

# #3 & #5 Preset Panning Rectangular

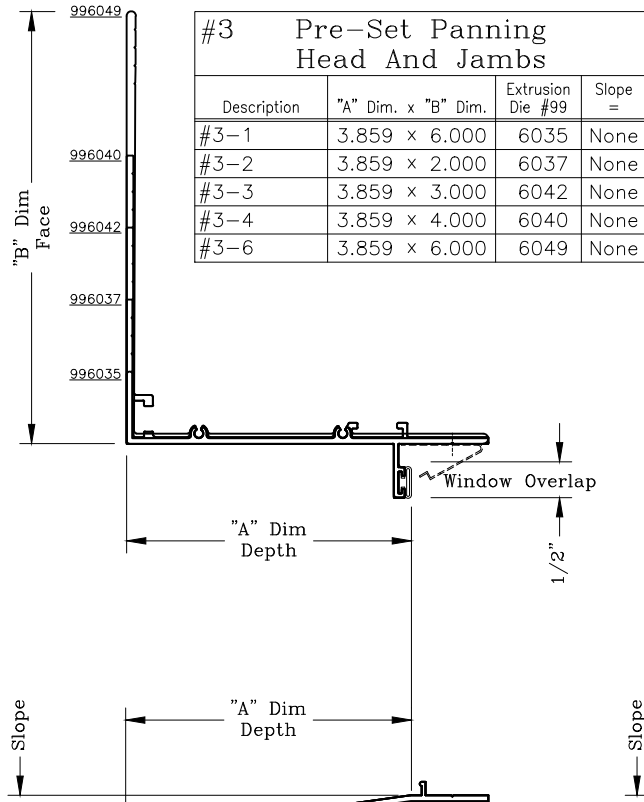


Series: Accessories Manufacturing Code: PPN01

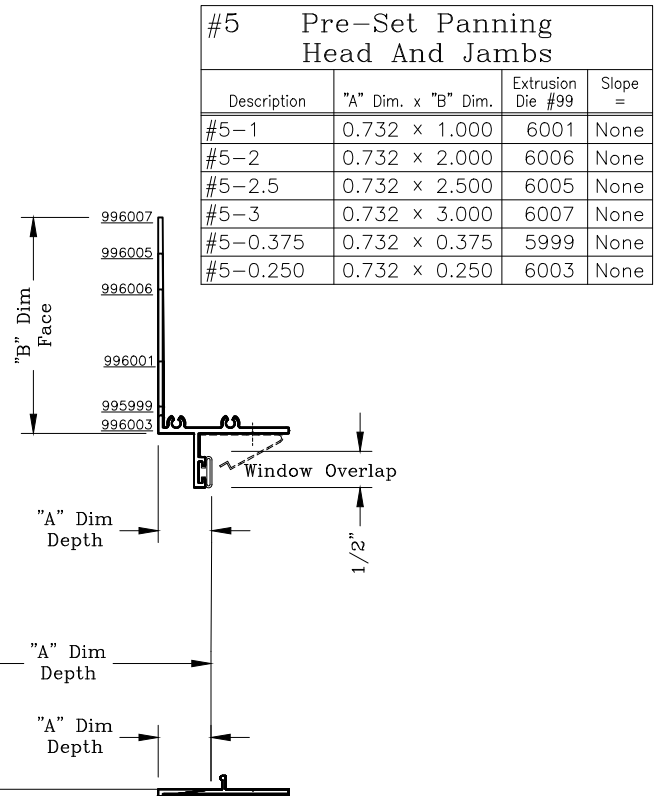
Drawing 3/8 Scale – For Custom Size Drawing Contact Graham

Note: Sealant Not Shown On Details. Refer To General Installation Instructions.

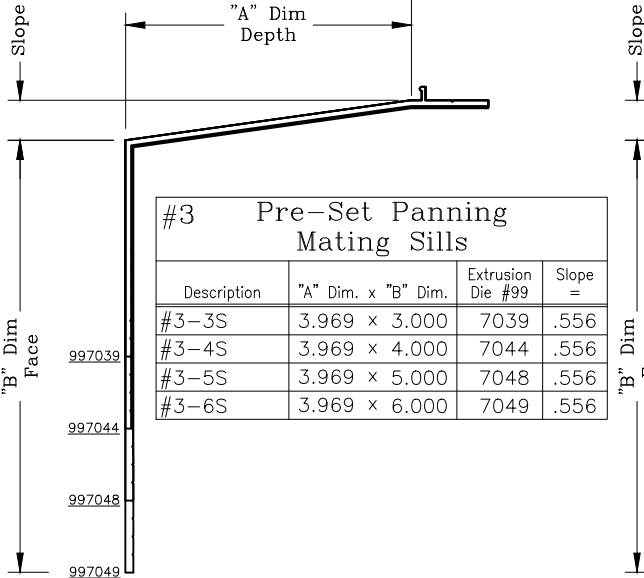
Note: Pre-Set Panning Requires The Use Of Equal Leg Sill On Window  
Some Pre-Set Panning Require The Use Of Mechanical Corner Keys For  
Mitered Assembly. Reference Sheet PPN.CK For Representative Corner Detail.



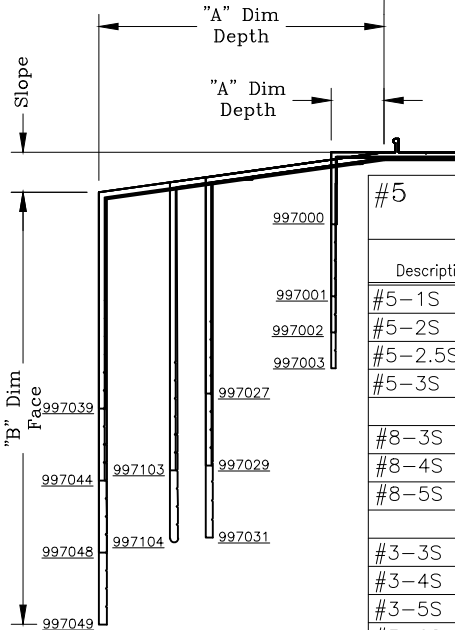
| #3 Pre-Set Panning Head And Jamb |                     |                   |         |
|----------------------------------|---------------------|-------------------|---------|
| Description                      | "A" Dim. x "B" Dim. | Extrusion Die #99 | Slope = |
| #3-1                             | 3.859 x 6.000       | 6035              | None    |
| #3-2                             | 3.859 x 2.000       | 6037              | None    |
| #3-3                             | 3.859 x 3.000       | 6042              | None    |
| #3-4                             | 3.859 x 4.000       | 6040              | None    |
| #3-6                             | 3.859 x 6.000       | 6049              | None    |



| #5 Pre-Set Panning Head And Jamb |                     |                   |         |
|----------------------------------|---------------------|-------------------|---------|
| Description                      | "A" Dim. x "B" Dim. | Extrusion Die #99 | Slope = |
| #5-1                             | 0.732 x 1.000       | 6001              | None    |
| #5-2                             | 0.732 x 2.000       | 6006              | None    |
| #5-2.5                           | 0.732 x 2.500       | 6005              | None    |
| #5-3                             | 0.732 x 3.000       | 6007              | None    |
| #5-0.375                         | 0.732 x 0.375       | 5999              | None    |
| #5-0.250                         | 0.732 x 0.250       | 6003              | None    |



| #3 Pre-Set Panning Mating Sills |                     |                   |         |
|---------------------------------|---------------------|-------------------|---------|
| Description                     | "A" Dim. x "B" Dim. | Extrusion Die #99 | Slope = |
| #3-3S                           | 3.969 x 3.000       | 7039              | .556    |
| #3-4S                           | 3.969 x 4.000       | 7044              | .556    |
| #3-5S                           | 3.969 x 5.000       | 7048              | .556    |
| #3-6S                           | 3.969 x 6.000       | 7049              | .556    |



| #5 Pre-Set Panning Mating Sills |                     |                   |         |
|---------------------------------|---------------------|-------------------|---------|
| Description                     | "A" Dim. x "B" Dim. | Extrusion Die #99 | Slope = |
| #5-1S                           | 0.750 x 1.000       | 7000              | NONE    |
| #5-2S                           | 0.750 x 2.000       | 7001              | NONE    |
| #5-2.5S                         | 0.750 x 2.500       | 7002              | NONE    |
| #5-3S                           | 0.750 x 3.000       | 7003              | NONE    |
| #8-3S                           | 2.488 x 3.000       | 7027              | .348    |
| #8-4S                           | 2.488 x 4.000       | 7029              | .348    |
| #8-5S                           | 2.488 x 5.000       | 7031              | .348    |
| #3-3S                           | 3.969 x 3.000       | 7039              | .556    |
| #3-4S                           | 3.969 x 4.000       | 7044              | .556    |
| #3-5S                           | 3.969 x 5.000       | 7048              | .556    |
| #3-6S                           | 3.969 x 6.000       | 7049              | .556    |
| DEL-4S                          | 2.983 x 4.000       | 7103              | .417    |
| DEL-5S                          | 2.983 x 5.000       | 7104              | .417    |

Graham Architectural Products reserves the right to change, add, cancel, remove or otherwise modify the details illustrated without prior notice.

1551 Mt. Rose Avenue, York, Pennsylvania 17403-2909 800/755-6274 Fax: 800/366-5097

0522 - PPN.01

Web Site: www.grahamwindows.com