

# Post Set Panning

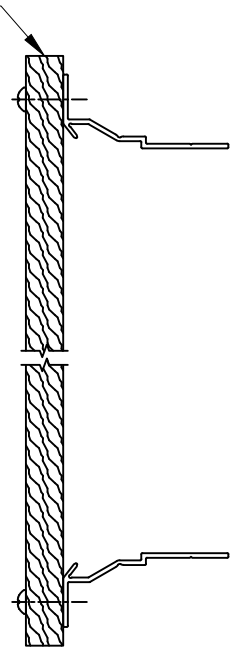


Series: Manufacturing Code: PST03

Drawing 3/8 Scale – For Custom Size Drawing Contact Graham

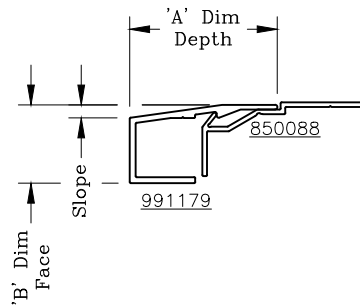
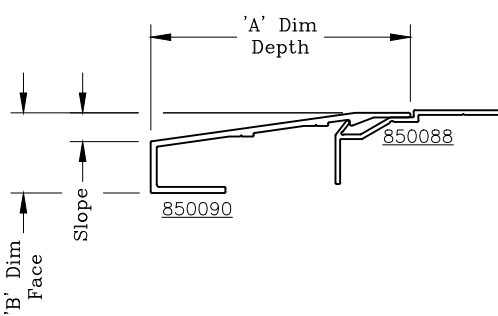
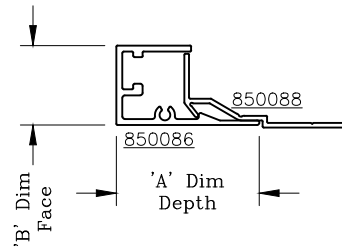
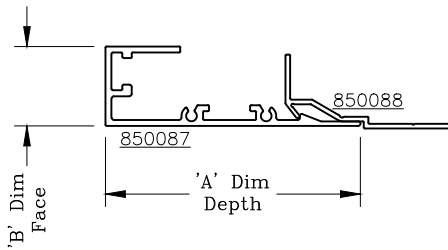
Note: Sealant Not Shown On Details. Refer To General Installation Instructions.

Sheathing, Not By Graham,  
Can Be Attached To Clips  
Prior To Panning Installation  
For Window Protection  
During Ongoing Construction



Wareham Large Post-Set Panning Head And Jambs		
Description	'A' Dim X 'B' Dim	Slope
Wareham Large	3.413 X 1.062	-

Wareham Small Post-Set Panning Head And Jambs		
Description	'A' Dim X 'B' Dim	Slope
Wareham Small	1.913 X 1.062	-



Wareham Large Post-Set Panning Mating Sill		
Description	'A' Dim X 'B' Dim	Slope
Wareham Large	3.475 X 1.072	.384

Wareham Small Post-Set Panning Mating Sill		
Description	'A' Dim X 'B' Dim	Slope
Wareham Small	1.975 X 1.047	.174

Graham Architectural Products reserves the right to change, add, cancel, remove or otherwise modify the details illustrated without prior notice.

1551 Mt. Rose Avenue, York, Pennsylvania 17403-2909 800/755-6274 Fax: 800/366-5097

Web Site: [www.grahamwindows.com](http://www.grahamwindows.com)

0522 - PST.03