

Sliding Glass Door - 4"

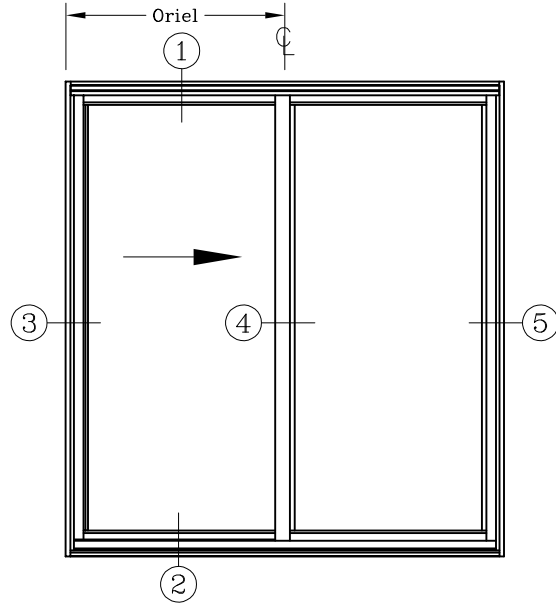
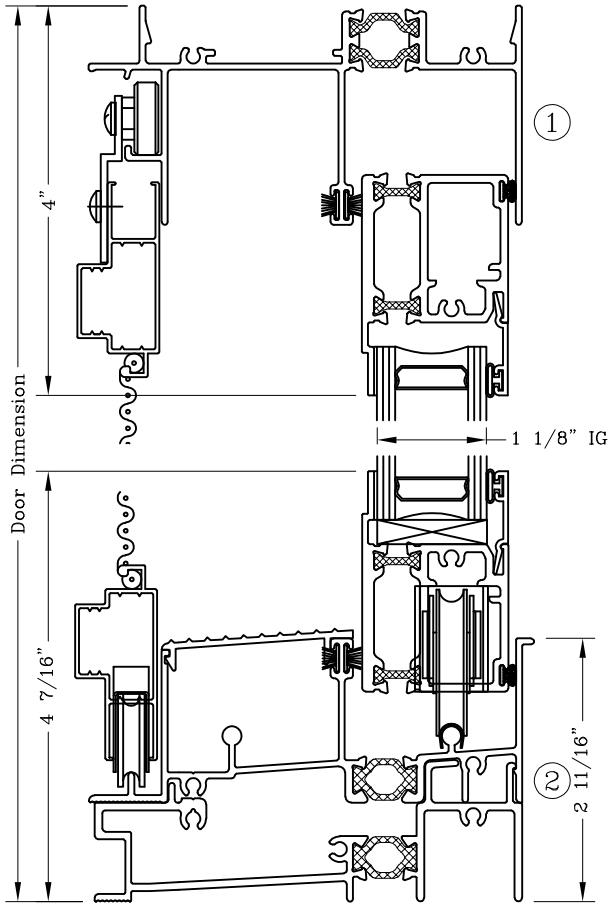


Series: S0900

Manufacturing Code: S0901

Drawing 1/2 Scale - For Custom Size Drawing Contact Graham

Note: Sealant Not Shown On Details. Consult Technical Services At Factory For Sealing Procedures.



ELEVATION

XO - Shown
OX - Opposite

Note:
Pull Hardware Default Color Is Black.

