

# Sliding Glass Door - 4"

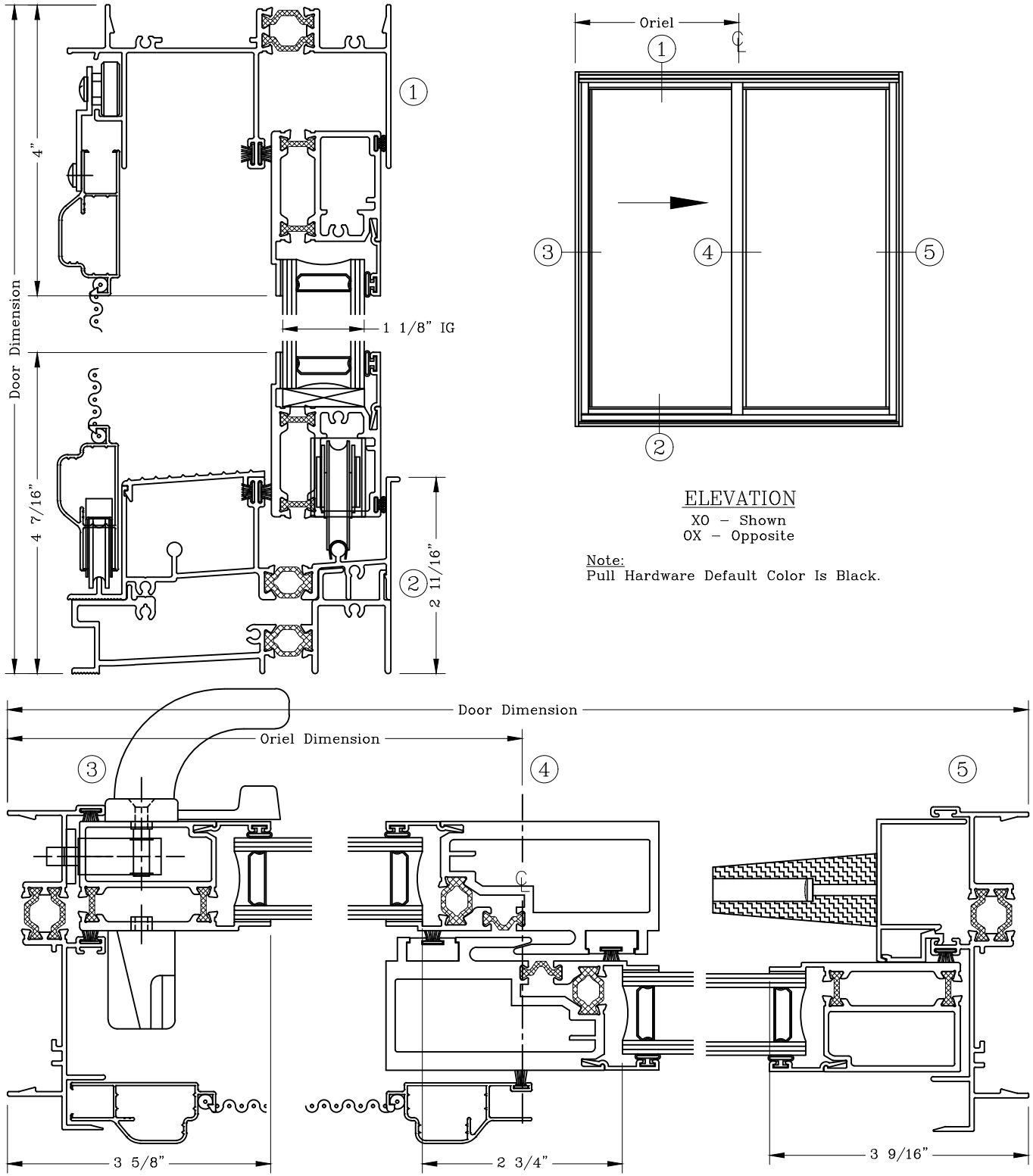


Series: S0900

Manufacturing Code: S0901

Drawing 1/2 Scale - For Custom Size Drawing Contact Graham

Note: Sealant Not Shown On Details. Consult Technical Services At Factory For Sealing Procedures.



**ELEVATION**

XO - Shown  
OX - Opposite

Note:  
Pull Hardware Default Color Is Black.

Graham Architectural Products reserves the right to change, add, cancel, remove or otherwise modify the details illustrated without prior notice.

1551 Mt. Rose Avenue, York, Pennsylvania 17403-2909 800/755-6274 Fax: 800/366-5097

Web Site: [www.grahamwindows.com](http://www.grahamwindows.com)

0522 - S09.01