

Sliding Glass Door - 4"

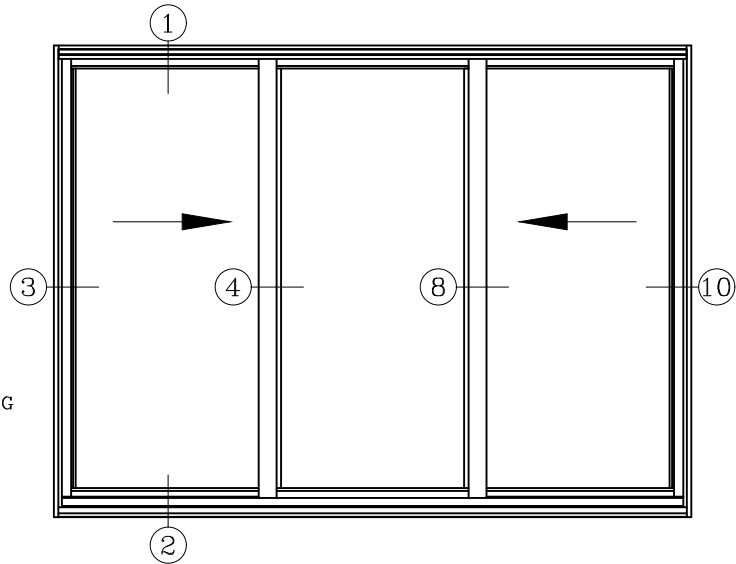
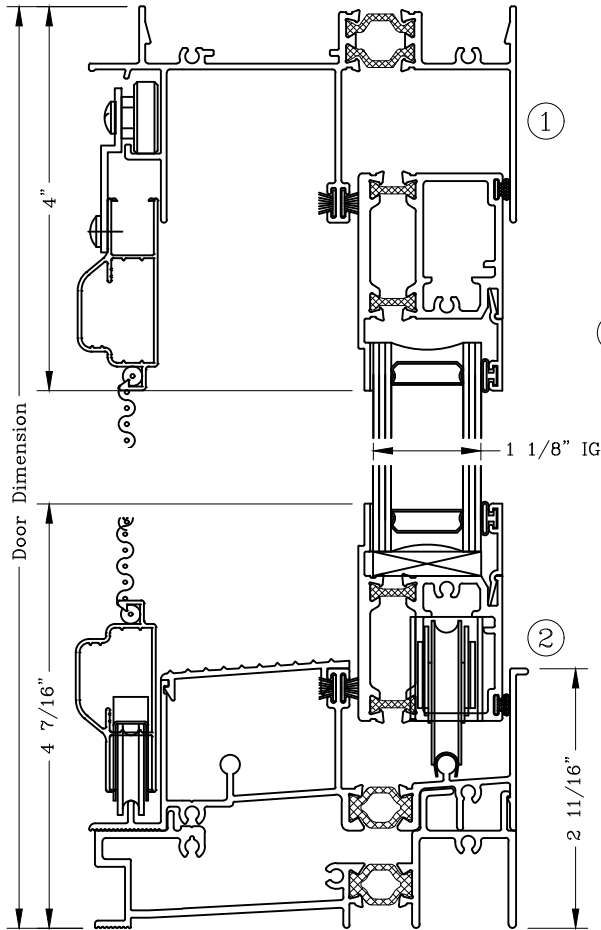


Series: S0900

Manufacturing Code: S0902

Drawing 1/2 Scale - For Custom Size Drawing Contact Graham

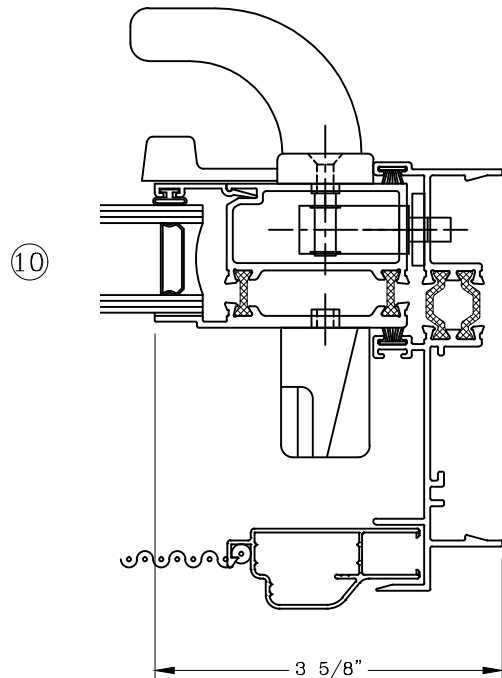
Note: Sealant Not Shown On Details. Refer To General Installation Instructions At Factory For Sealing Procedures.



ELEVATION
XOX

Note:

1. Reference Page S09.01 For Details #3, and #4.
2. Reference Page S09.04 For Details #8.
3. Pull Hardware Default Color Is Black.



Graham Architectural Products reserves the right to change, add, cancel, remove or otherwise modify the details illustrated without prior notice.

1551 Mt. Rose Avenue, York, Pennsylvania 17403-2909 800/755-6274 Fax: 800/366-5097

Web Site: www.grahamwindows.com

0522 - S09.02