

Sliding Glass Door - 4"

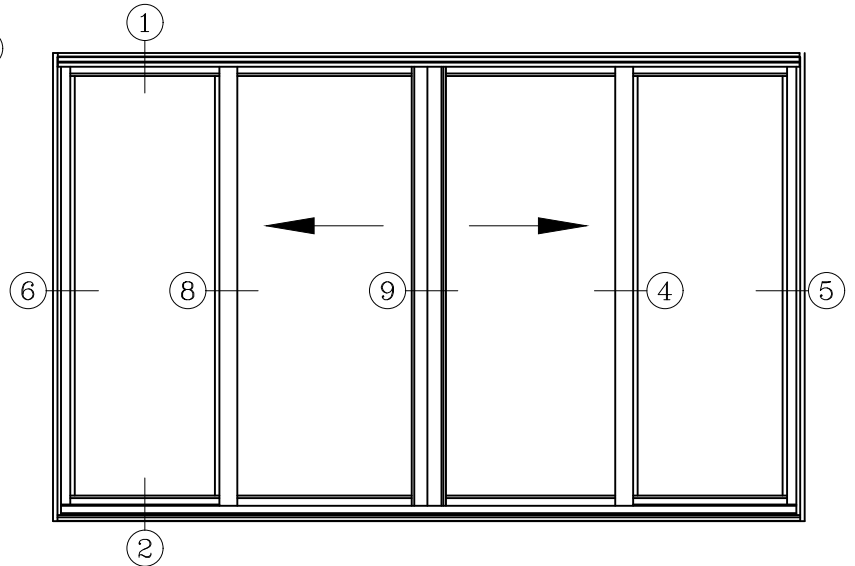
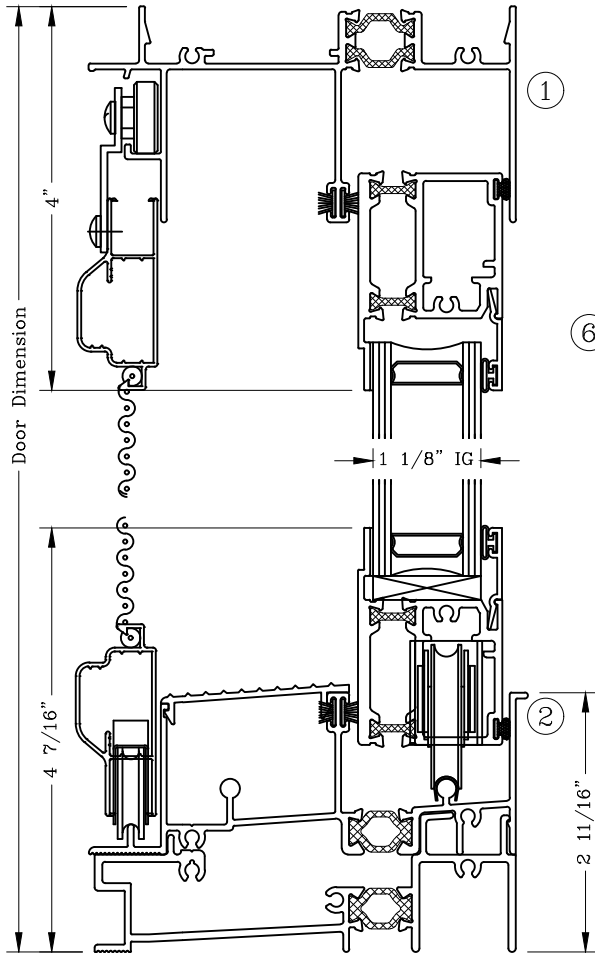


Series: S0900

Manufacturing Code: S0904

Drawing 1/2 Scale - For Custom Size Drawing Contact Graham

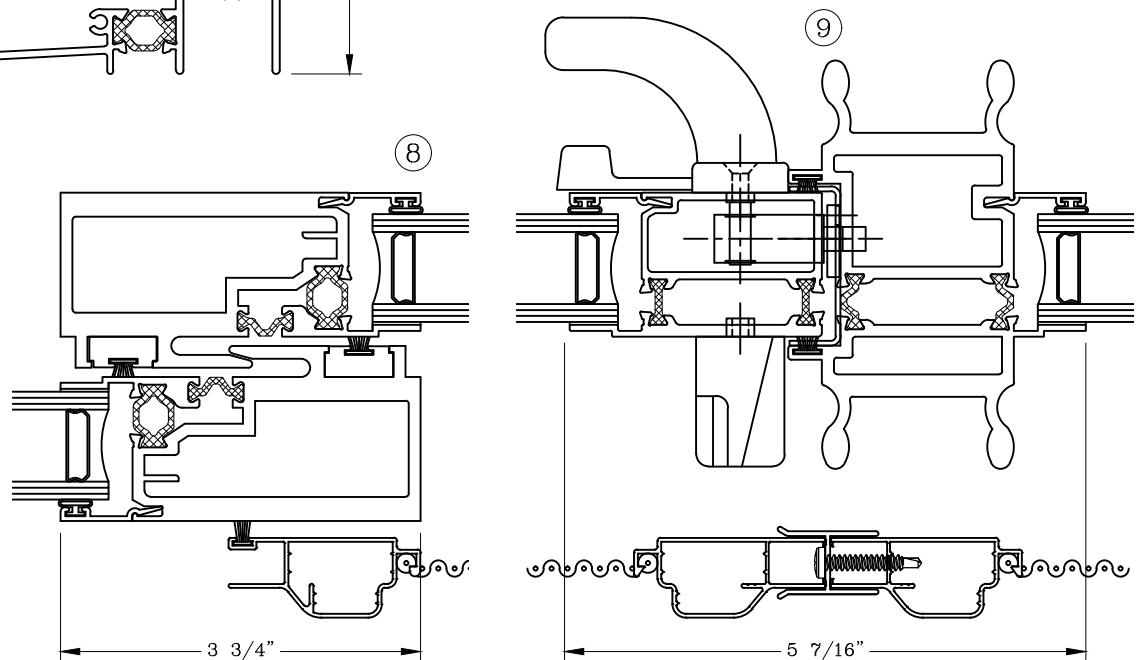
Note: Sealant Not Shown On Details. Refer To General Details At Factory For Sealing Procedures.



ELEVATION
OXXO

Note:

1. Reference Page S09.01 For Details #4, and #5.
2. Reference Page S09.03 For Details #6.
3. Pull Hardware Default Color Is Black.



Graham Architectural Products reserves the right to change, add, cancel, remove or otherwise modify the details illustrated without prior notice.

1551 Mt. Rose Avenue, York, Pennsylvania 17403-2909 800/755-6274 Fax: 800/366-5097

0522 - S09.04

Web Site: www.grahamwindows.com