

Sliding Glass Door - 4" Frame Options

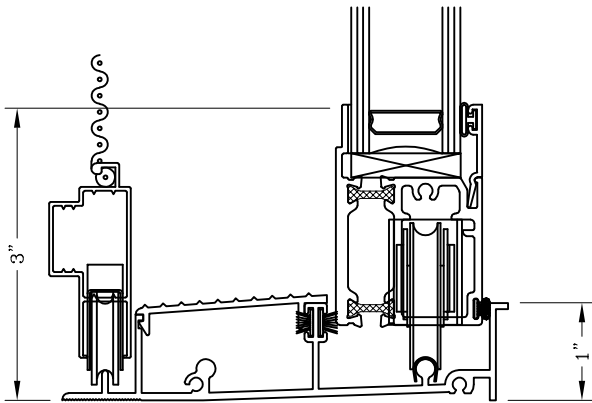


Series: S0900

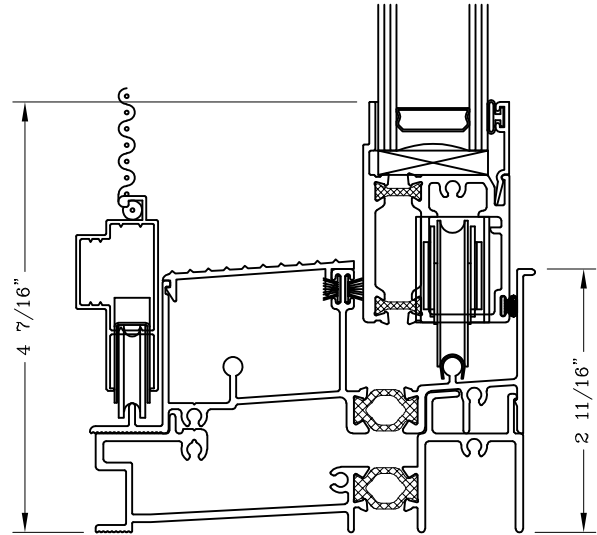
Manufacturing Code: S0910

Drawing 1/2 Scale - For Custom Size Drawing Contact Graham

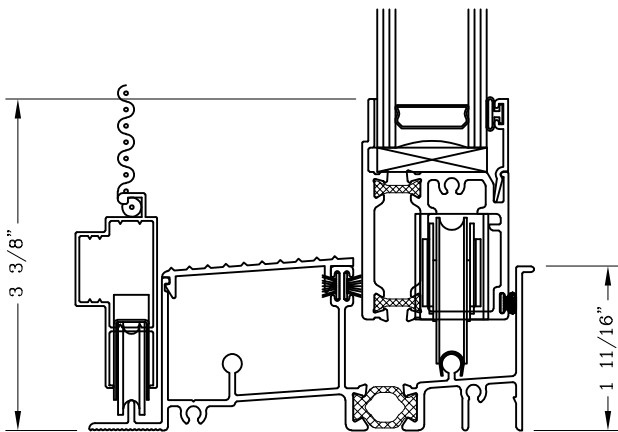
Note: Sealant Not Shown On Details. Consult Technical Services At Factory For Sealing Procedures.



Low Sill
P/N 090025

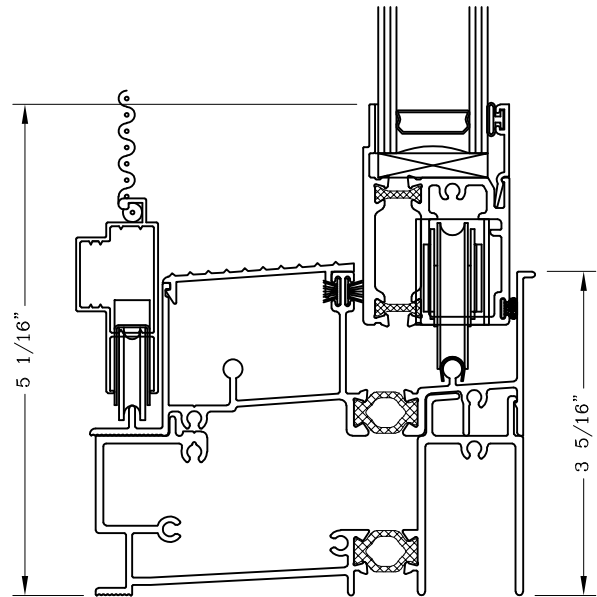


#10 WTP Sill
P/N 090326



#5.00 WTP Sill
P/N 090325

Note:
Optional #5.00 WTP Sill Does Not Meet HC-50 Water
Resistance Test.



#12 WTP Sill
P/N 090327