

Sliding Glass Door – 4” Frame Options

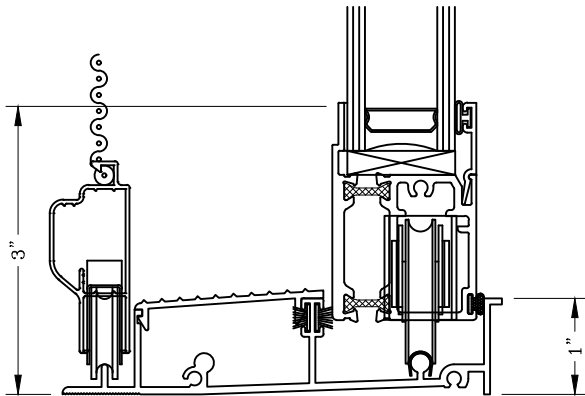


Series: S0900

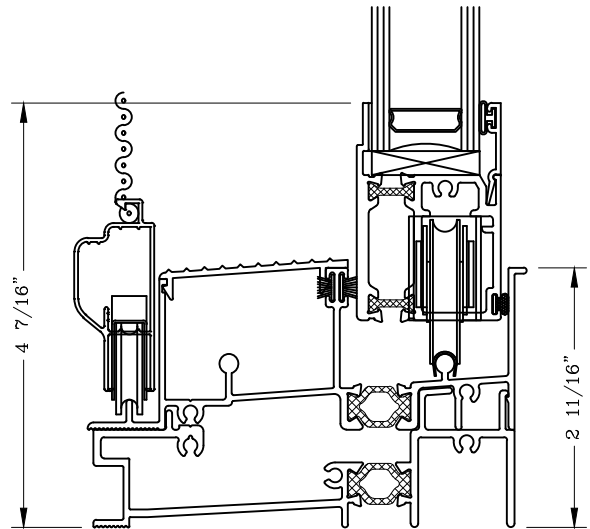
Manufacturing Code: S0910

Drawing 1/2 Scale – For Custom Size Drawing Contact Graham

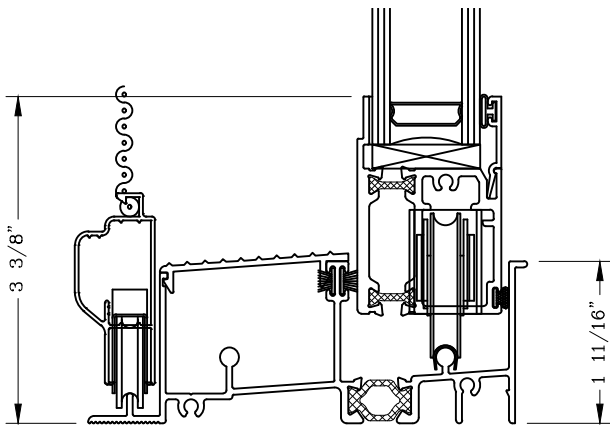
Note: Sealant Not Shown On Details. Refer To Technical Installation Instructions For Sealing Procedures.



Low Sill
P/N 090025

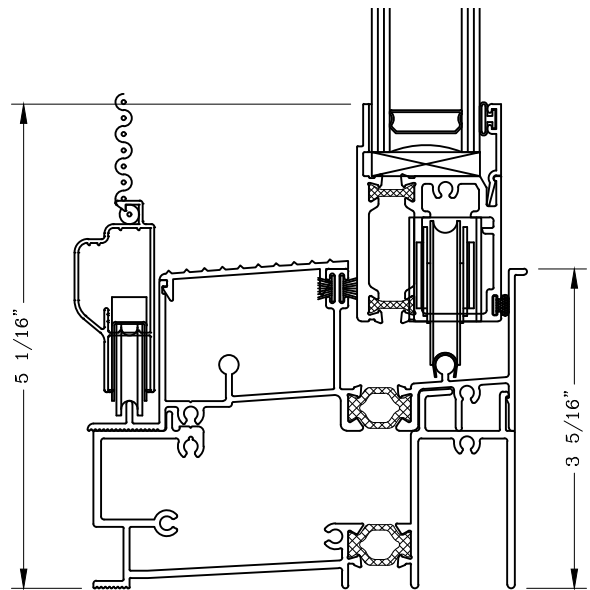


#10 WTP Sill
P/N 090326



#5.00 WTP Sill
P/N 090325

Note:
Optional #5.00 WTP Sill Does Not Meet HC-50 Water
Resistance Test.



#12 WTP Sill
P/N 090327

Graham Architectural Products reserves the right to change, add, cancel, remove or otherwise modify the details illustrated without prior notice.

1551 Mt. Rose Avenue, York, Pennsylvania 17403-2909 800/755-6274 Fax: 800/366-5097

Web Site: www.grahamwindows.com

0522 – S09.10