

# Fixed Historic - 4"

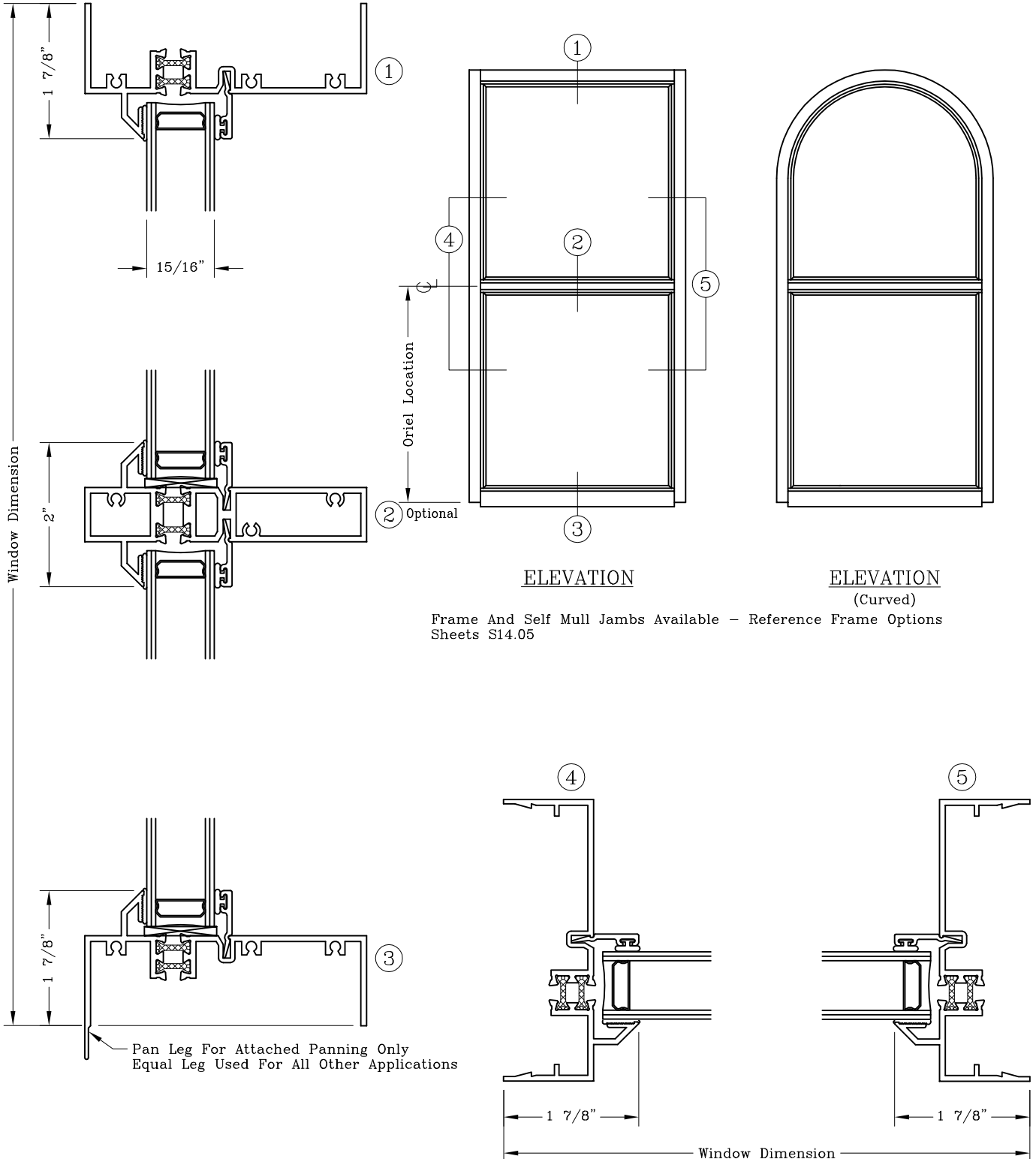


Series: S1400

Manufacturing Code: S1401

Drawing 1/2 Scale - For Custom Size Drawing Contact Graham

Note: Sealant Not Shown On Details. Refer To General Installation Instructions.



# Fixed Historic - 4" Frame Options

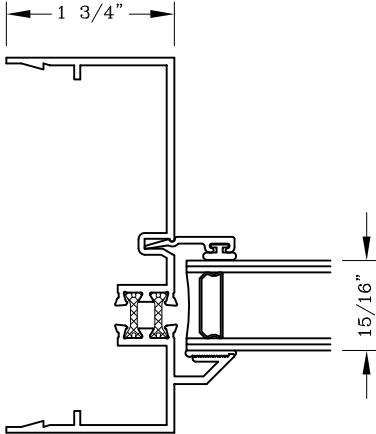


Series: S1400

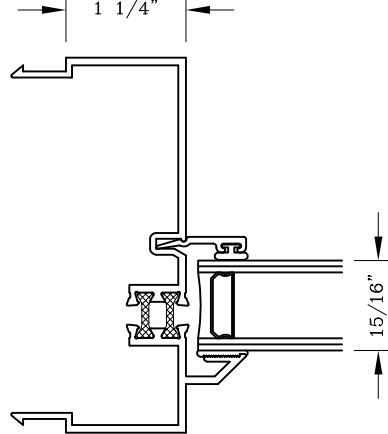
Manufacturing Code: S1405

Drawing 1/2 Scale - For Custom Size Drawing Contact Graham

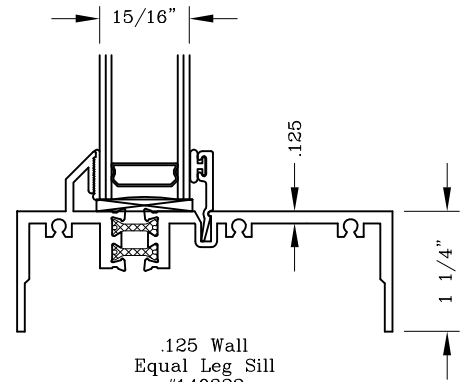
Note: Sealant Not Shown On Details. Refer To General Installation Instructions.



.080 Wall  
Extended Frame  
#140336



.080 Wall  
Self Mull Frame  
#140337



.125 Wall  
Equal Leg Sill  
#140322

# Fixed Historic - 4"

## Glazing Options

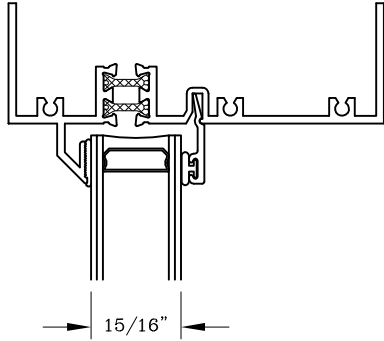


Series: S1400

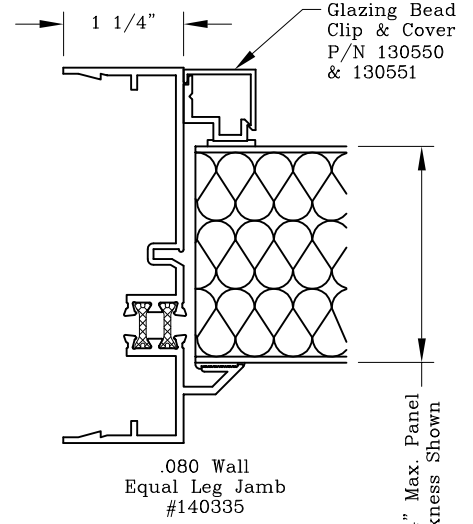
Manufacturing Code: S1406

Drawing 1/2 Scale - For Custom Size Drawing Contact Graham

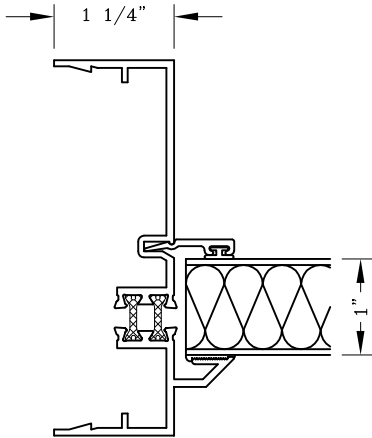
Note: Sealant Not Shown On Details. Refer To General Installation Instructions.



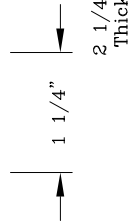
15/16" IG  
Glazing Bead  
#200090



.080 Wall  
Equal Leg Jamb  
#140335



.080 Wall  
Equal Leg Jamb  
#140335

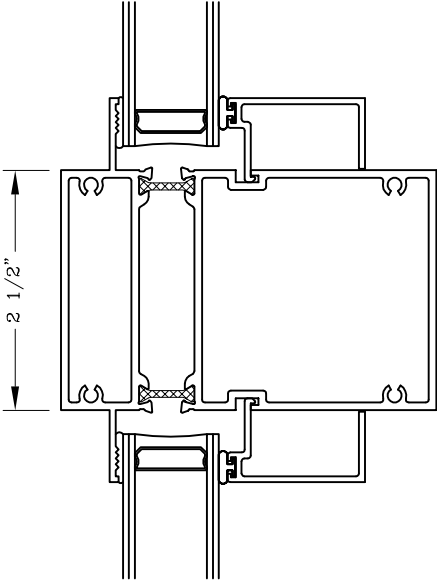


# Fixed Historic – 4” Intermediate Options

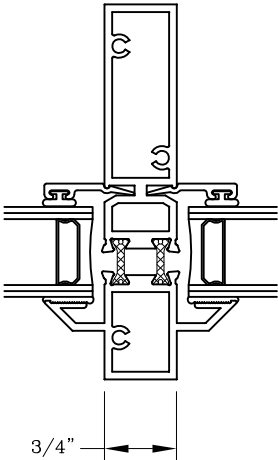


Series: S1400                      Manufacturing Code: S1407  
Drawing 1/2 Scale – For Custom Size Drawing Contact Graham

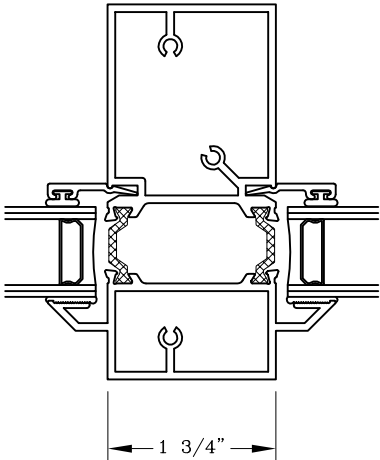
Note: Sealant Not Shown On Details. Refer To General Installation Instructions.



Horizontal Intermediate  
#140533



Vertical Intermediate  
#140339



Vertical Intermediate  
#140340

# Fixed Offset - 4"

## 1 1/4" IG

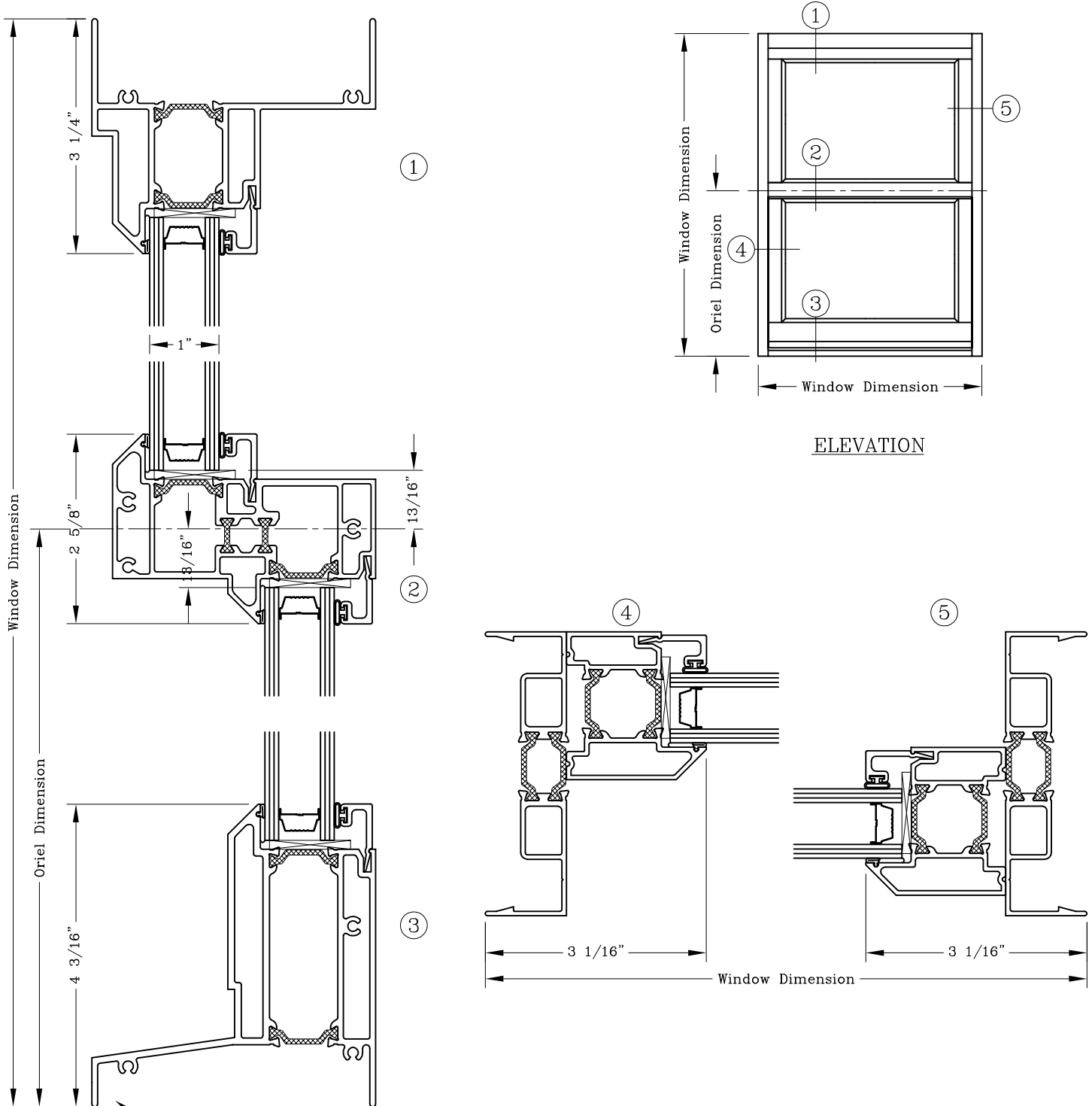


Series: S1400H

Manufacturing Code: S1408

Drawing 1/2 Scale - For Custom Size Drawing Contact Graham

Note: Sealant Not Shown On Details. Refer To General Installation Instructions.



Equal Leg Shown  
 Panning Leg Sill Available For Attached  
 Panning Applications

# Fixed Offset – 4” Glazing and Grid Options

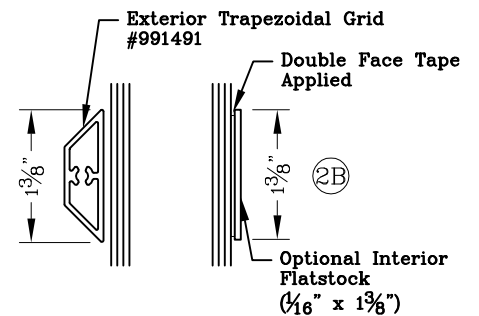
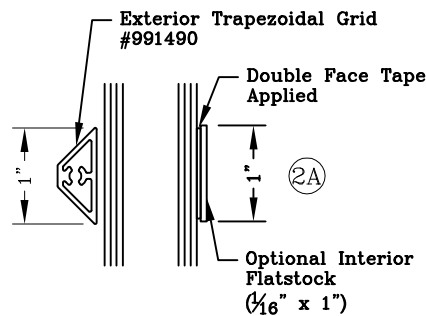
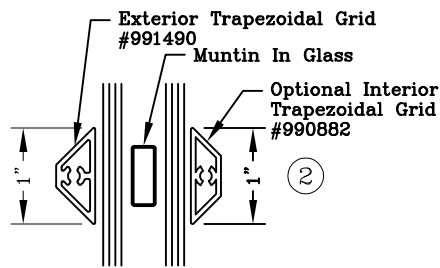
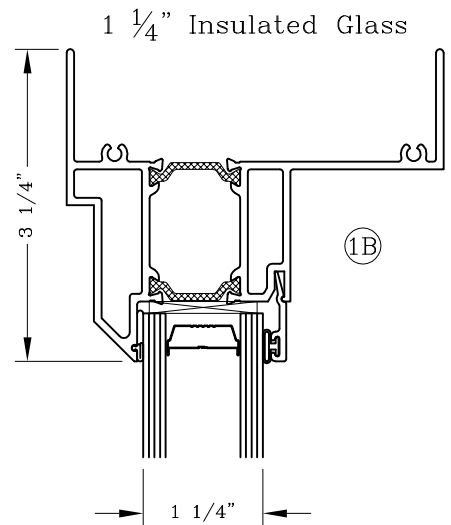
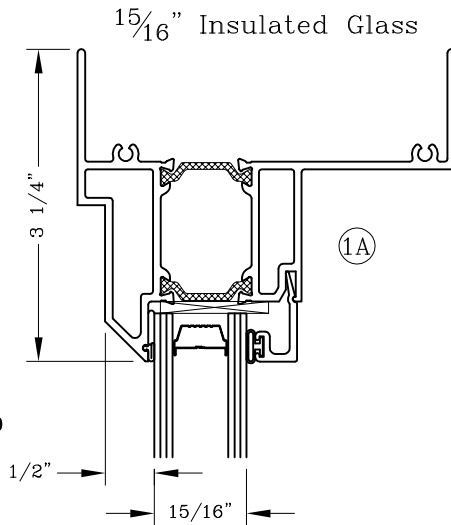
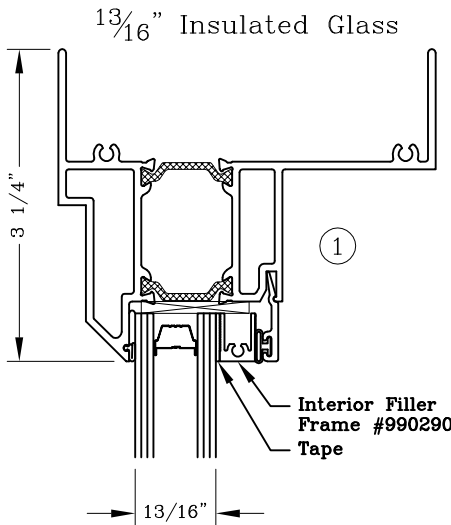
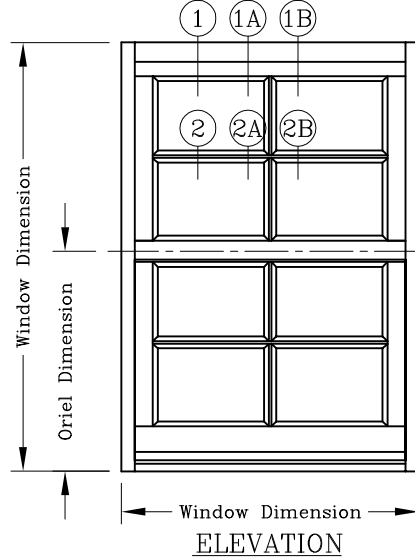


Series: S1400H

Manufacturing Code: S1409

Drawing 1/2 Scale – For Custom Size Drawing Contact Graham

Note: Sealant Not Shown On Details. Refer To General Installation Instructions.



Triple Grid  
(1" Applied Grid  
/MIG/  
1" Applied Grid)

1" Applied Grid

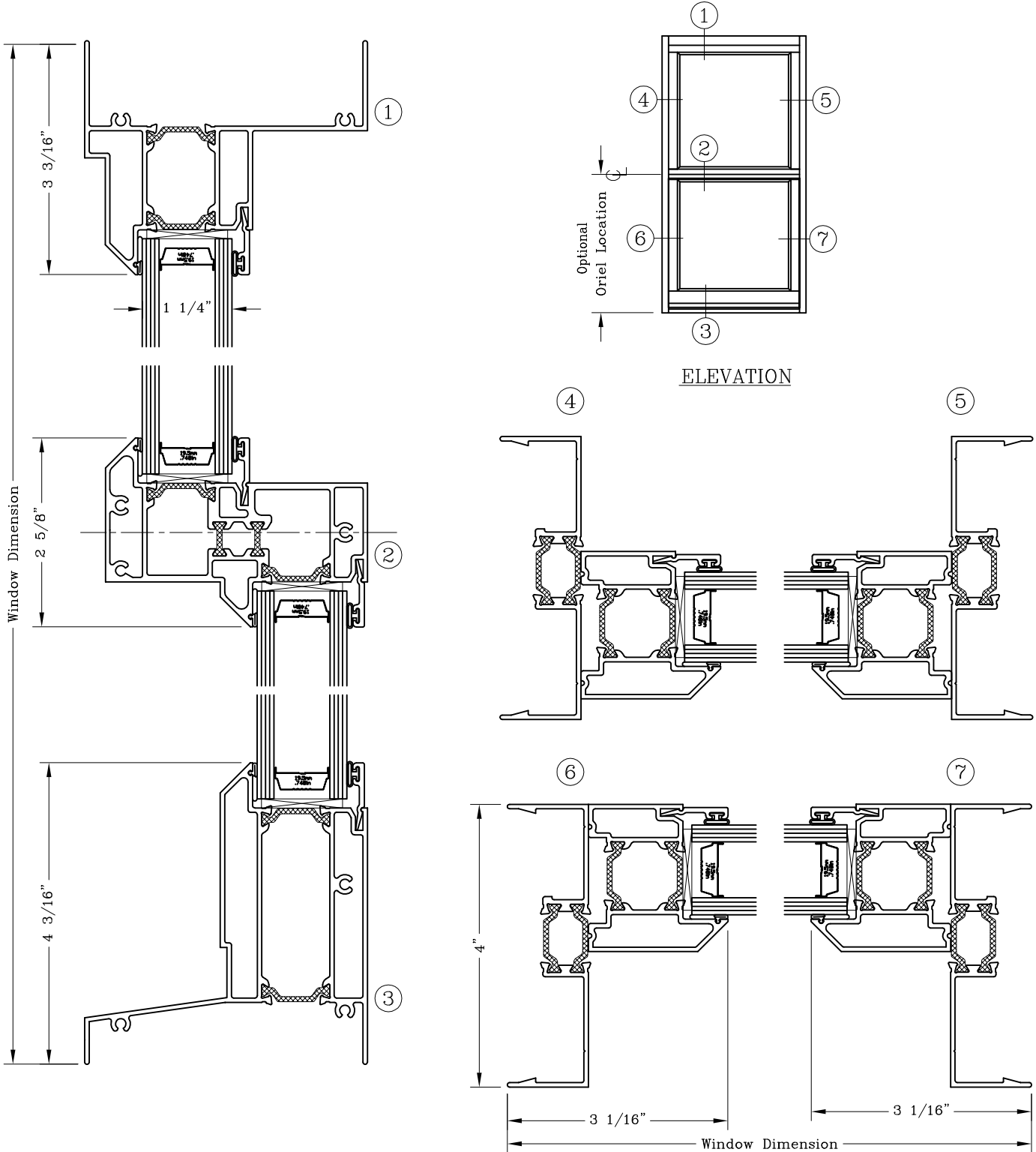
1 3/8" Applied Grid

Fixed Offset – 4”  
1 1/4” IG



Series: S1400H      Manufacturing Code: S1410  
Drawing 1/2 Scale – For Custom Size Drawing Contact Graham

Note: Sealant Not Shown On Details. Refer To General Installation Instructions.



Fixed Offset - 4"

1 1/4" IG

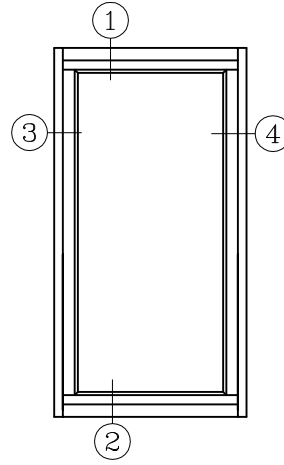
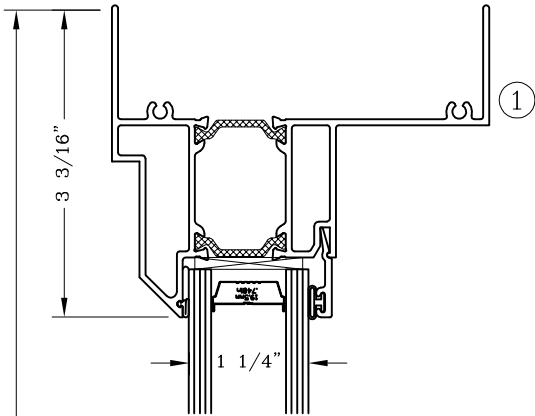
Single Plane

Series: S1400H

Manufacturing Code: S1411

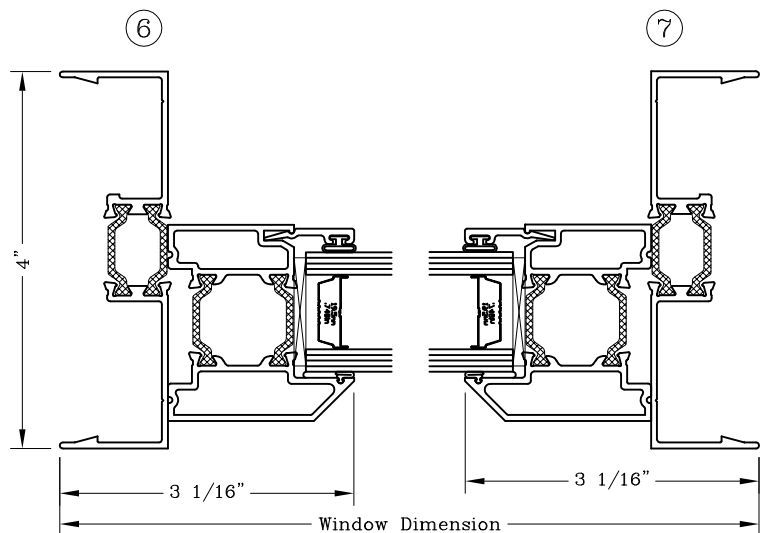
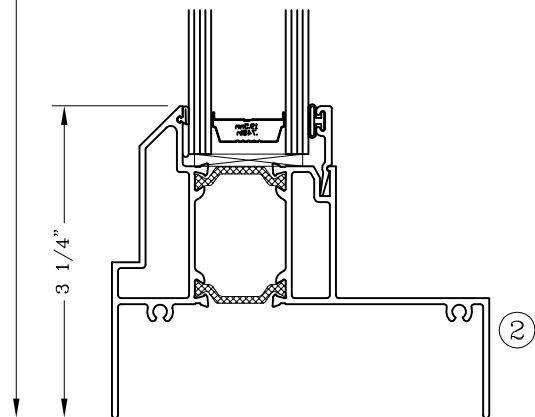
Drawing 1/2 Scale - For Custom Size Drawing Contact Graham

Note: Sealant Not Shown On Details. Refer To General Installation Instructions.



ELEVATION

Window Dimension





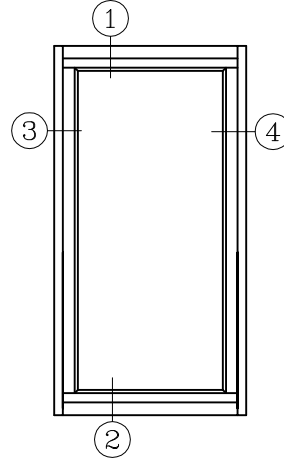
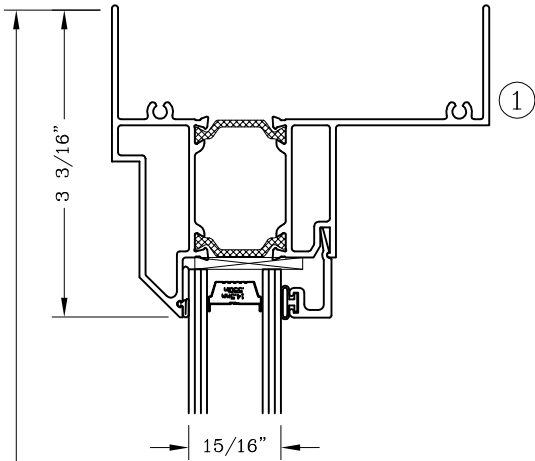
Fixed Offset - 4"  
 15/16" IG  
 Single Plane  
 Series: S1400H



Manufacturing Code: S1412

Drawing 1/2 Scale - For Custom Size Drawing Contact Graham

Note: Sealant Not Shown On Details. Refer To General Installation Instructions.



ELEVATION

Window Dimension

