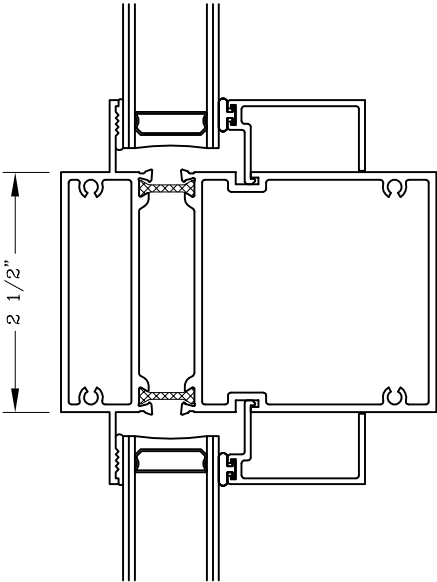


Fixed Historic – 4” Intermediate Options

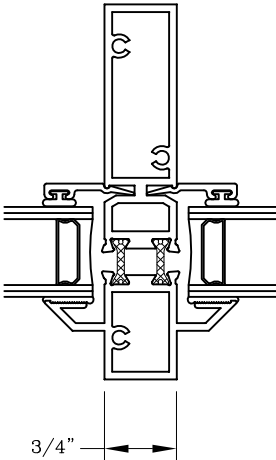


Series: S1400 Manufacturing Code: S1407
Drawing 1/2 Scale – For Custom Size Drawing Contact Graham

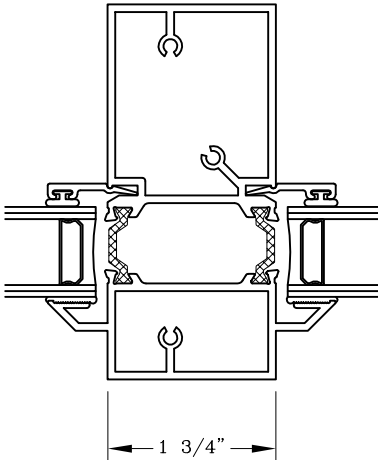
Note: Sealant Not Shown On Details. Refer To General Installation Instructions.



Horizontal Intermediate
#140533



Vertical Intermediate
#140339



Vertical Intermediate
#140340