

# Fixed Historic – 4” Intermediate Options

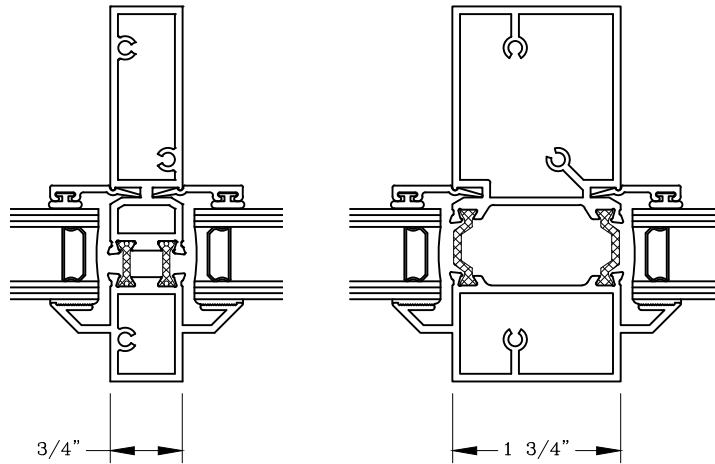


Series: S1400

Manufacturing Code: S1407

Drawing 1/2 Scale – For Custom Size Drawing Contact Graham

Note: Sealant Not Shown On Details. Refer To General Installation Instructions.



Vertical Intermediate  
#140339

Vertical Intermediate  
#140340