

Fixed - Historic Offset - 4 1/2"

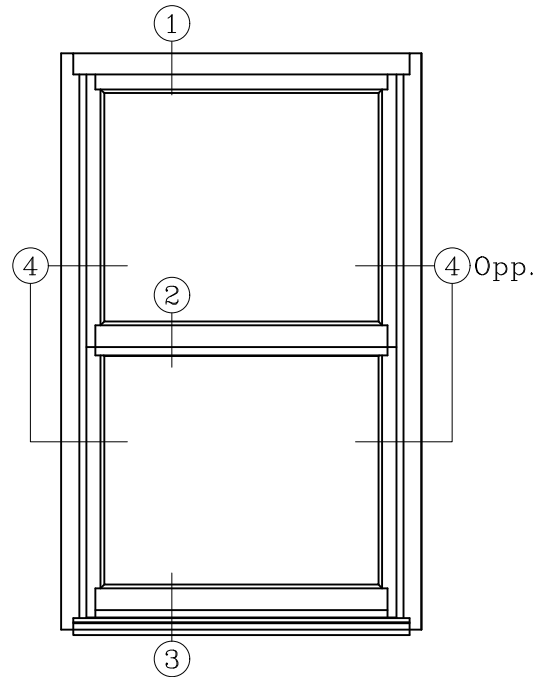
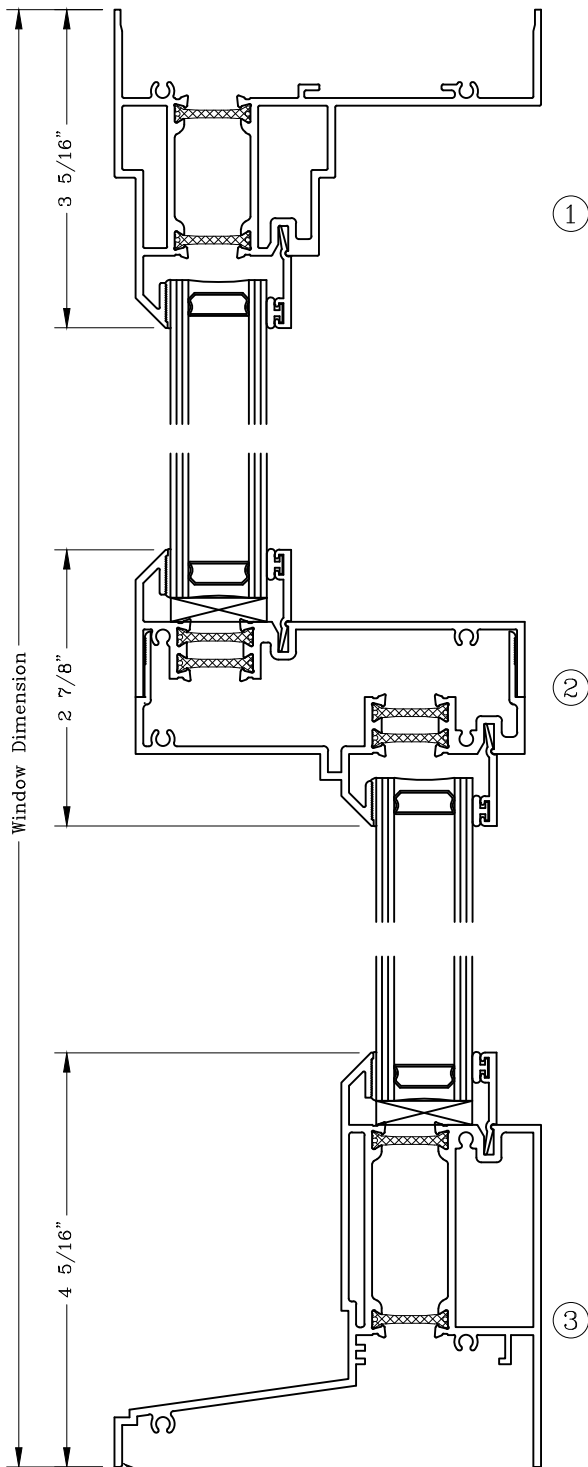


Series: S1500

Manufacturing Code: S1508

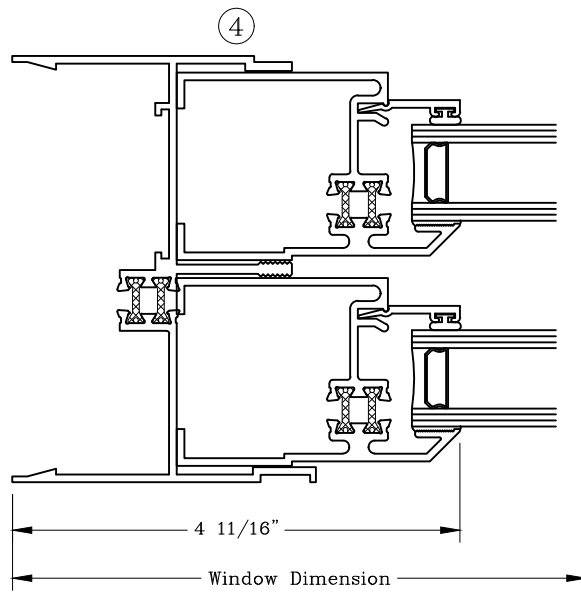
Drawing 1/2 Scale - For Custom Size Drawing Contact Graham

Note: Sealant Not Shown On Details. Refer To Technical Details At Factory For Sealing Procedures.



ELEVATION

Notes:
 Factory Assembled
 Frame Options Available Reference Sheet S15.05
 And S15.06



Equal Leg Sill Shown And Used
 For All Applications
 Except For Attached Panning

Graham Architectural Products reserves the right to change, add, cancel, remove or otherwise modify the details illustrated without prior notice.

1551 Mt. Rose Avenue, York, Pennsylvania 17403-2909 800/755-6274 Fax: 800/366-5097

Web Site: www.grahamwindows.com

0922 - S15.08