

Double Hung Side Load - 4"

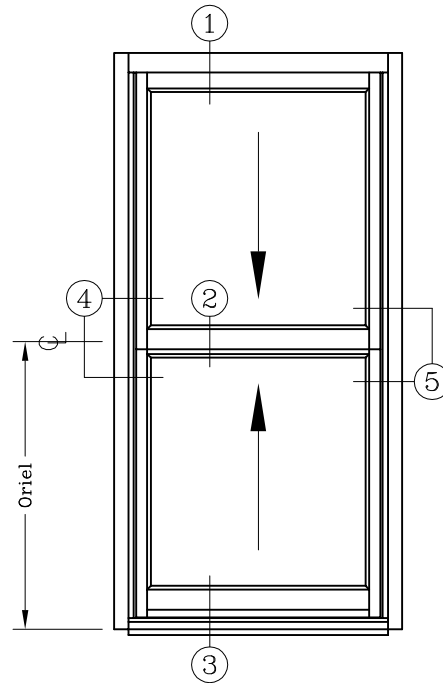
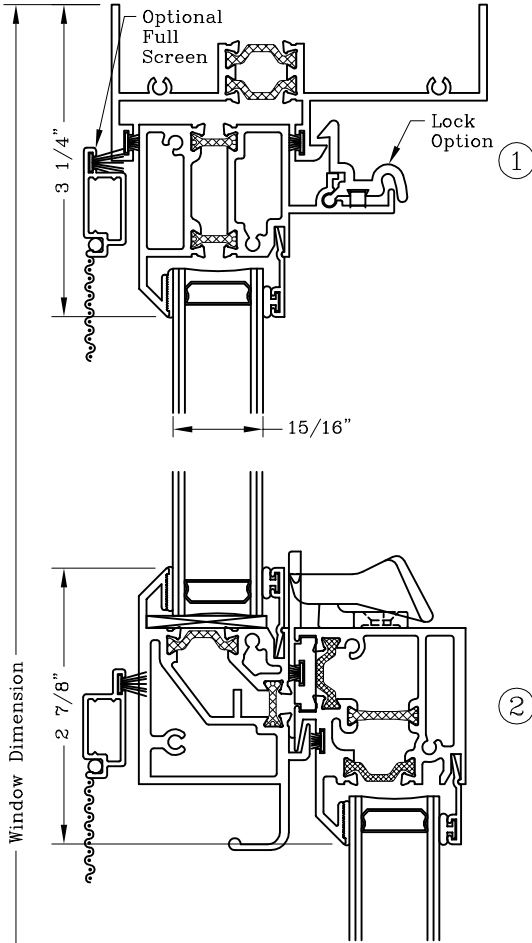


Series: S2200

Manufacturing Code: S2201

Drawing 1/2 Scale - For Custom Size Drawing Contact Graham

Note: Sealant Not Shown On Details. Consult Technical Services At Factory For Sealing Procedures.



ELEVATION

Jamb Style Shown For Block And Tackle Balance
Frame Options Available - Refer To Sheet S22.05

