

Frame Options - 4"

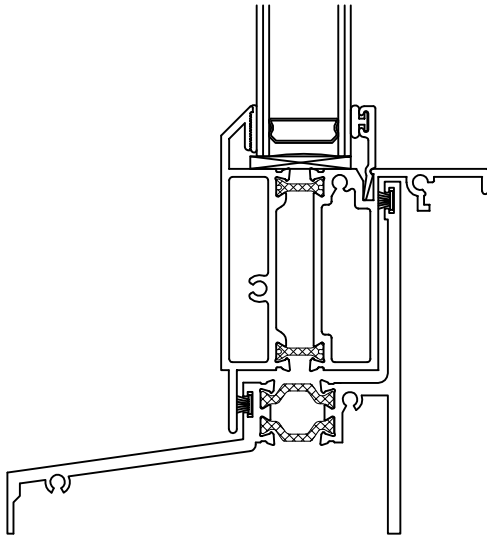


Series: S2200

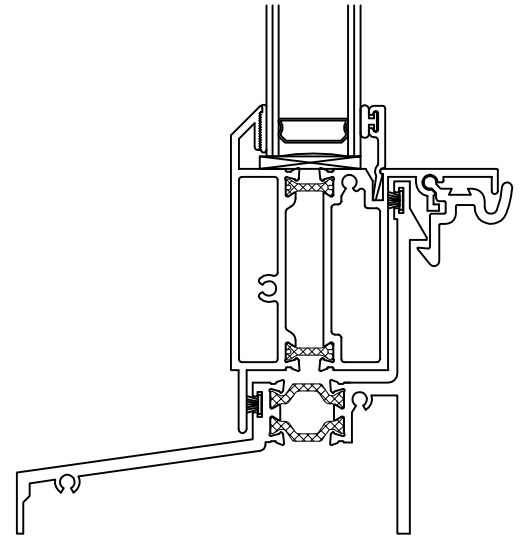
Manufacturing Code: S2206

Drawing 1/2 Scale - For Custom Size Drawing Contact Graham

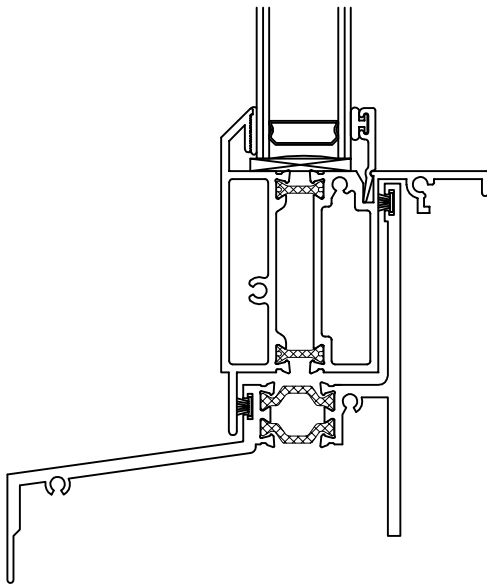
Note: Sealant Not Shown On Details. Consult Technical Services At Factory For Sealing Procedures.



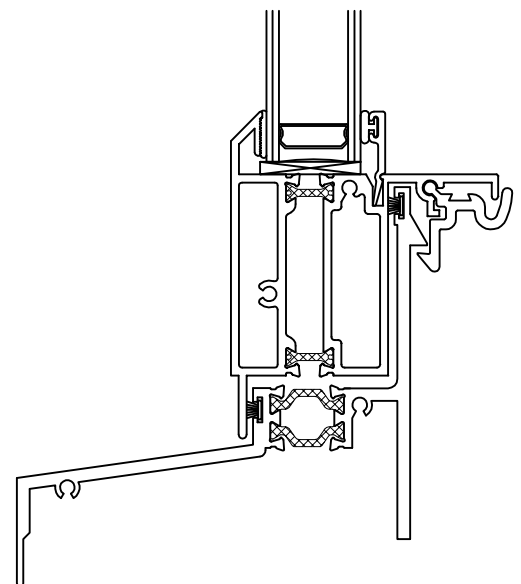
Double Hung Equal Leg Sill
#220524



Double Hung Equal Leg Sill
w/Spring Latch Barb
#220522



Double Hung Pan Leg Sill
#220521



Double Hung Pan Leg Sill
w/Spring Latch Barb
#220523