

# Glazing Options - 4"

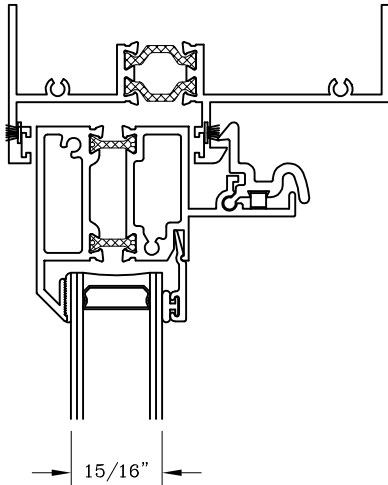


Series: S2200

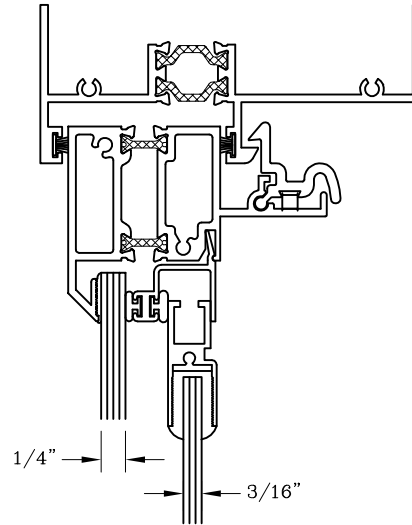
Manufacturing Code: S2208

Drawing 1/2 Scale - For Custom Size Drawing Contact Graham

Note: Sealant Not Shown On Details. Consult Technical Services At Factory For Sealing Procedures.



15/16" IG  
Glazing



1/4" Single Glaze w/ 3/16"  
Guardian  
Glazing