

# Double Hung Side Load - 4 1/2"

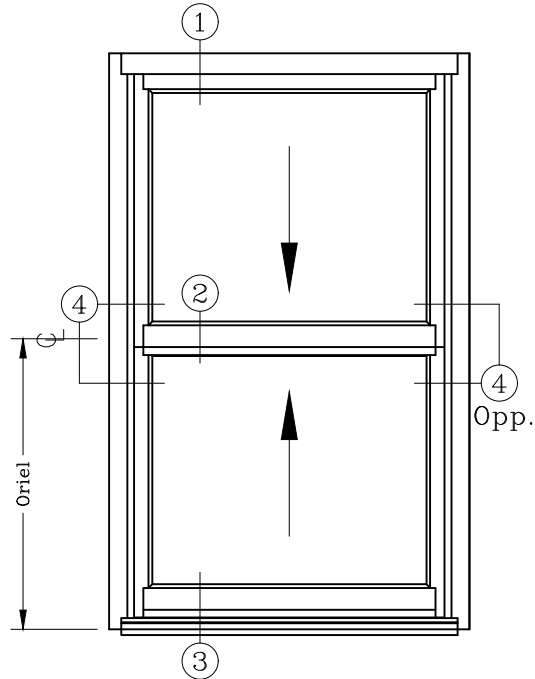
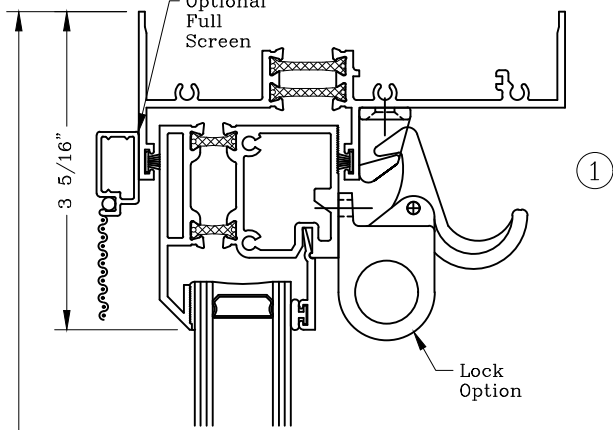


Series: S2500

Manufacturing Code: S2501

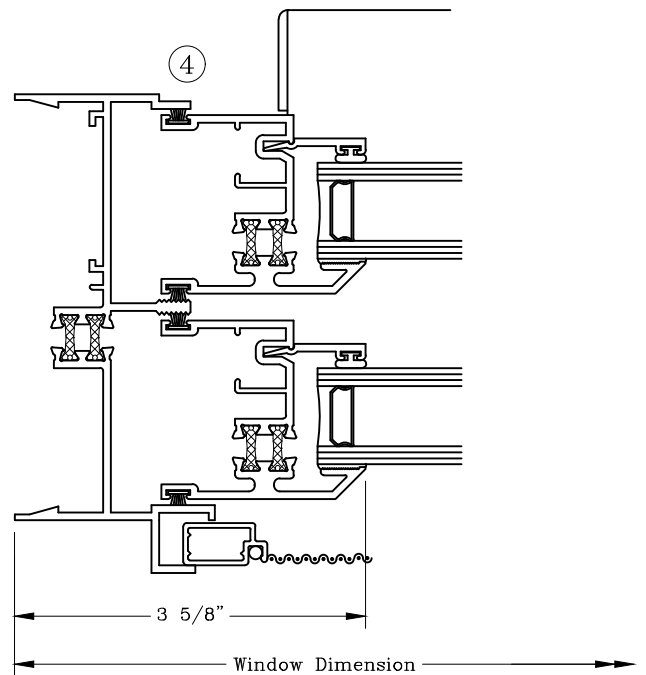
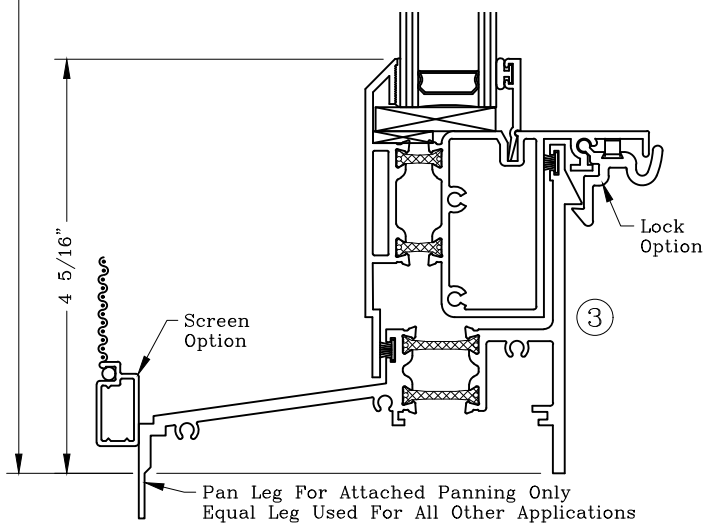
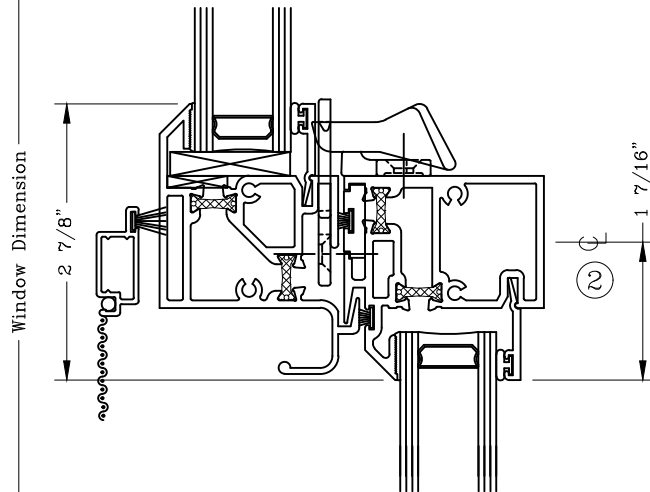
Drawing 1/2 Scale - For Custom Size Drawing Contact Graham

Note: Sealant Not Shown On Details. Refer To General Installation Instructions.



ELEVATION

For Frame Options Reference Sheet Starting At S25.07  
For Lock Options Reference Sheet S25.06



Graham Architectural Products reserves the right to change, add, cancel, remove or otherwise modify the details illustrated without prior notice.

1551 Mt. Rose Avenue, York, Pennsylvania 17403-2909 800/755-6274 Fax: 800/366-5097

0922 - S25.01

Web Site: www.grahamwindows.com

# Double Hung Side Load - 4 1/2" Astragal

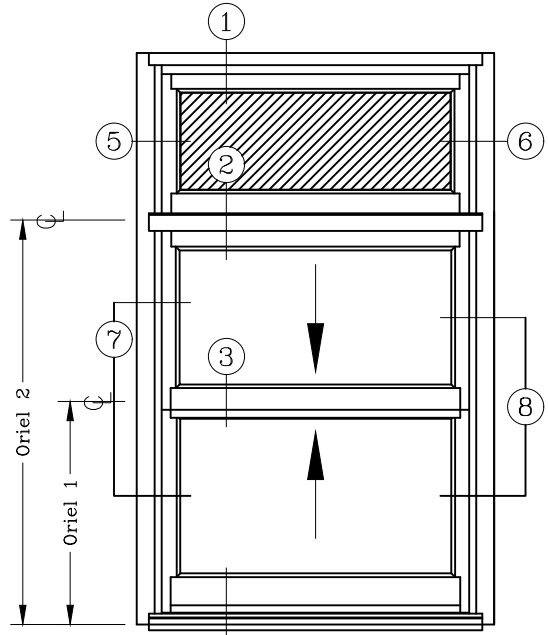
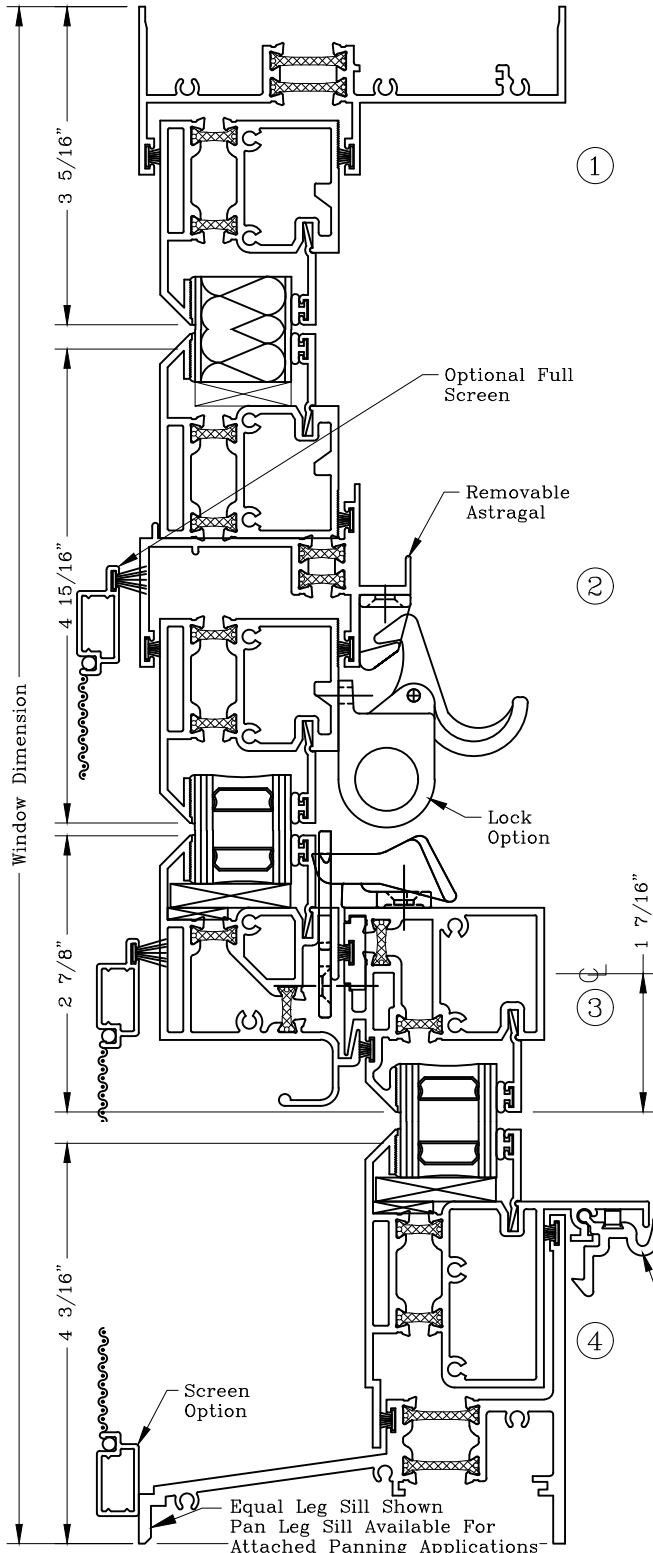


Series: S2500

Manufacturing Code: S2504

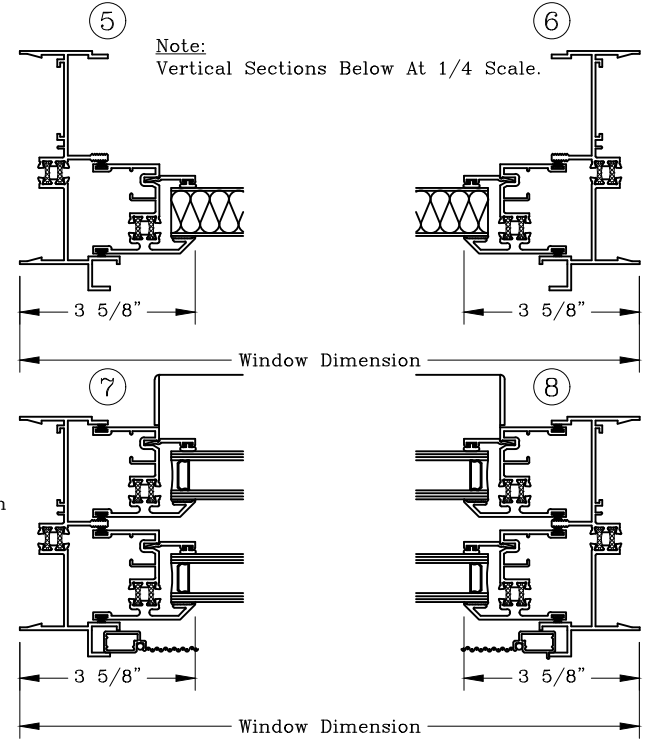
Drawing 1/2 Scale - For Custom Size Drawing Contact Graham

Note: Sealant Not Shown On Details. Refer To General Installation Instructions.



ELEVATION

For Frame Options Reference Sheet Starting At S25.07  
For Lock Options Reference Sheet S25.06



Graham Architectural Products reserves the right to change, add, cancel, remove or otherwise modify the details illustrated without prior notice.

# Overhead Pulley Counter-Balanced Double Hung - 4 1/2"

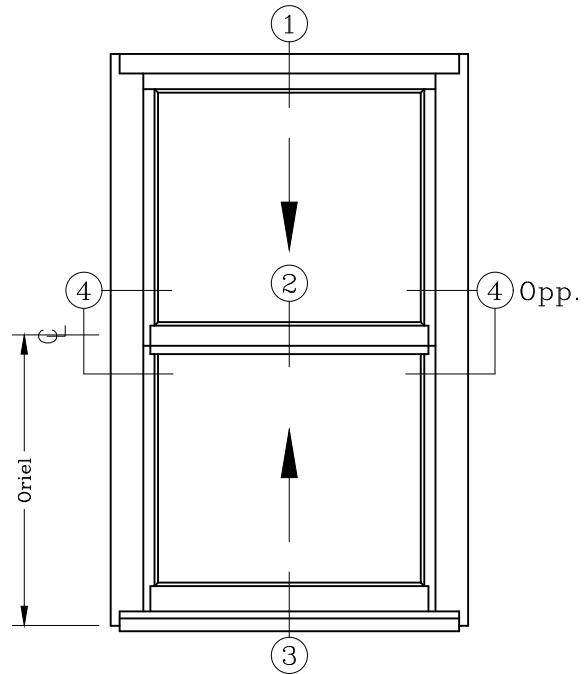
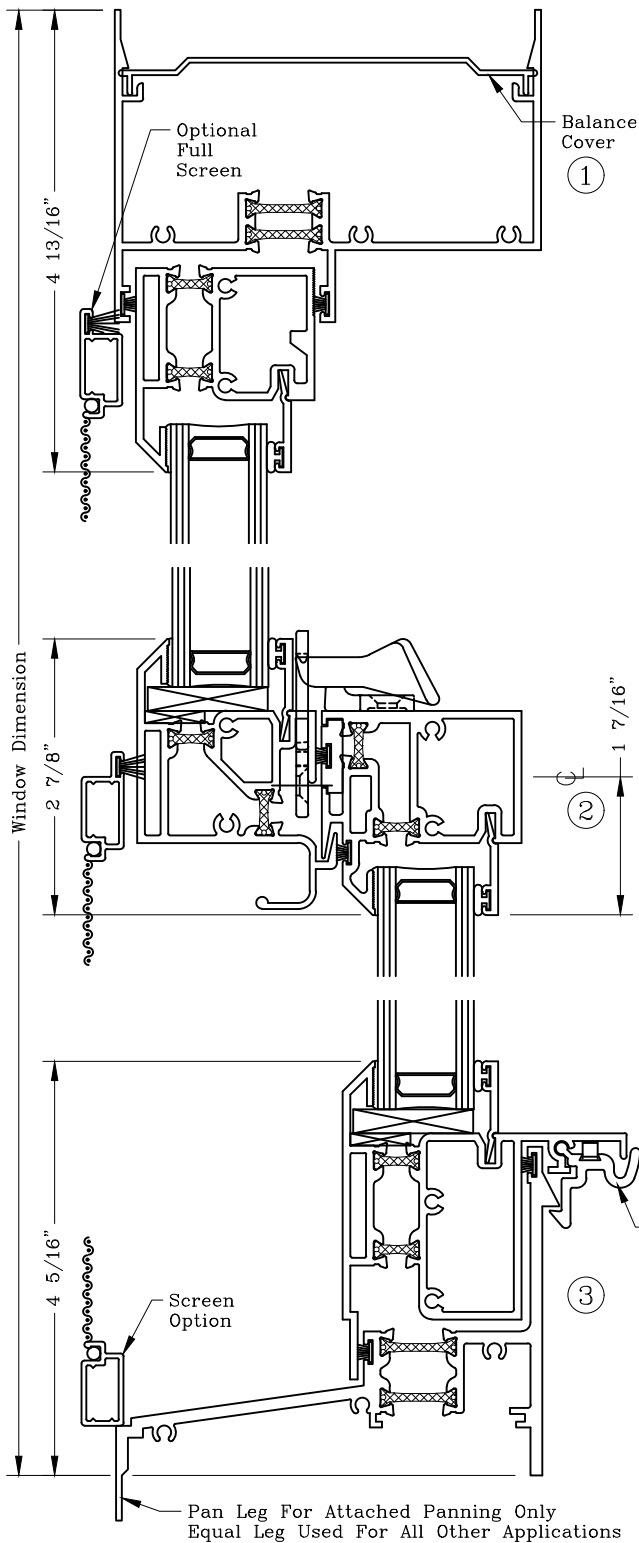


Series: S2500

Manufacturing Code: S2505

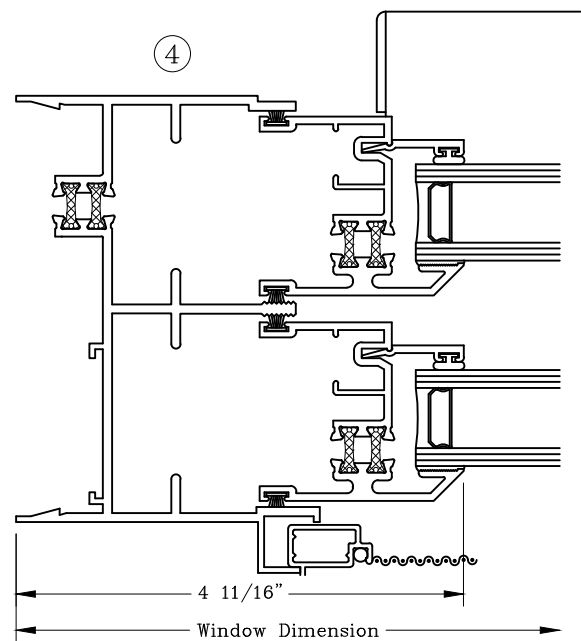
Drawing 1/2 Scale - For Custom Size Drawing Contact Graham

Note: Sealant Not Shown On Details. Refer To General Installation Instructions.



ELEVATION

For Frame Options Reference Sheet Starting At S25.07  
For Lock Options Reference Sheet S25.06



Graham Architectural Products reserves the right to change, add, cancel, remove or otherwise modify the details illustrated without prior notice.

1551 Mt. Rose Avenue, York, Pennsylvania 17403-2909 800/755-6274 Fax: 800/366-5097

0922 - S25.05

Web Site: [www.grahamwindows.com](http://www.grahamwindows.com)

# Lock Options - 4 1/2"

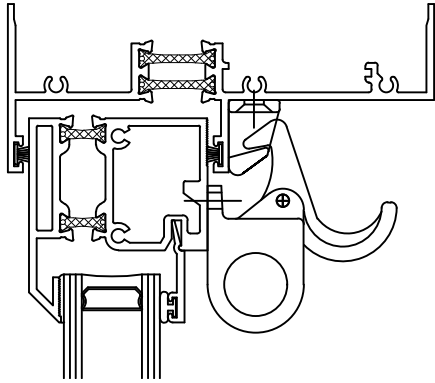


Series: S2500

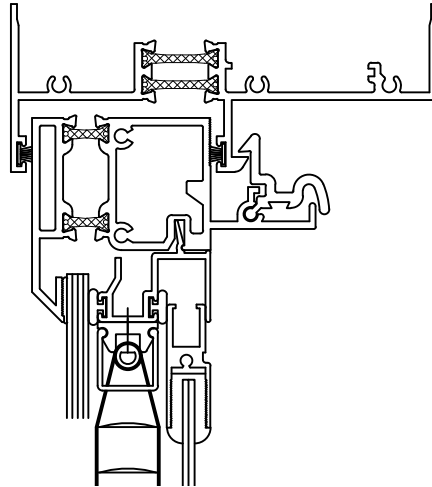
Manufacturing Code: S2506

Drawing 1/2 Scale - For Custom Size Drawing Contact Graham

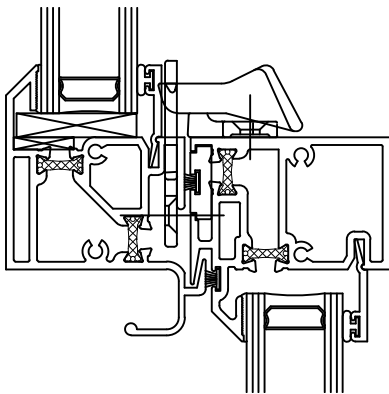
Note: Sealant Not Shown On Details. Refer To General Installation Instructions.



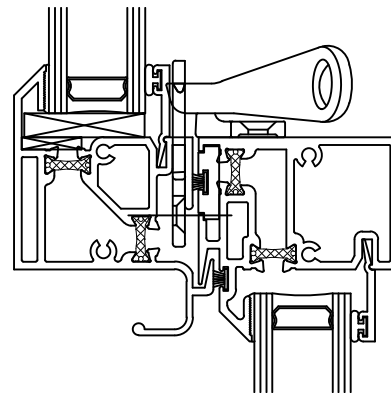
Top Rail  
Pole Operated Spring Lock



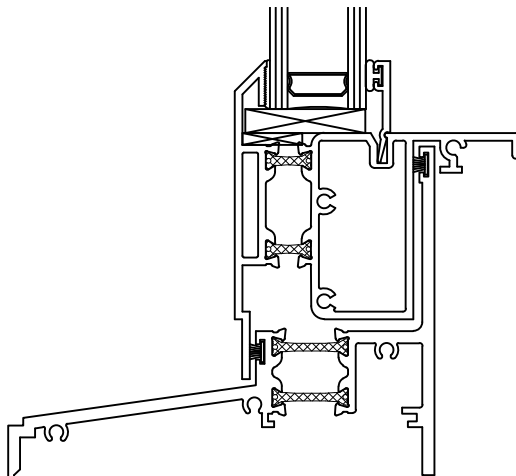
Top Rail  
Extruded Lock



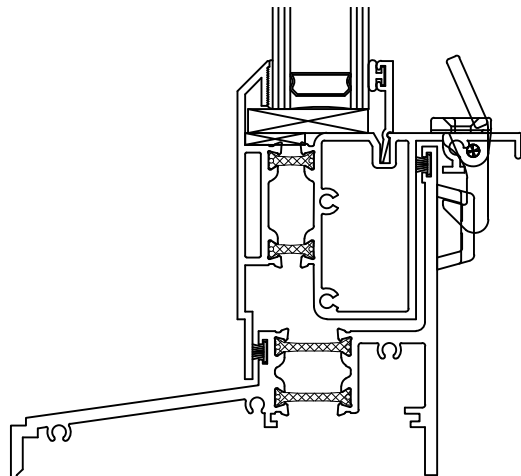
Sweep Lock



Pole  
Sweep Lock



Bottom Rail  
Extruded Lock



Bottom Rail  
Spring Lock

Graham Architectural Products reserves the right to change, add, cancel, remove or otherwise modify the details illustrated without prior notice.

1551 Mt. Rose Avenue, York, Pennsylvania 17403-2909 800/755-6274 Fax: 800/366-5097

Web Site: [www.grahamwindows.com](http://www.grahamwindows.com)

0922 - S25.06

# Frame Options - 4 1/2"

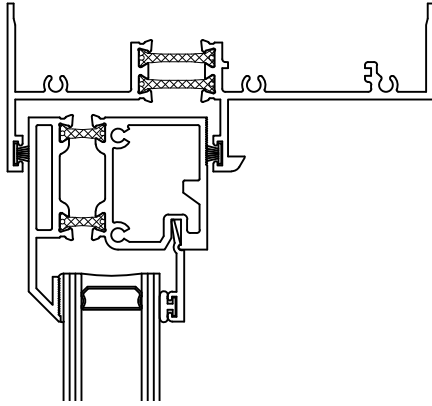


Series: S2500

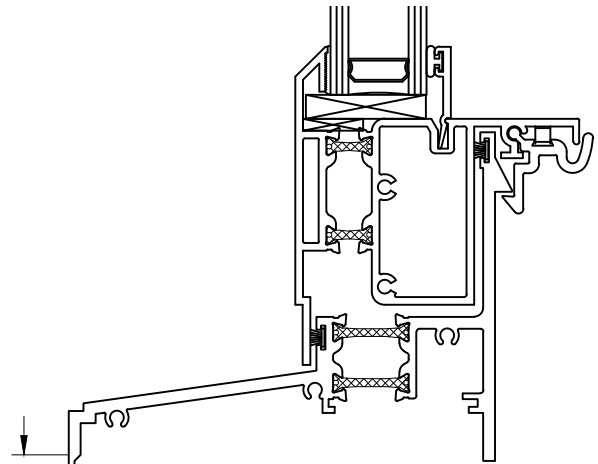
Manufacturing Code: S2507

Drawing 1/2 Scale - For Custom Size Drawing Contact Graham

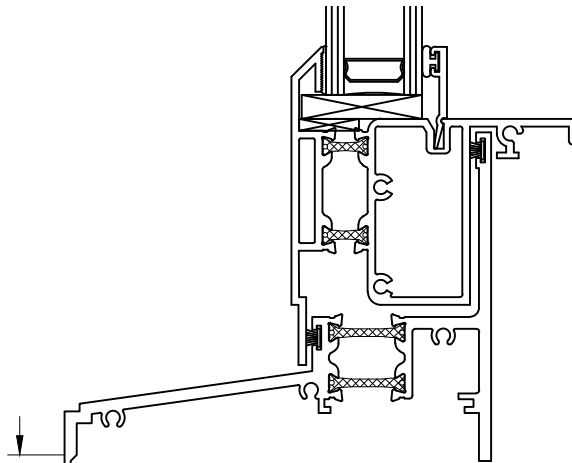
Note: Sealant Not Shown On Details. Refer To General Installation Instructions.



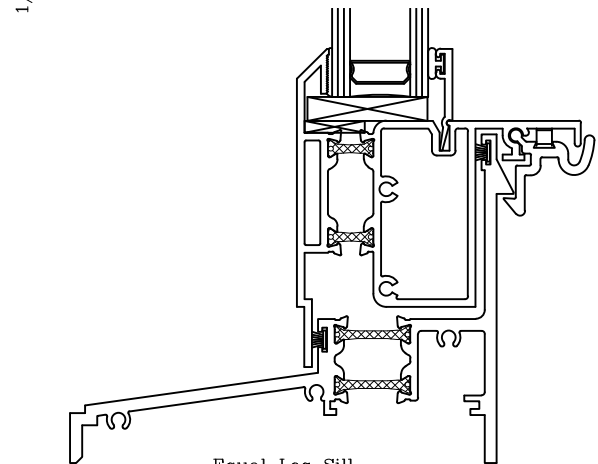
Frame Head w/ Spring Latch Barb  
#250515



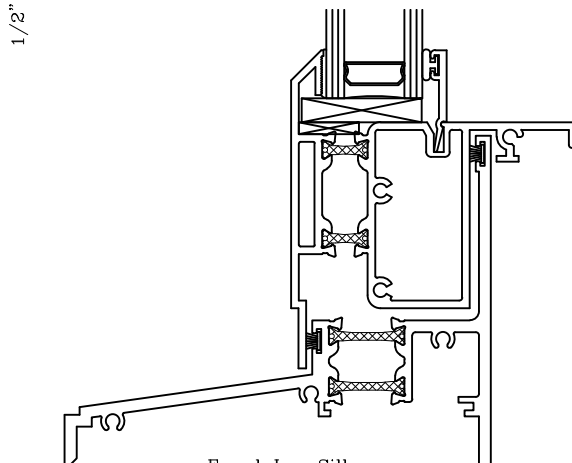
Pan Leg Sill  
w/ Spring Latch Barb  
#250523



Pan Leg Sill  
#250520



Equal Leg Sill  
w/ Spring Latch Barb  
#250524



Equal Leg Sill  
#250521

Graham Architectural Products reserves the right to change, add, cancel, remove or otherwise modify the details illustrated without prior notice.

1551 Mt. Rose Avenue, York, Pennsylvania 17403-2909 800/755-6274 Fax: 800/366-5097

0922 - S25.07

Web Site: [www.grahamwindows.com](http://www.grahamwindows.com)

# Frame Options - 4 1/2"

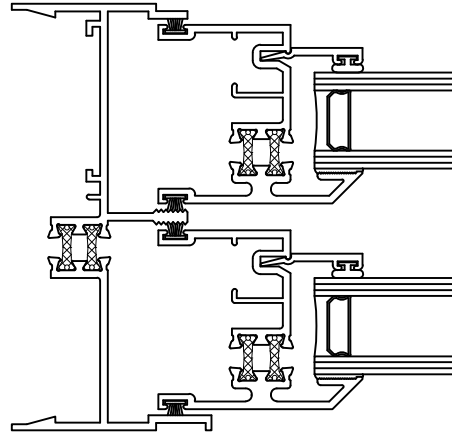


Series: S2500

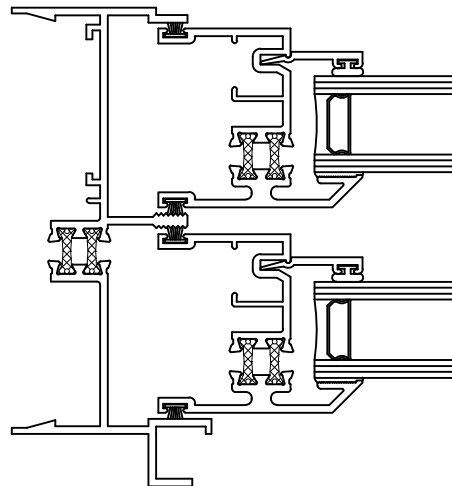
Manufacturing Code: S2508

Drawing 1/2 Scale - For Custom Size Drawing Contact Graham

Note: Sealant Not Shown On Details. Refer To General Installation Instructions.



S2500 Series Jamb  
w/o Screen Track  
#250531



S2500 Series Jamb  
w/ Screen Track  
#250530

Graham Architectural Products reserves the right to change, add, cancel, remove or otherwise modify the details illustrated without prior notice.

1551 Mt. Rose Avenue, York, Pennsylvania 17403-2909 800/755-6274 Fax: 800/366-5097

Web Site: [www.grahamwindows.com](http://www.grahamwindows.com)

0922 - S25.08

# Glazing Options - 4 1/2"

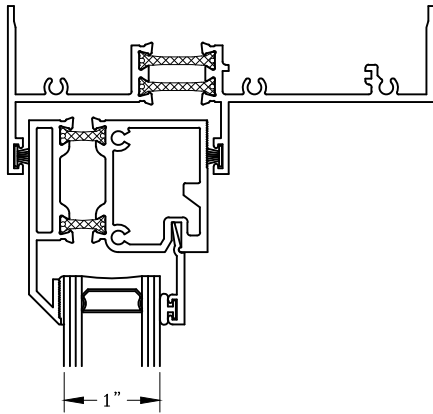


Series: S2500

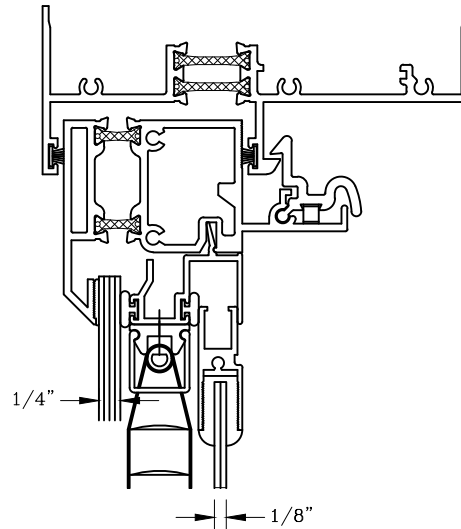
Manufacturing Code: S2509

Drawing 1/2 Scale - For Custom Size Drawing Contact Graham

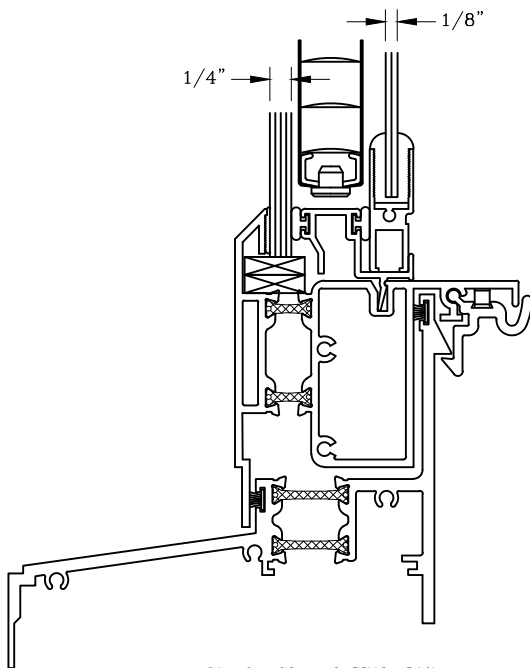
Note: Sealant Not Shown On Details. Refer To General Installation Instructions.



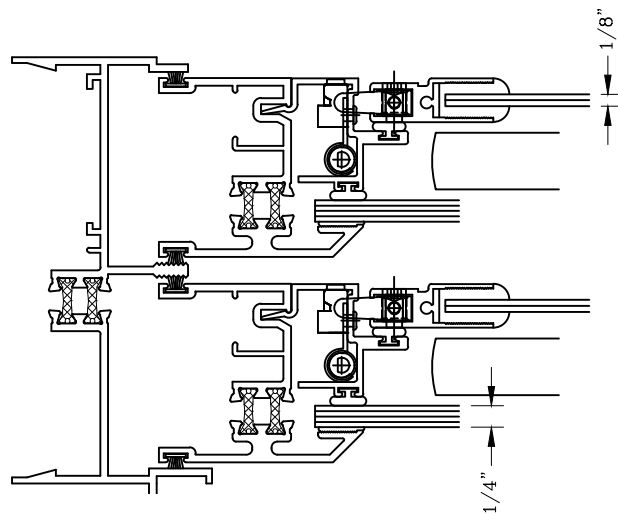
IG Glazing Option  
At Head



Single Glazed With Lift  
Guardian Glazing Option  
At Head



Single Glazed With Lift  
Guardian Glazing Option  
At Sill



Single Glazed With Lift  
Guardian Glazing Option  
At Jamb

Graham Architectural Products reserves the right to change, add, cancel, remove or otherwise modify the details illustrated without prior notice.

1551 Mt. Rose Avenue, York, Pennsylvania 17403-2909 800/755-6274 Fax: 800/366-5097

Web Site: [www.grahamwindows.com](http://www.grahamwindows.com)

0922 - S25.09