

Double Hung Side Load - 4 1/2"

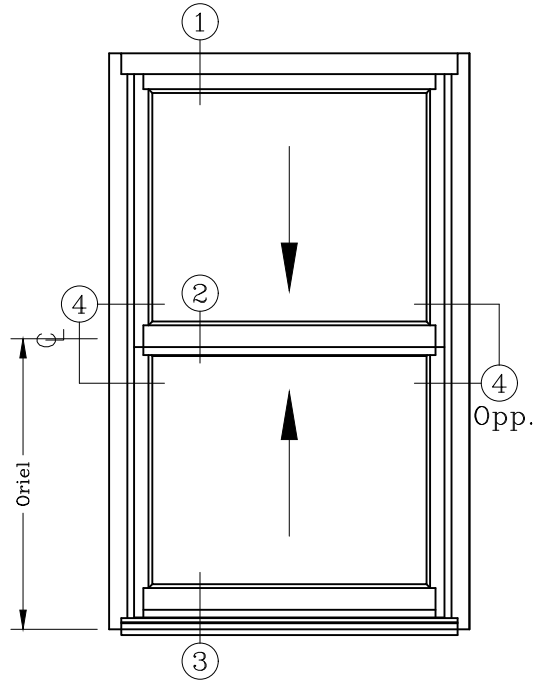
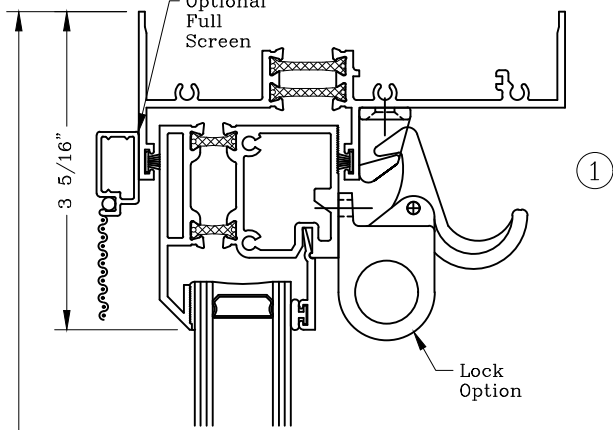


Series: S2500

Manufacturing Code: S2501

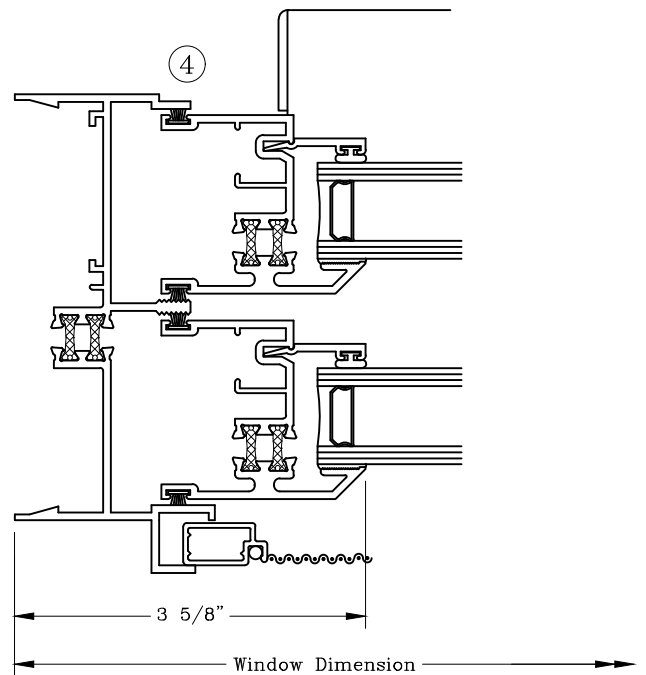
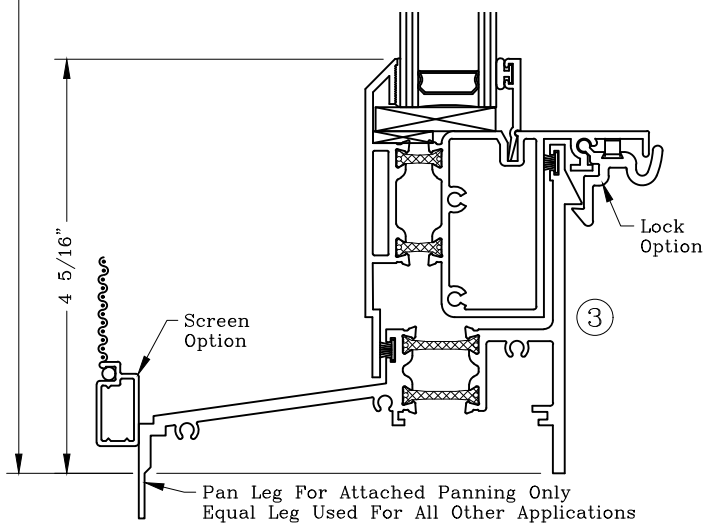
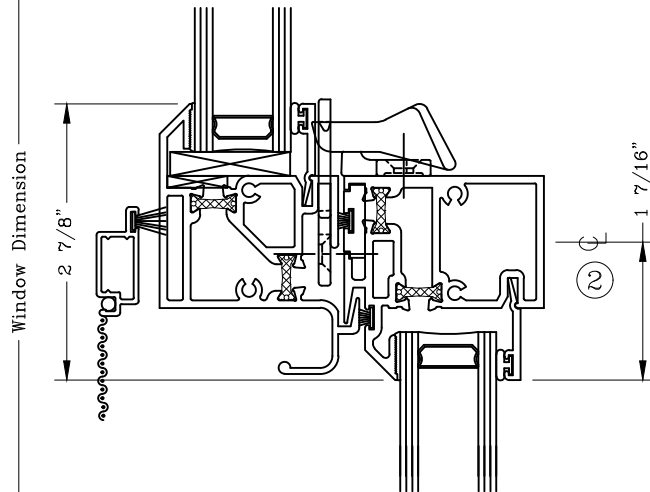
Drawing 1/2 Scale - For Custom Size Drawing Contact Graham

Note: Sealant Not Shown On Details. Refer To General Installation Instructions.



ELEVATION

For Frame Options Reference Sheet Starting At S25.07
For Lock Options Reference Sheet S25.06



Graham Architectural Products reserves the right to change, add, cancel, remove or otherwise modify the details illustrated without prior notice.

1551 Mt. Rose Avenue, York, Pennsylvania 17403-2909 800/755-6274 Fax: 800/366-5097

0922 - S25.01

Web Site: www.grahamwindows.com