

Double Hung Side Load - 4 1/2" Astragal

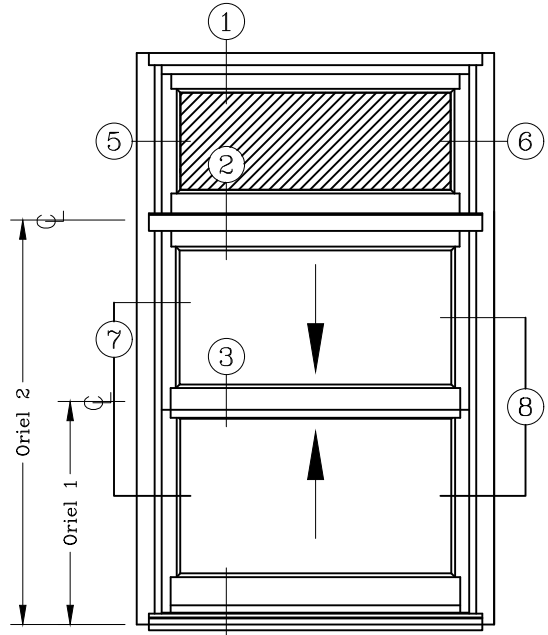
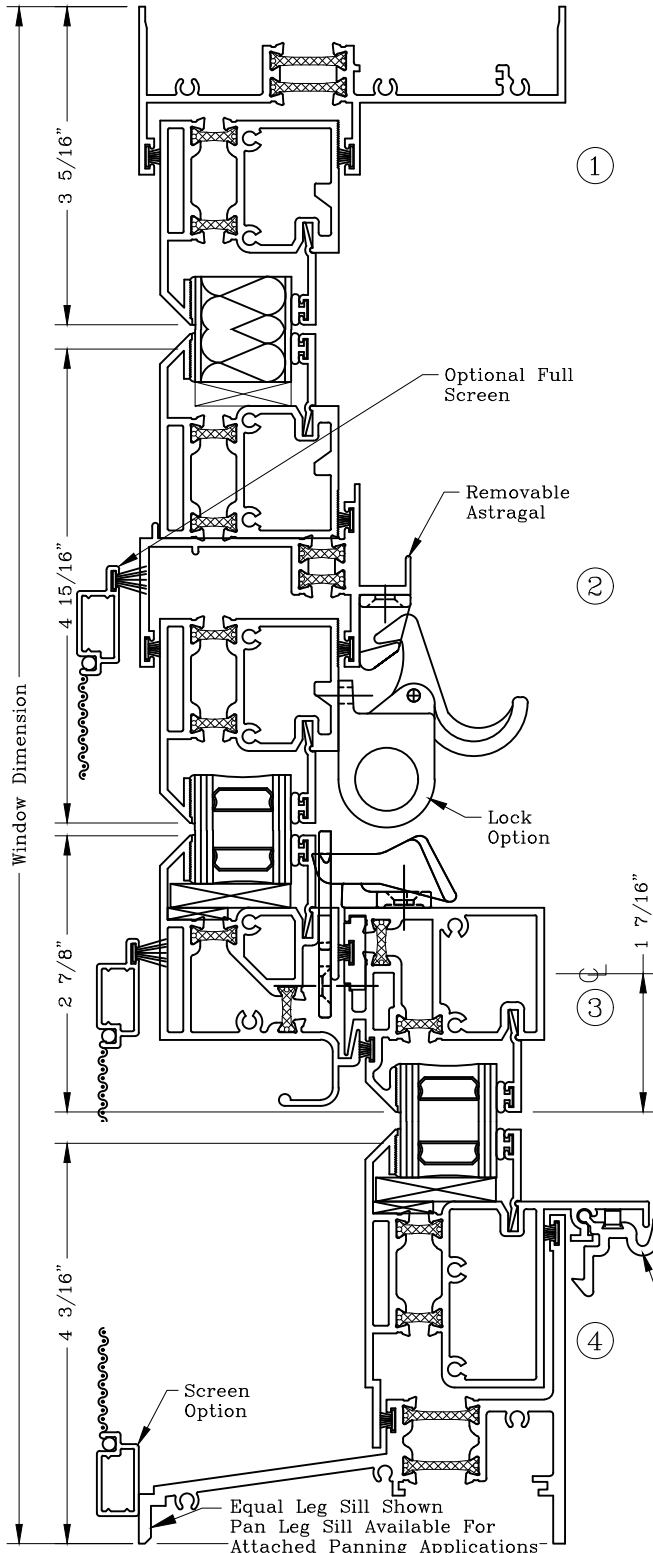


Series: S2500

Manufacturing Code: S2504

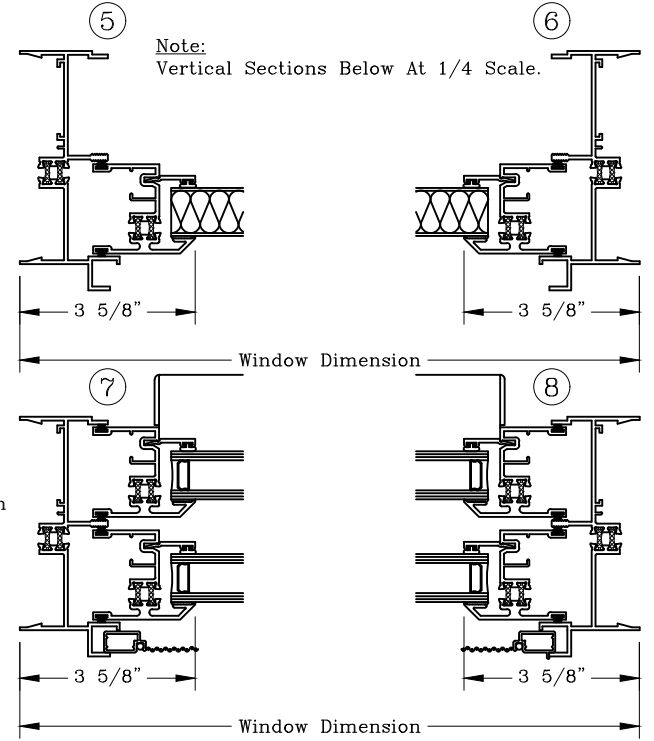
Drawing 1/2 Scale - For Custom Size Drawing Contact Graham

Note: Sealant Not Shown On Details. Refer To General Installation Instructions.



ELEVATION

For Frame Options Reference Sheet Starting At S25.07
For Lock Options Reference Sheet S25.06



Graham Architectural Products reserves the right to change, add, cancel, remove or otherwise modify the details illustrated without prior notice.