

# Frame Options - 4 1/2"

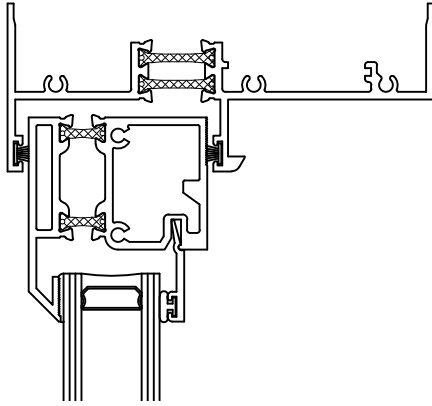


Series: S2500

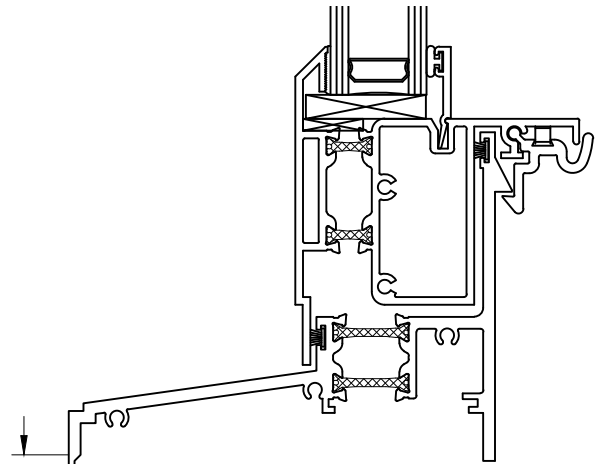
Manufacturing Code: S2507

Drawing 1/2 Scale - For Custom Size Drawing Contact Graham

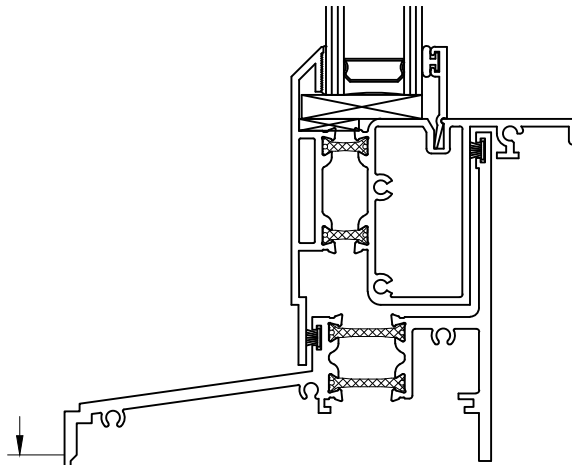
Note: Sealant Not Shown On Details. Refer To General Installation Instructions.



Frame Head w/ Spring Latch Barb  
#250515

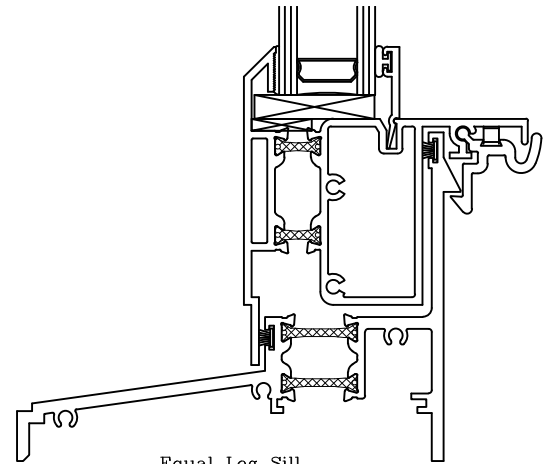


Pan Leg Sill  
w/ Spring Latch Barb  
#250523



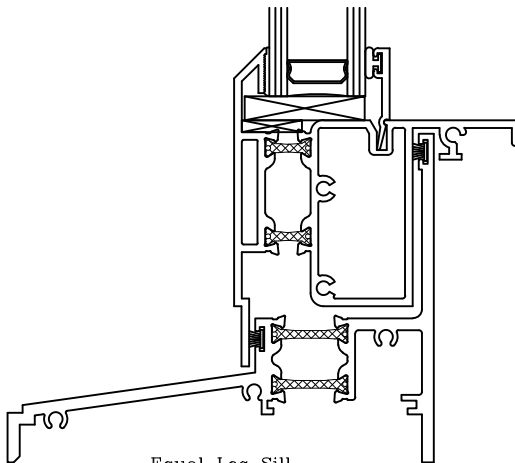
Pan Leg Sill  
#250520

1/2"



Equal Leg Sill  
w/ Spring Latch Barb  
#250524

1/2"



Equal Leg Sill  
#250521

Graham Architectural Products reserves the right to change, add, cancel, remove or otherwise modify the details illustrated without prior notice.

1551 Mt. Rose Avenue, York, Pennsylvania 17403-2909 800/755-6274 Fax: 800/366-5097

0922 - S25.07

Web Site: [www.grahamwindows.com](http://www.grahamwindows.com)