

Glazing Options - 4 1/2"

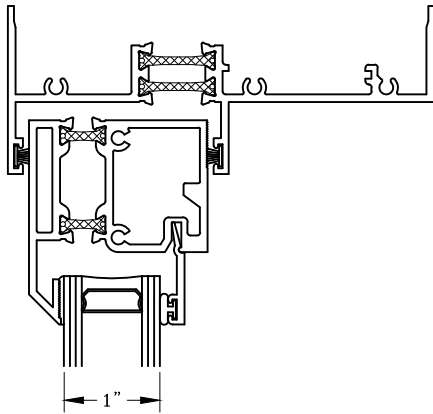


Series: S2500

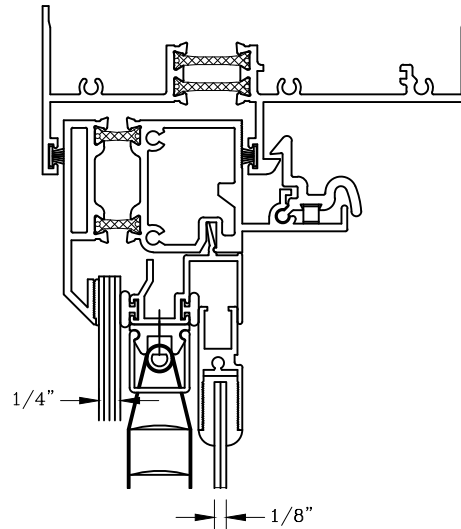
Manufacturing Code: S2509

Drawing 1/2 Scale - For Custom Size Drawing Contact Graham

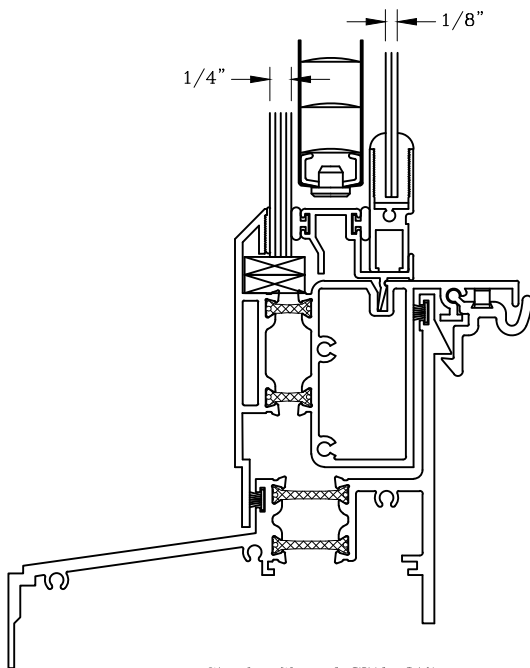
Note: Sealant Not Shown On Details. Refer To General Installation Instructions.



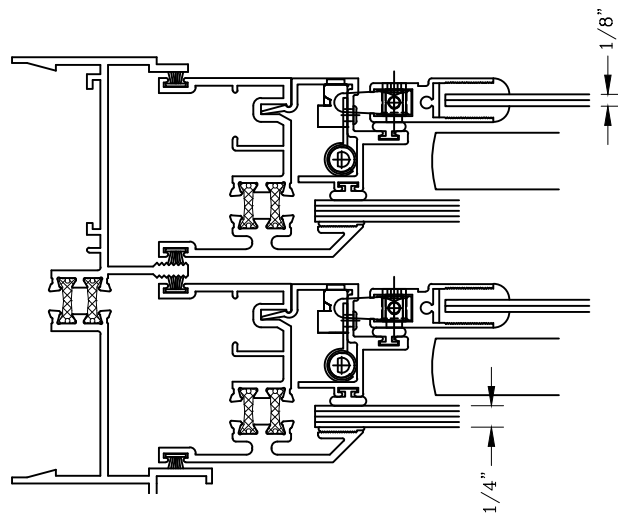
IG Glazing Option
At Head



Single Glazed With Lift
Guardian Glazing Option
At Head



Single Glazed With Lift
Guardian Glazing Option
At Sill



Single Glazed With Lift
Guardian Glazing Option
At Jamb

Graham Architectural Products reserves the right to change, add, cancel, remove or otherwise modify the details illustrated without prior notice.

1551 Mt. Rose Avenue, York, Pennsylvania 17403-2909 800/755-6274 Fax: 800/366-5097

Web Site: www.grahamwindows.com

0922 - S25.09