

# Double Hung Tilt – 3 1/4”

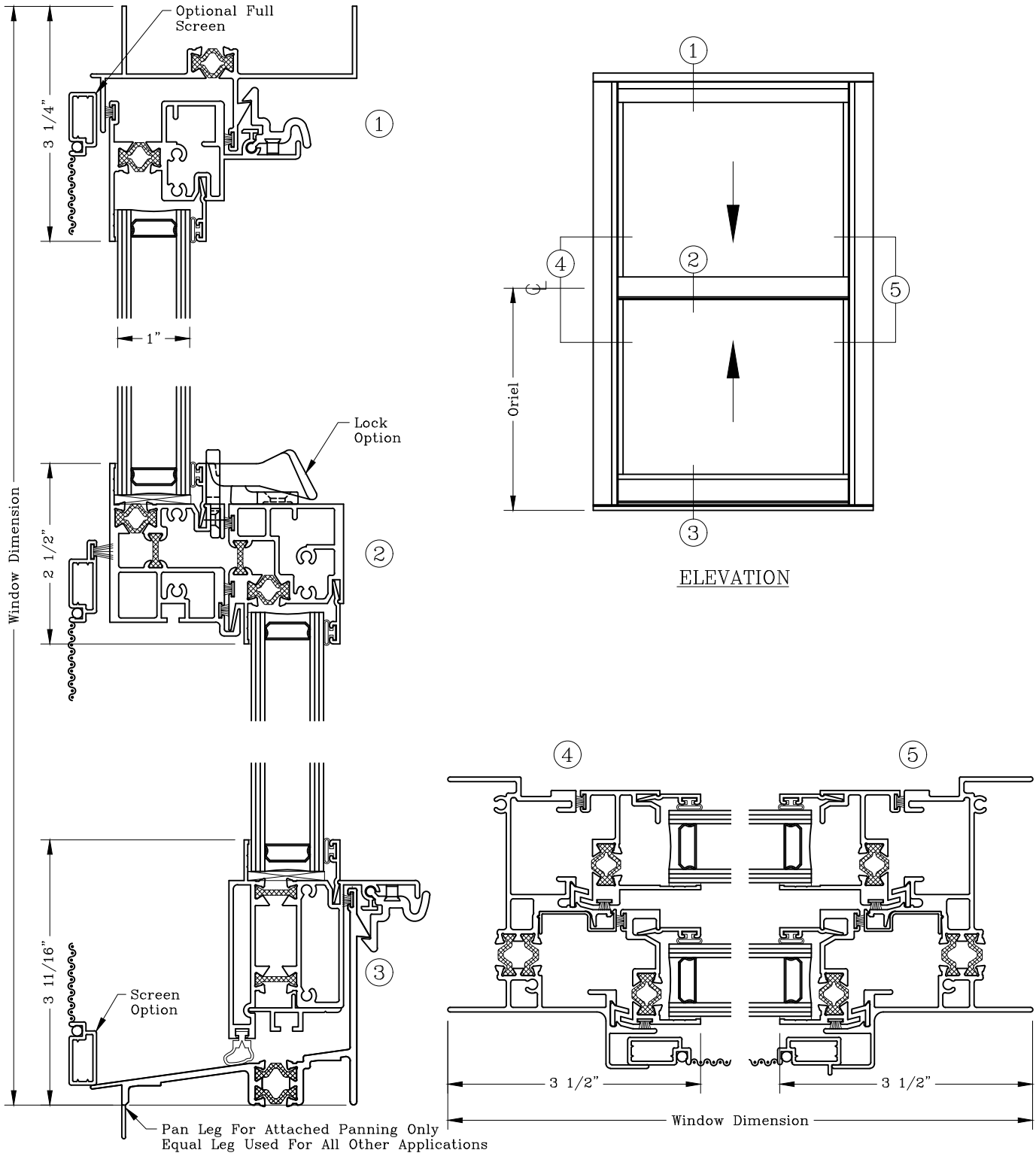


Series: S3000

Manufacturing Code: S3001

Drawing 1/2 Scale – For Custom Size Drawing Contact Graham

Note: Sealant Not Shown On Details. Refer To General Installation Instructions.



Graham Architectural Products reserves the right to change, add, cancel, remove or otherwise modify the details illustrated without prior notice.

1551 Mt. Rose Avenue, York, Pennsylvania 17403-2909 800/755-6274 Fax: 800/366-5097

1122 – S30.01

Web Site: [www.grahamwindows.com](http://www.grahamwindows.com)

# Double Hung Tile – 3 1/4”

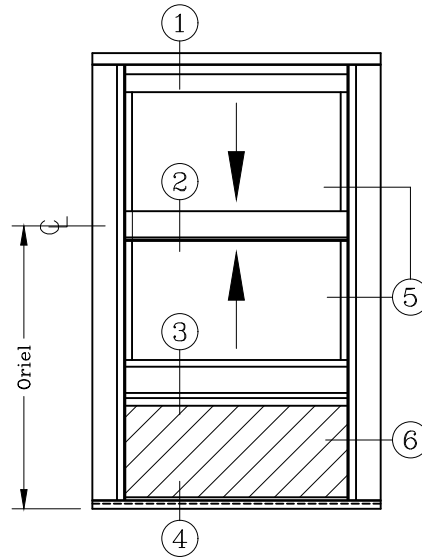
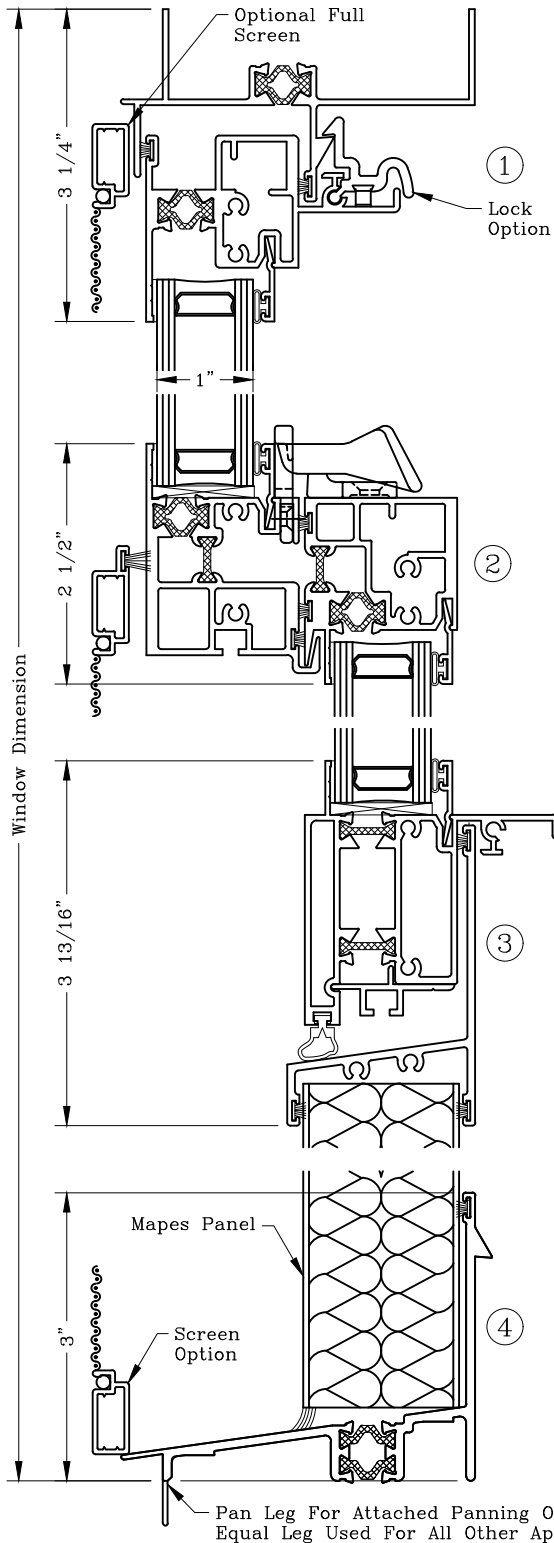


Series: S3000

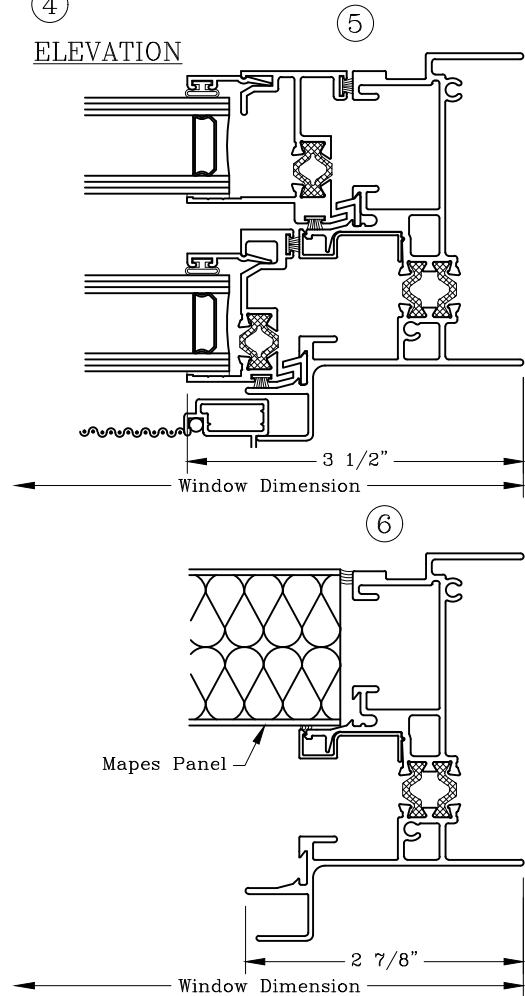
Manufacturing Code: S3002

Drawing 1/2 Scale – For Custom Size Drawing Contact Graham

Note: Sealant Not Shown On Details. Refer To General Installation Instructions.



ELEVATION



Graham Architectural Products reserves the right to change, add, cancel, remove or otherwise modify the details illustrated without prior notice.

1551 Mt. Rose Avenue, York, Pennsylvania 17403-2909 800/755-6274 Fax: 800/366-5097

11/22 – S30.02

Web Site: www.grahamwindows.com

# Double Hung Tilt – 3 1/4”

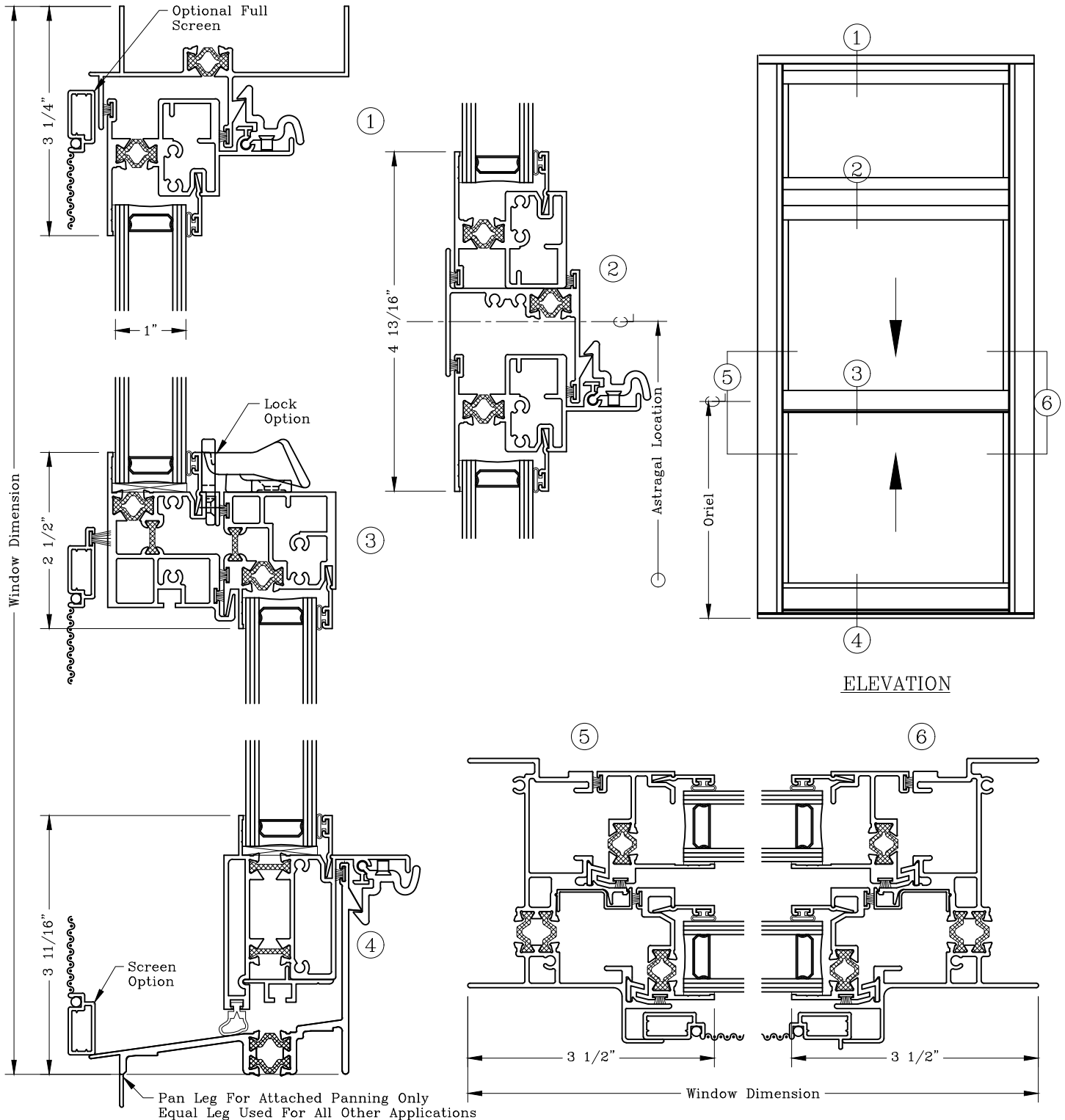


Series: S3000

Manufacturing Code: S3003

Drawing 1/2 Scale – For Custom Size Drawing Contact Graham

Note: Sealant Not Shown On Details. Refer To General Installation Instructions.



Graham Architectural Products reserves the right to change, add, cancel, remove or otherwise modify the details illustrated without prior notice.

1551 Mt. Rose Avenue, York, Pennsylvania 17403-2909 800/755-6274 Fax: 800/366-5097

1122 - S30.03

Web Site: [www.grahamwindows.com](http://www.grahamwindows.com)

# Frame Options – 3 1/4”

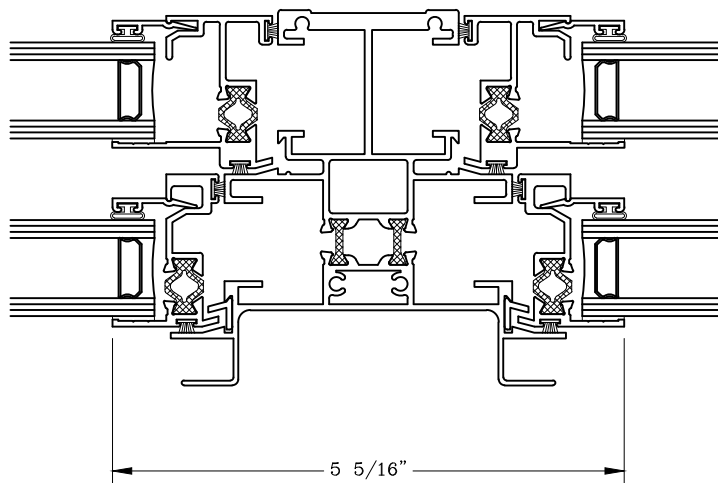


Series: S3000

Manufacturing Code: S3004

Drawing 1/2 Scale – For Custom Size Drawing Contact Graham

Note: Sealant Not Shown On Details. Refer To General Installation Instructions.



Double Hung Jamb Impost

Graham Architectural Products reserves the right to change, add, cancel, remove or otherwise modify the details illustrated without prior notice.

1551 Mt. Rose Avenue, York, Pennsylvania 17403-2909 800/755-6274 Fax: 800/366-5097

11/22 – S30.04

Web Site: [www.grahamwindows.com](http://www.grahamwindows.com)