

# Fixed/Fixed Window – 4” Human Impact Window

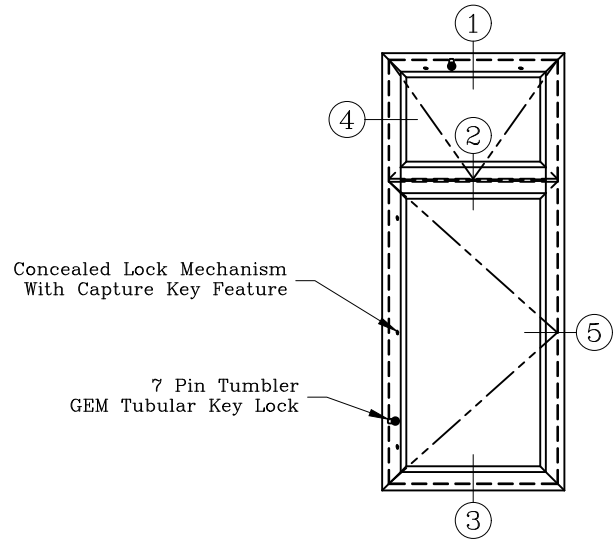
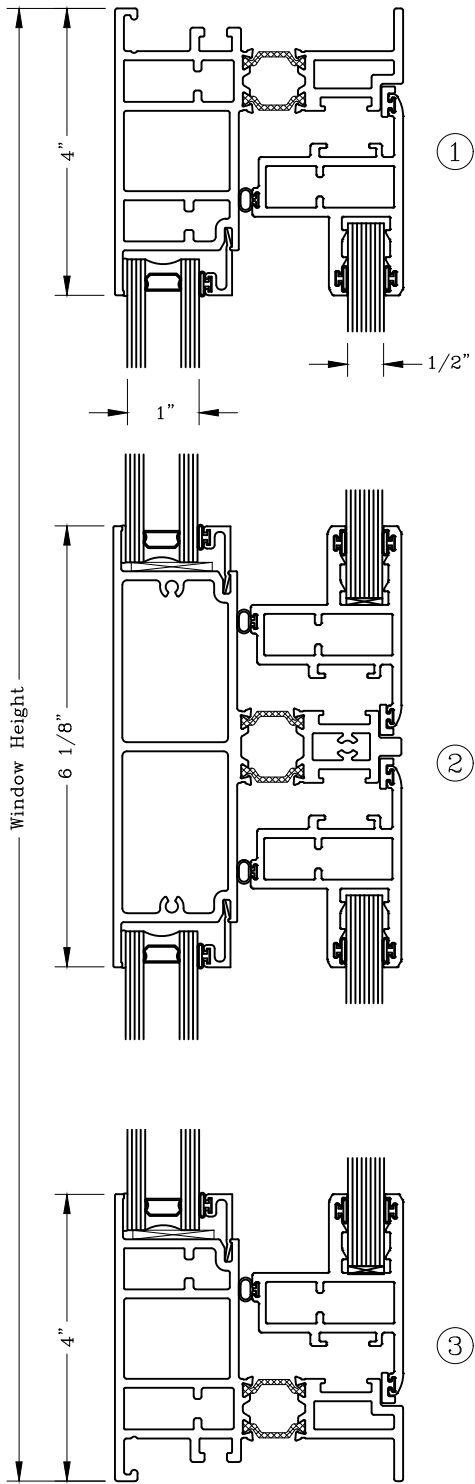


Series: S6300

Manufacturing Code: S6303

Drawing 1/2 Scale – For Custom Size Drawing Contact Graham

Note: Sealant Not Shown On Details. Refer To General Installation Instructions.

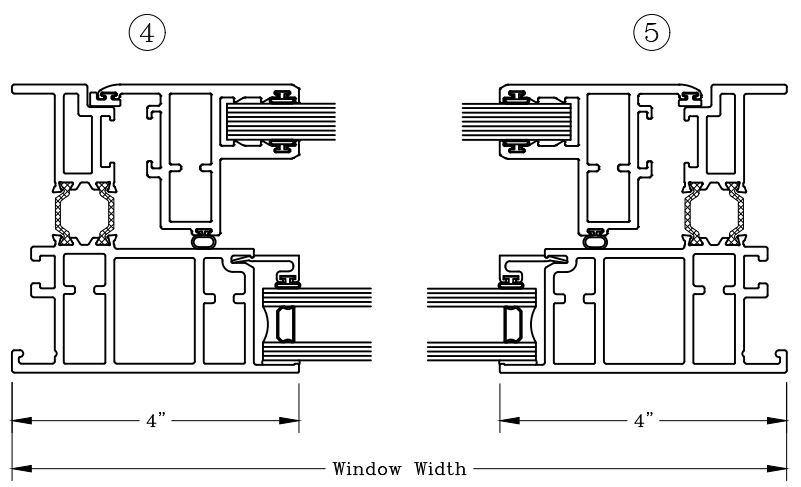


Concealed Lock Mechanism  
With Capture Key Feature

7 Pin Tumbler  
GEM Tubular Key Lock

Elevation

Note: Phantom Line Represents Inswing Impact Panel  
Operation For Cleaning And Blind Access.  
Lines Converge At Hinge Side Of Panel.



Graham Architectural Products reserves the right to change, add, cancel, remove or otherwise modify the details illustrated without prior notice.

1551 Mt. Rose Avenue, York, Pennsylvania 17403-2909 717.849.8100 Toll Free: 800/755-6274

0223 – S63.03

Web Site: [www.grahamwindows.com](http://www.grahamwindows.com)