

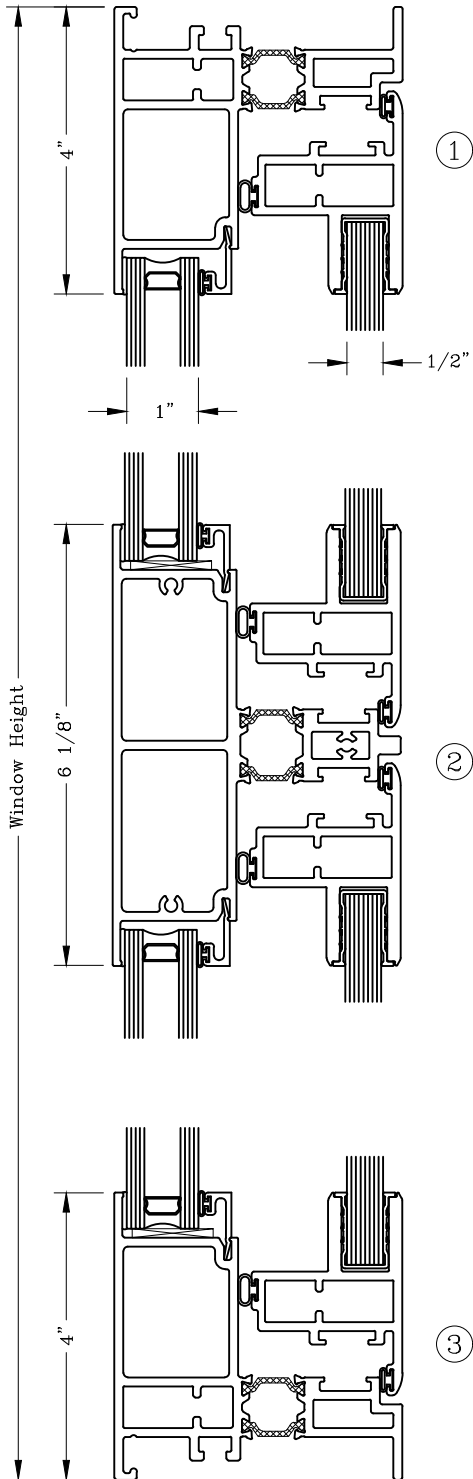
Fixed/Fixed Window - 4" Human Impact Window



Series: S6300

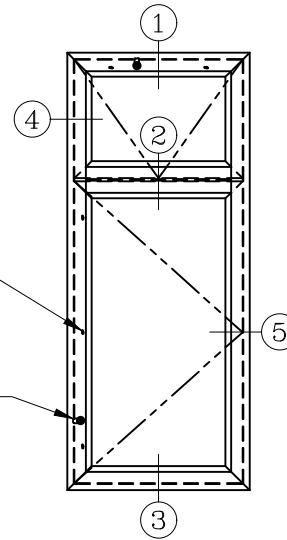
Manufacturing Code: S6303

Note: Sealant Not Shown On Details. Refer To General Installation Instructions.



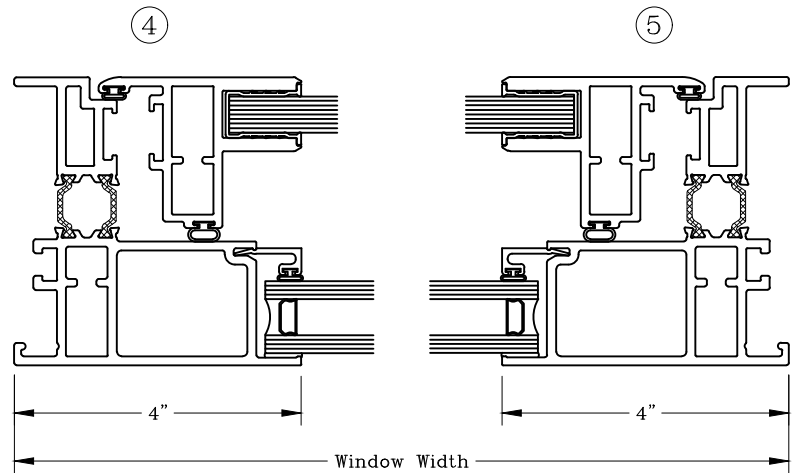
Concealed Lock Mechanism
With Capture Key Feature

7 Pin Tumbler
GEM Tubular Key Lock



Elevation

Note: Phantom Line Represents Inswing Impact Panel
Operation For Cleaning And Blind Access.
Lines Converge At Hinge Side Of Panel.



Graham Architectural Products reserves the right to change, add, cancel, remove or otherwise modify the details illustrated without prior notice.

1551 Mt. Rose Avenue, York, Pennsylvania 17403-2909 800/755-6274 Fax: 800/366-5097

0521 - S63.03

Web Site: www.grahamwindows.com