

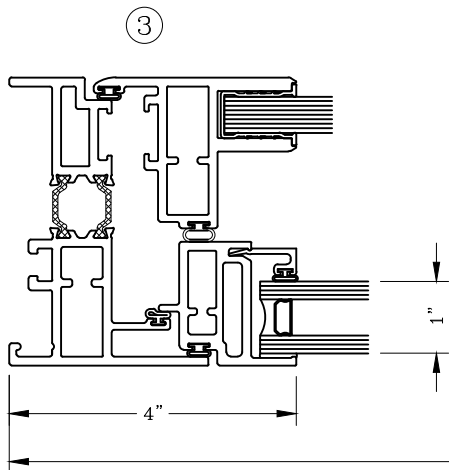
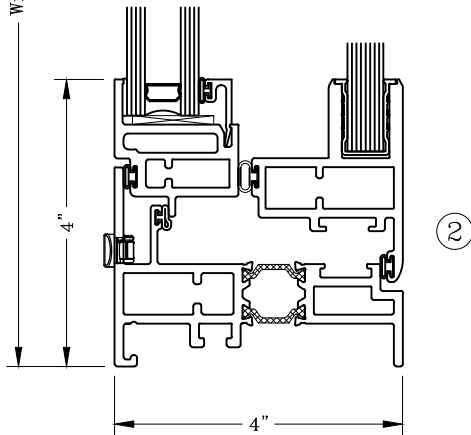
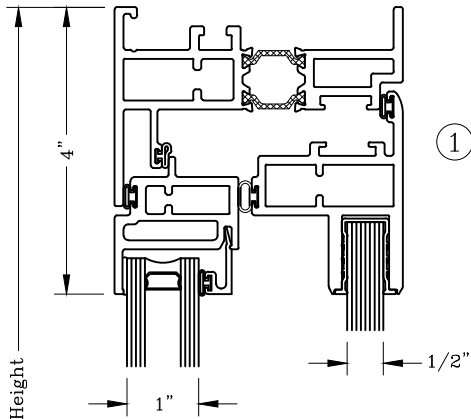
Casement Window – 4” Human Impact Window



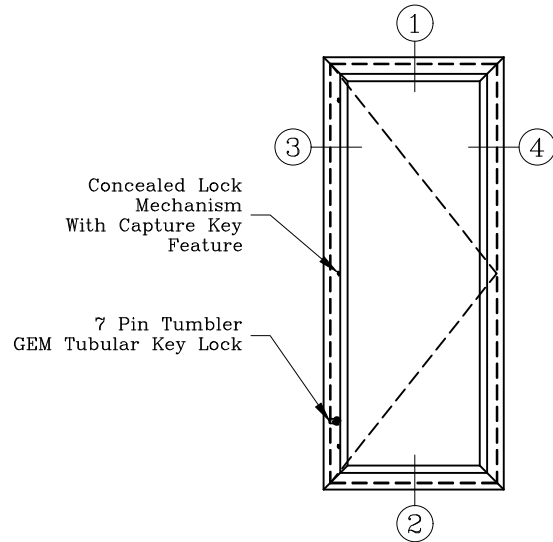
Series: S6300

Manufacturing Code: S6305

Note: Sealant Not Shown On Details. Refer To General Installation Instructions.

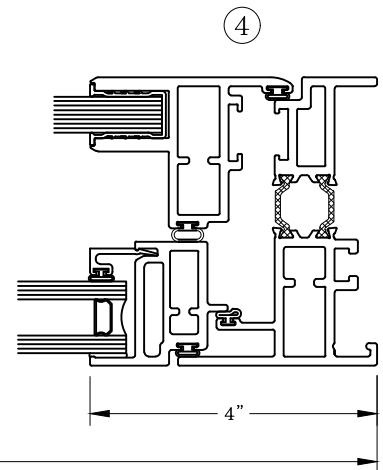


Window Width



Elevation

Note: Dashed Line Represents Inswing Vent Operation. Inswing Impact Panel Operates Independently For Cleaning And Blind Access. Lines Converge At Hinge Side Of Vent.



Graham Architectural Products reserves the right to change, add, cancel, remove or otherwise modify the details illustrated without prior notice.

1551 Mt. Rose Avenue, York, Pennsylvania 17403-2909 800/755-6274 Fax: 800/366-5097

0521 – S63.05

Web Site: www.grahamwindows.com