

# Curtain Wall Overlay Panel Human Impact Window 1" Blind Option

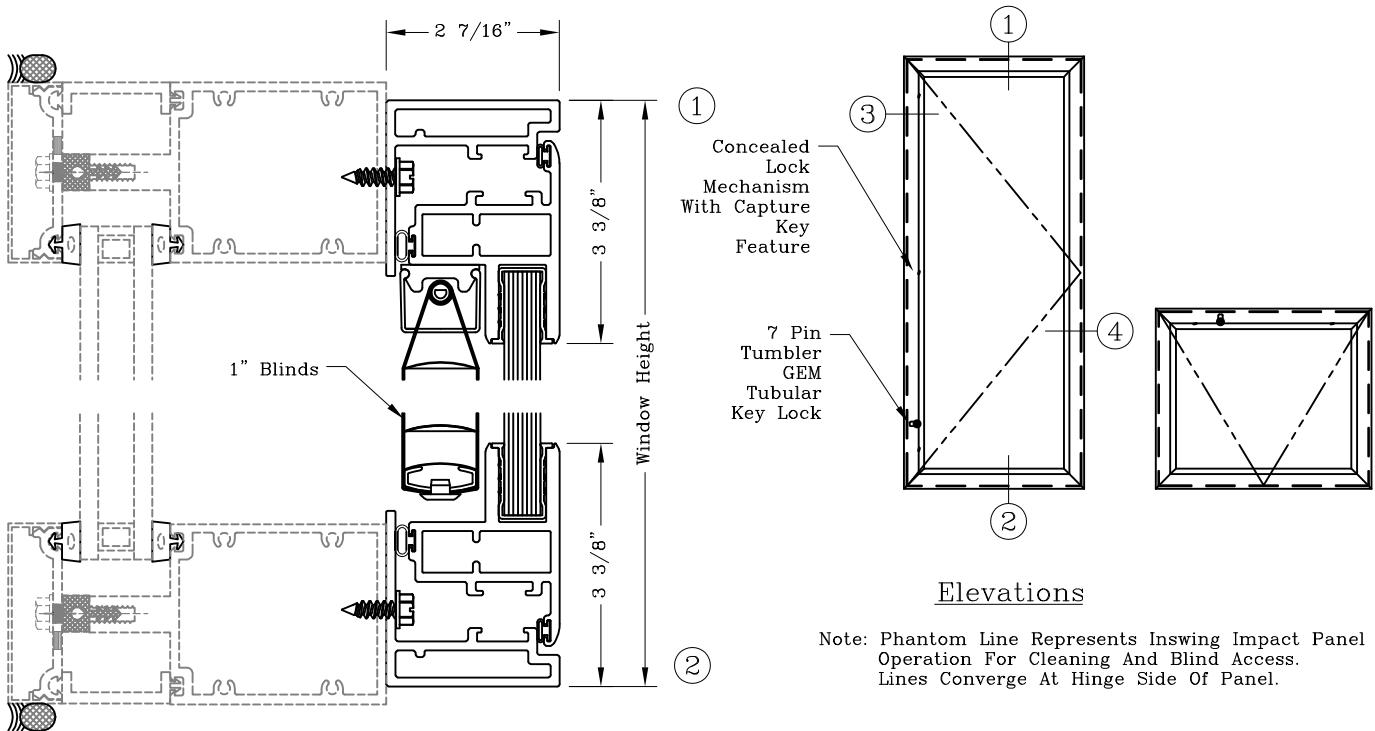


Series: S6300

Manufacturing Code: S6316

Drawing 1/2 Scale - For Custom Size Drawing Contact Graham

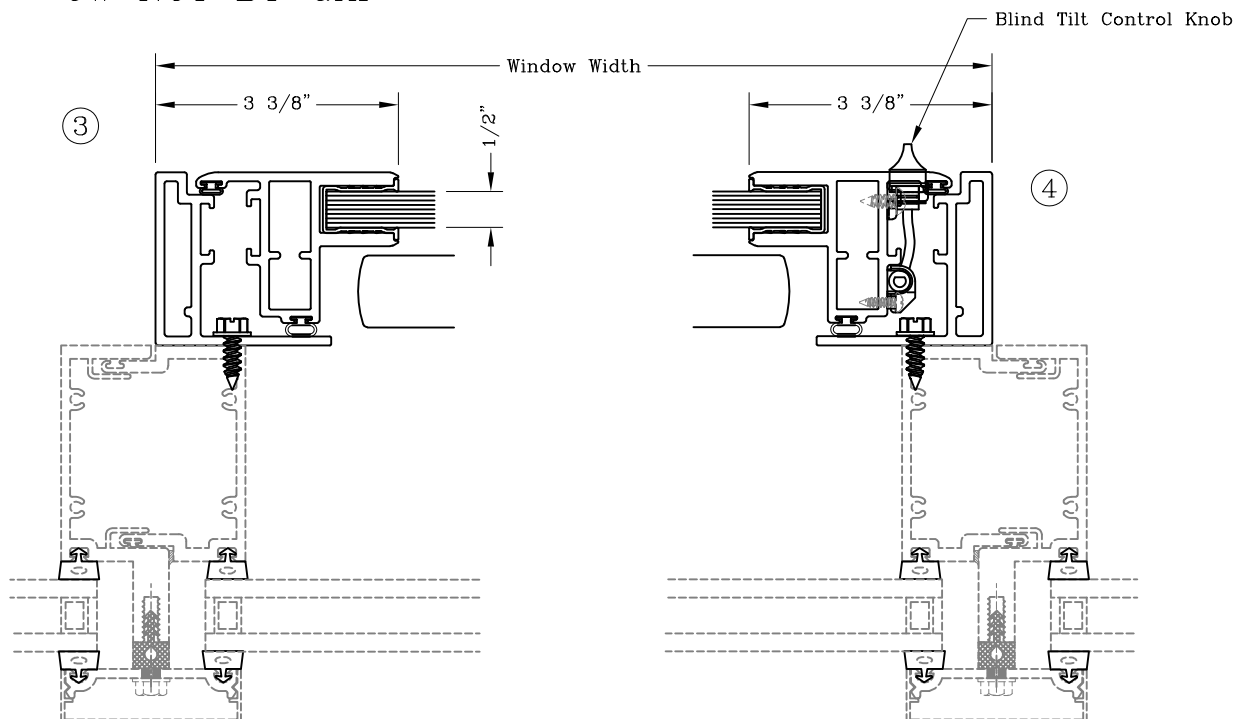
Note: Sealant Not Shown On Details. Refer To General Installation Instructions.



Elevations

Note: Phantom Line Represents Inswing Impact Panel Operation For Cleaning And Blind Access. Lines Converge At Hinge Side Of Panel.

CW NOT BY GAP



Graham Architectural Products reserves the right to change, add, cancel, remove or otherwise modify the details illustrated without prior notice.

1551 Mt. Rose Avenue, York, Pennsylvania 17403-2909 717.849.8100 Toll Free: 800/755-6274

0223 - S63.16

Web Site: [www.grahamwindows.com](http://www.grahamwindows.com)