

# Operational Locks Human Impact Window

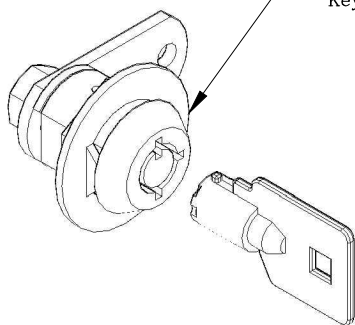


Series: S6300

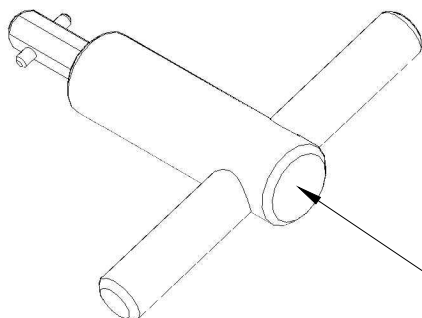
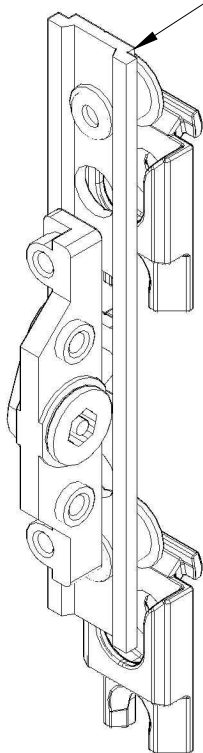
Manufacturing Code:

Note: Sealant Not Shown On Details. Refer To General Installation Instructions.

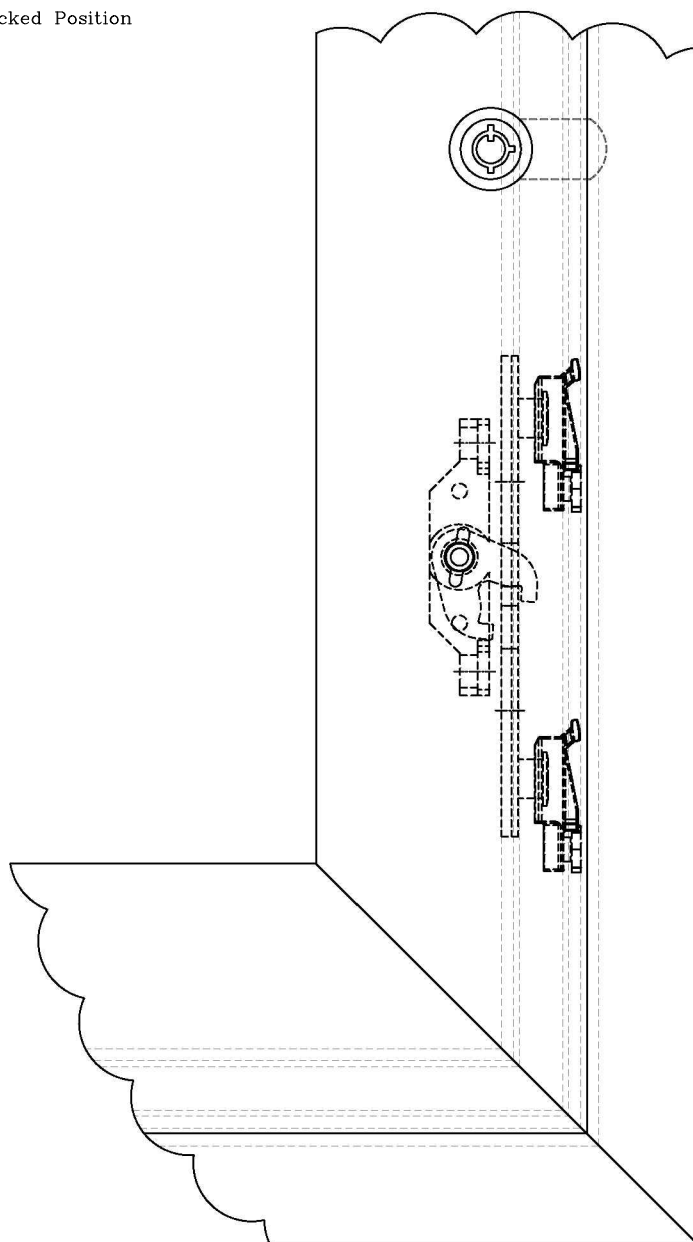
Secondary Lock  
7 Pin Tumbler  
Gem Tubular Key Lock  
Key Is Captured In Unlocked Position



Primary Lock  
Concealed Lock Mechanism  
With Captured Locking Lugs  
Minimum Of 2 And  
Maximum Of 3 Per Sash



Primary Lock Key  
Key Is Captured In Unlocked Position



Graham Architectural Products reserves the right to change, add, cancel, remove or otherwise modify the details illustrated without prior notice.

1551 Mt. Rose Avenue, York, Pennsylvania 17403-2909 800/755-6274 Fax: 800/366-5097

0521 - S63.25

Web Site: [www.grahamwindows.com](http://www.grahamwindows.com)