

Fixed - 3 1/4"

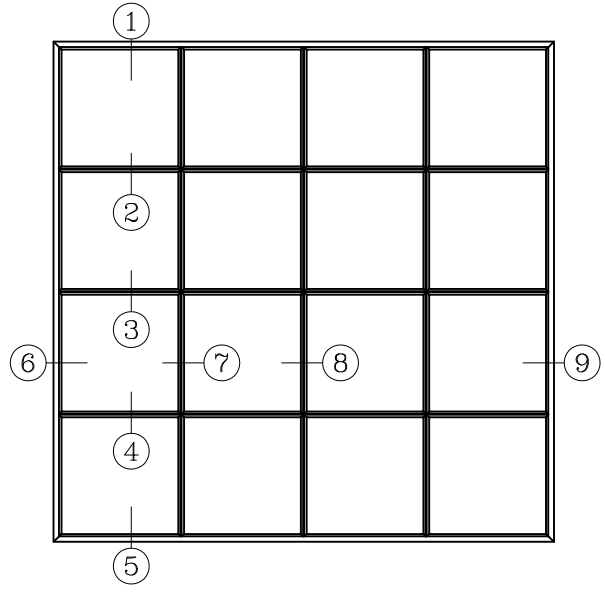
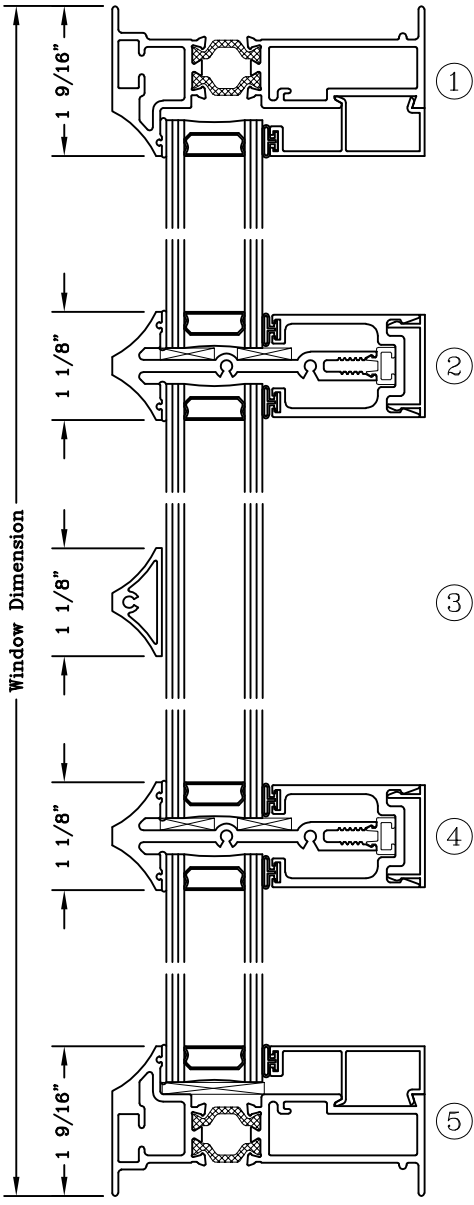


Series: SR6700

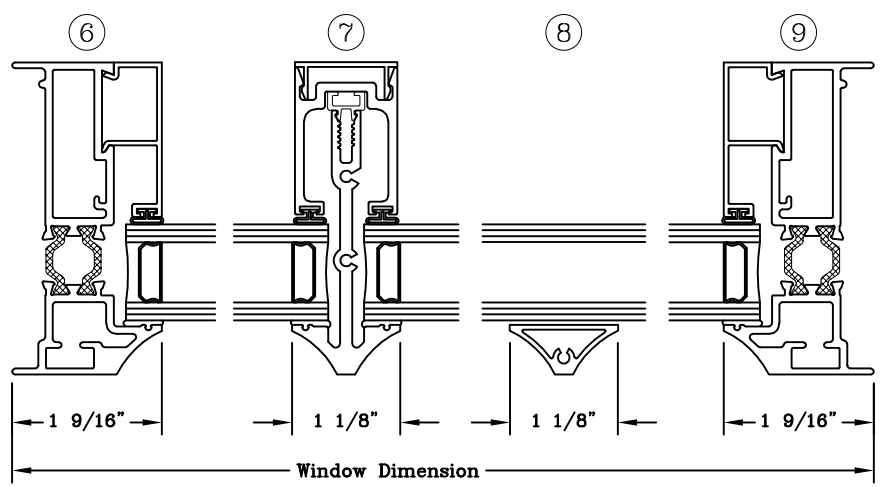
Manufacturing Code: SR6703

Drawing 1/2 Scale - For Custom Size Drawing Contact Graham

Note: Sealant Not Shown On Details. Refer To General Installation Instructions.



ELEVATION



Grid And True Muntin Options

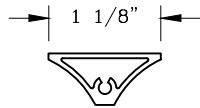


Series: SR6700

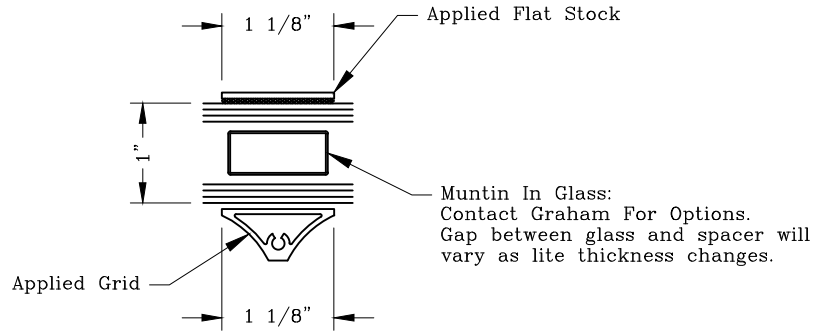
Manufacturing Code: SR6710

Drawing 1/2 Scale – For Custom Size Drawing Contact Graham

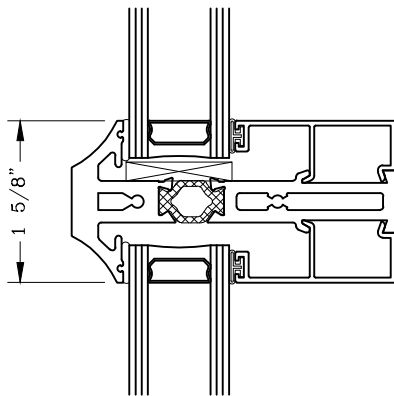
Note: Sealant Not Shown On Details. Refer To General Installation Instructions.



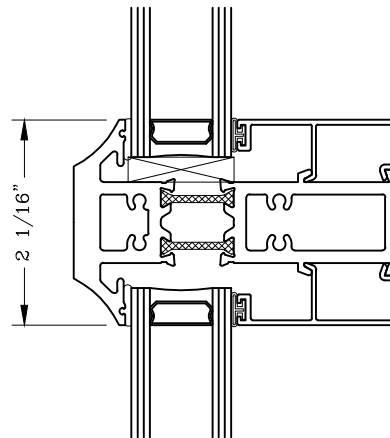
Applied Grid



Triple Grid
(1" IG with 1/4"-1/4" Lites Shown)



Fixed/Fixed Intermediate
P/N 675055



Fixed/Fixed Intermediate
P/N 675056

Simulated Vent Options

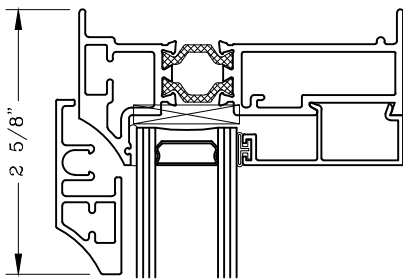
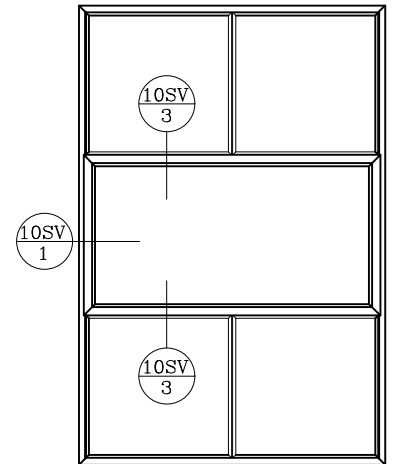
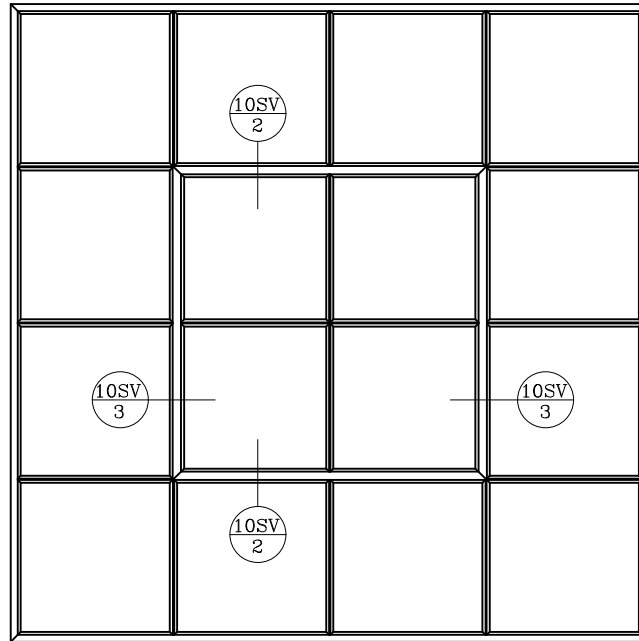
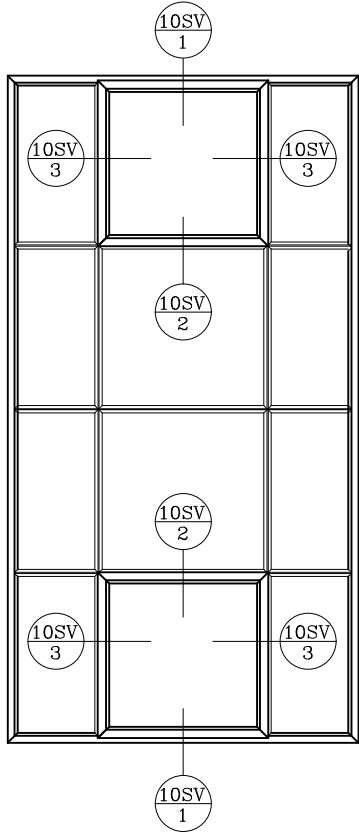


Series: SR6700

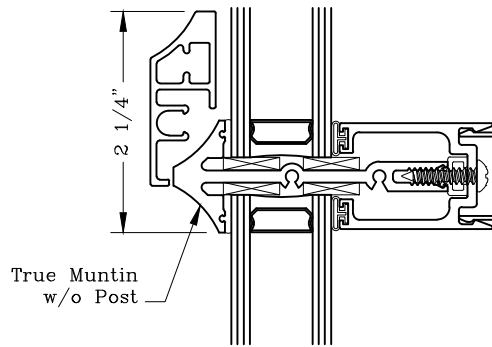
Manufacturing Code: SR6710SV

Drawing 1/2 Scale – For Custom Size Drawing Contact Graham

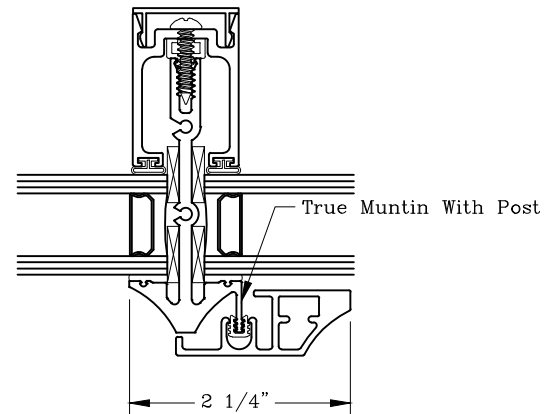
Note: Sealant Not Shown On Details. Refer To General Installation Instructions.



Detail 1
Head Sill or Jamb
See Elevation For Locations



Detail 2
Horizontal or Vertical
See Elevation For Locations



Detail 3
Horizontal or Vertical
See Elevation For Locations

Note:

- Simulated Vent #675067 attachment to true muntin with gasket post
- Gasket post must be on (2) opposite sides

Graham Architectural Products reserves the right to change, add, cancel, remove or otherwise modify the details illustrated without prior notice.

1551 Mt. Rose Avenue, York, Pennsylvania 17403-2909 717.849.8100 Toll Free: 800/755-6274

0923 – SR67.10SV

Web Site: www.grahamwindows.com

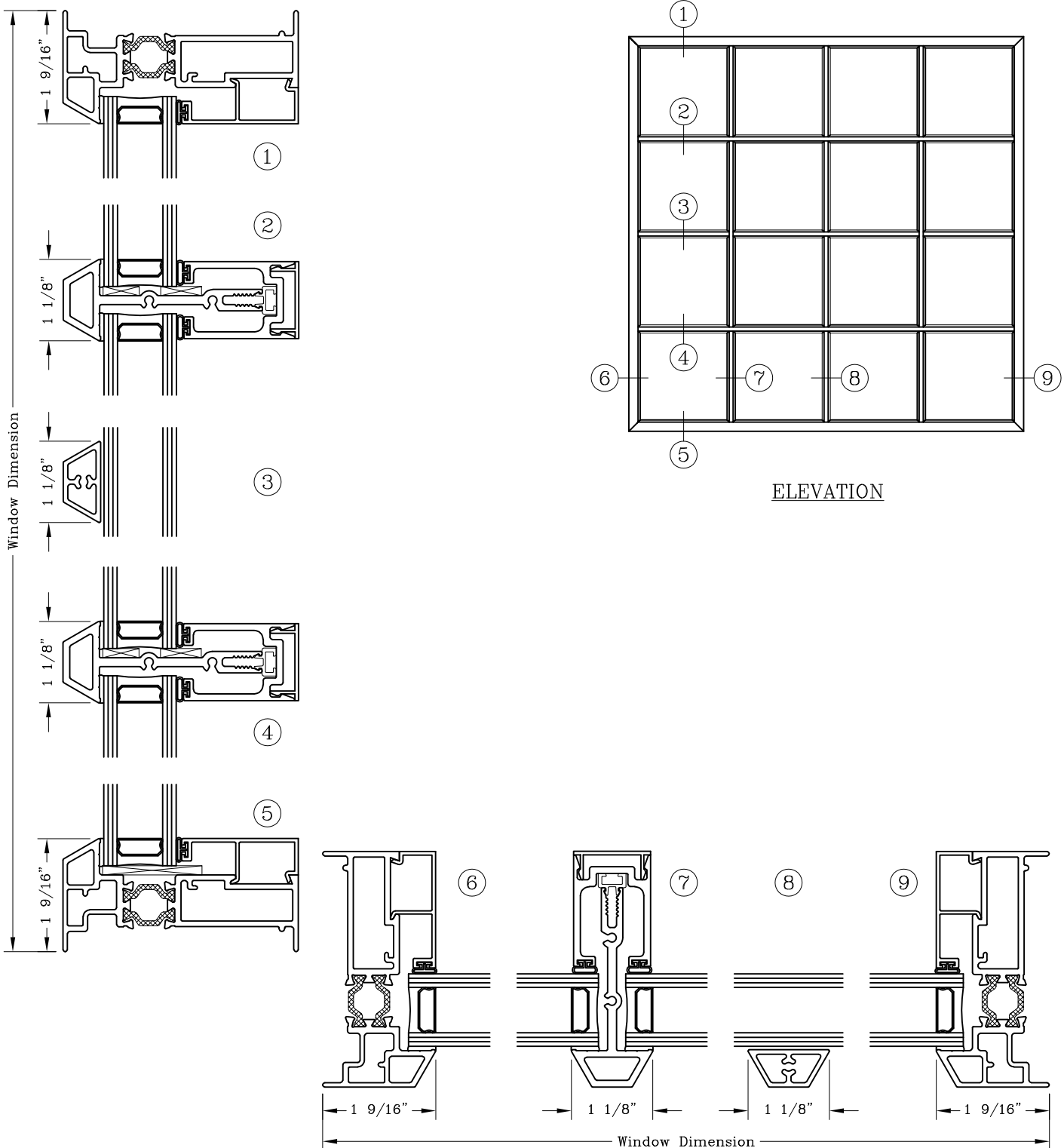
Fixed - 3 1/4"



Series: SR6700B Manufacturing Code: SR67B03

Drawing 1/2 Scale - For Custom Size Drawing Contact Graham

Note: Sealant Not Shown On Details. Refer To General Installation Instructions.



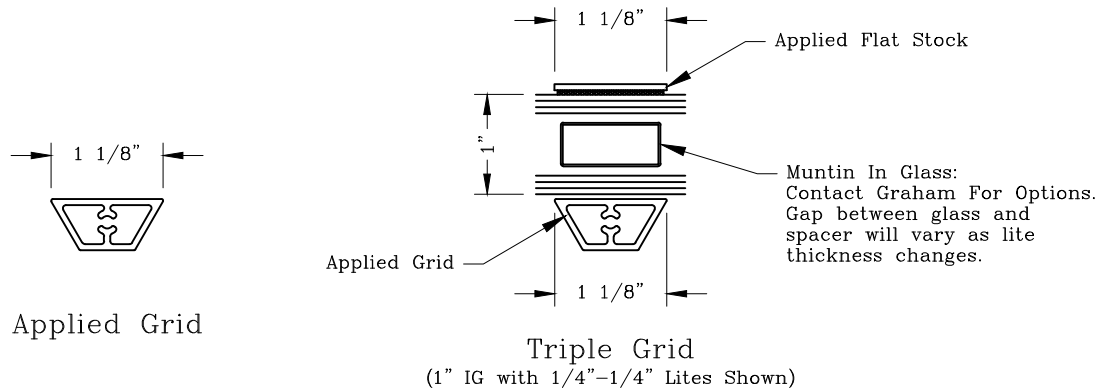
Grid Options



Series: SR6700B Manufacturing Code: SR67B10

Drawing 1/2 Scale – For Custom Size Drawing Contact Graham

Note: Sealant Not Shown On Details. Refer To General Installation Instructions.



Graham Architectural Products reserves the right to change, add, cancel, remove or otherwise modify the details illustrated without prior notice.

1551 Mt. Rose Avenue, York, Pennsylvania 17403-2909 717.849.8100 Toll Free: 800/755-6274 0823 - SR67B.10

Web Site: www.grahamwindows.com

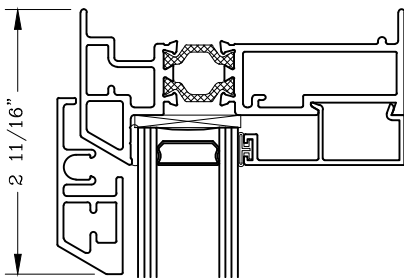
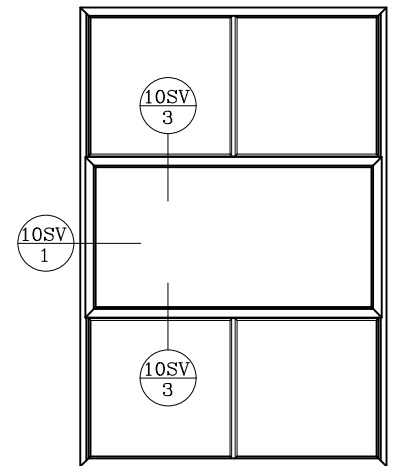
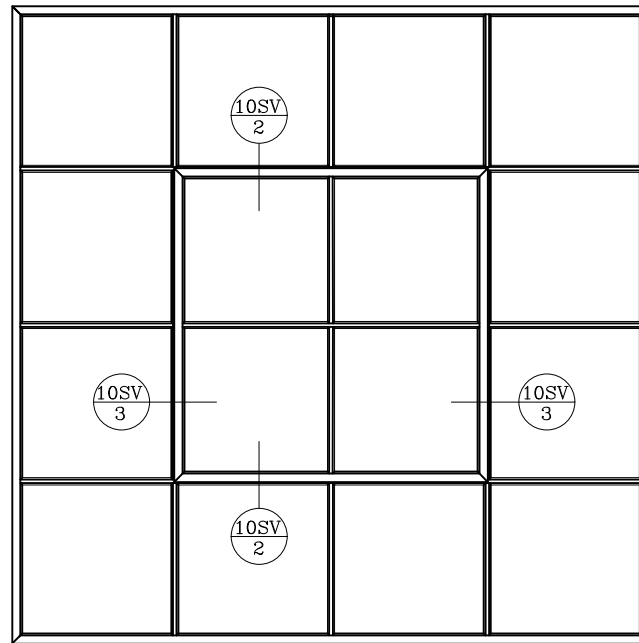
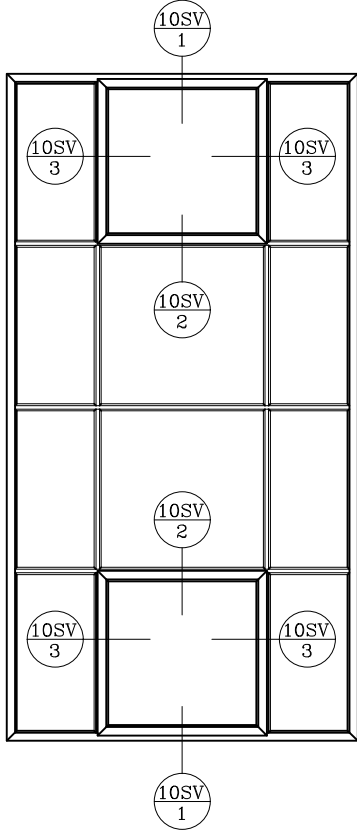
Simulated Vent Options



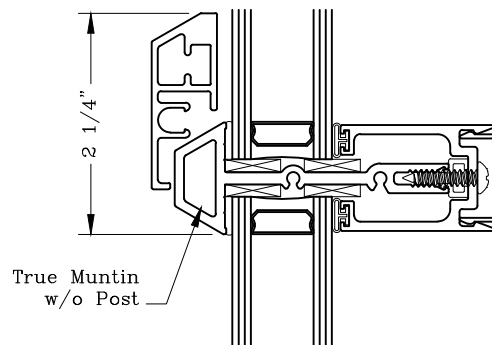
Series: SR6700B Manufacturing Code: SR67B10SV

Drawing 1/2 Scale – For Custom Size Drawing Contact Graham

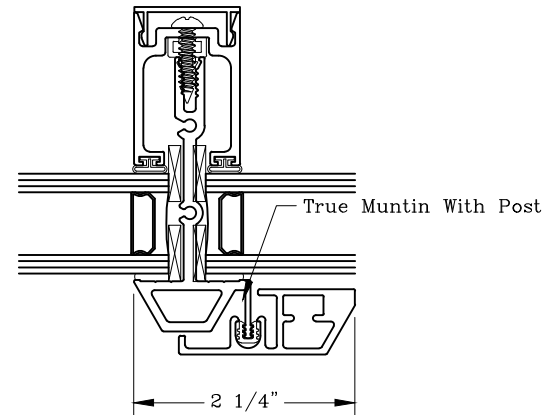
Note: Sealant Not Shown On Details. Refer To General Installation Instructions.



Detail 1
Head Sill or Jamb
See Elevation For
Locations



Detail 2
Horizontal or Vertical
See Elevation For
Locations



Detail 3
Horizontal or Vertical
See Elevation For
Locations

Note:

- Simulated Vent #674067 attachment to true muntin with gasket post
- Gasket post must be on (2) opposite sides

Graham Architectural Products reserves the right to change, add, cancel, remove or otherwise modify the details illustrated without prior notice.

1551 Mt. Rose Avenue, York, Pennsylvania 17403-2909 717.849.8100 Toll Free: 800/755-6274 0923 – SR67B.10SV
Web Site: www.grahamwindows.com

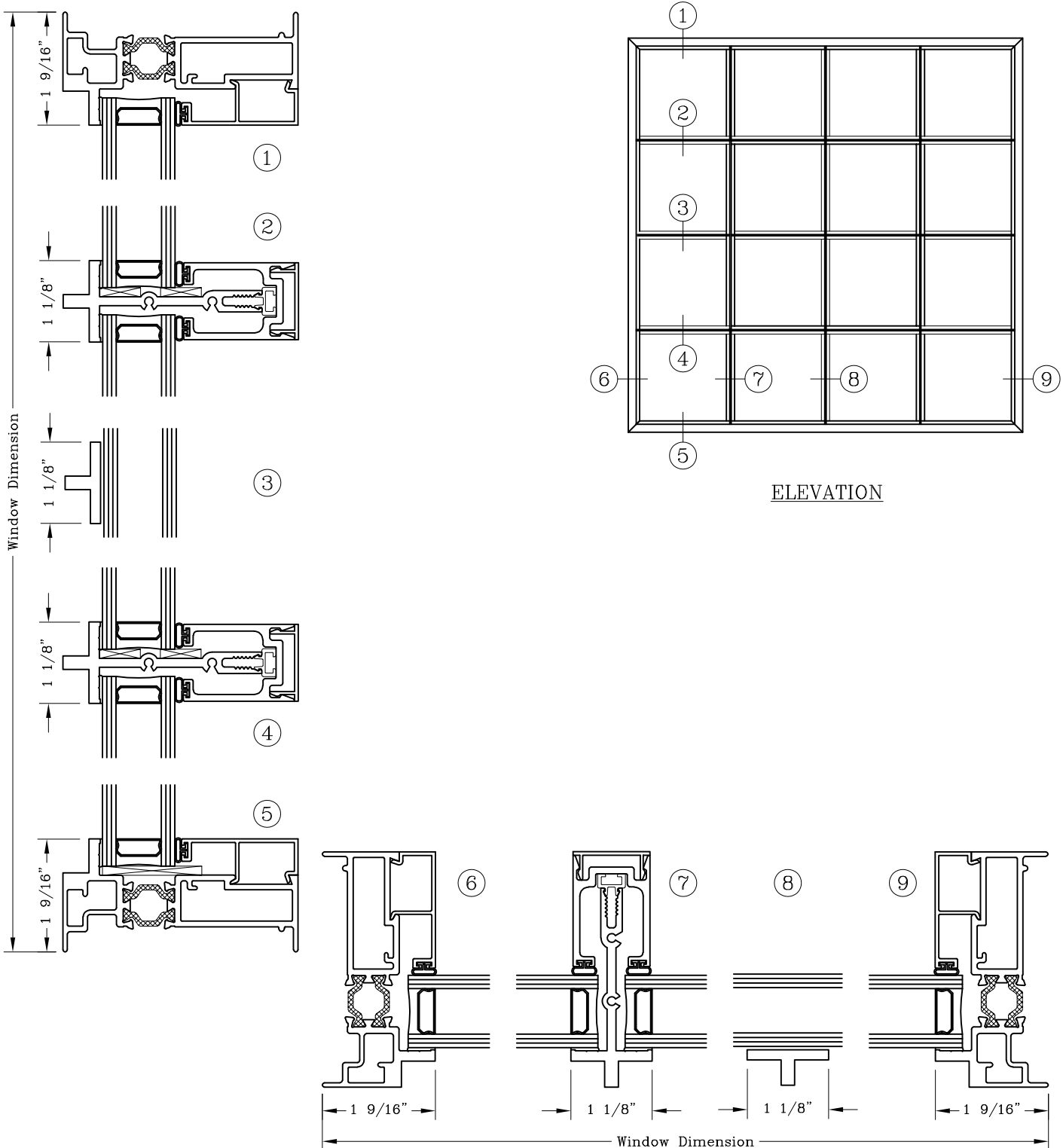
Fixed - 3 1/4"



Series: SR6700T Manufacturing Code: SR67T03

Drawing 1/2 Scale - For Custom Size Drawing Contact Graham

Note: Sealant Not Shown On Details. Refer To General Installation Instructions.



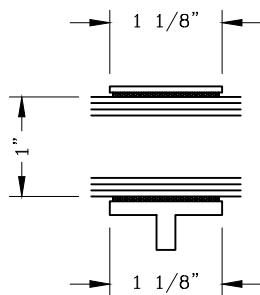
Grid Options



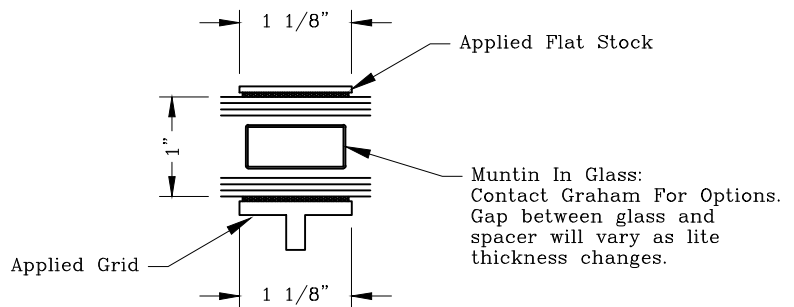
Series: SR6700T Manufacturing Code: SR67T10

Drawing 1/2 Scale – For Custom Size Drawing Contact Graham

Note: Sealant Not Shown On Details. Refer To General Installation Instructions.



Applied Grid
(Note: Applied Grids Are
Tape Applied To Lite)



Triple Grid
(1" IG with 1/4"-1/4" Lites Shown)