

Floating Vent - 3 1/4" Horizontals

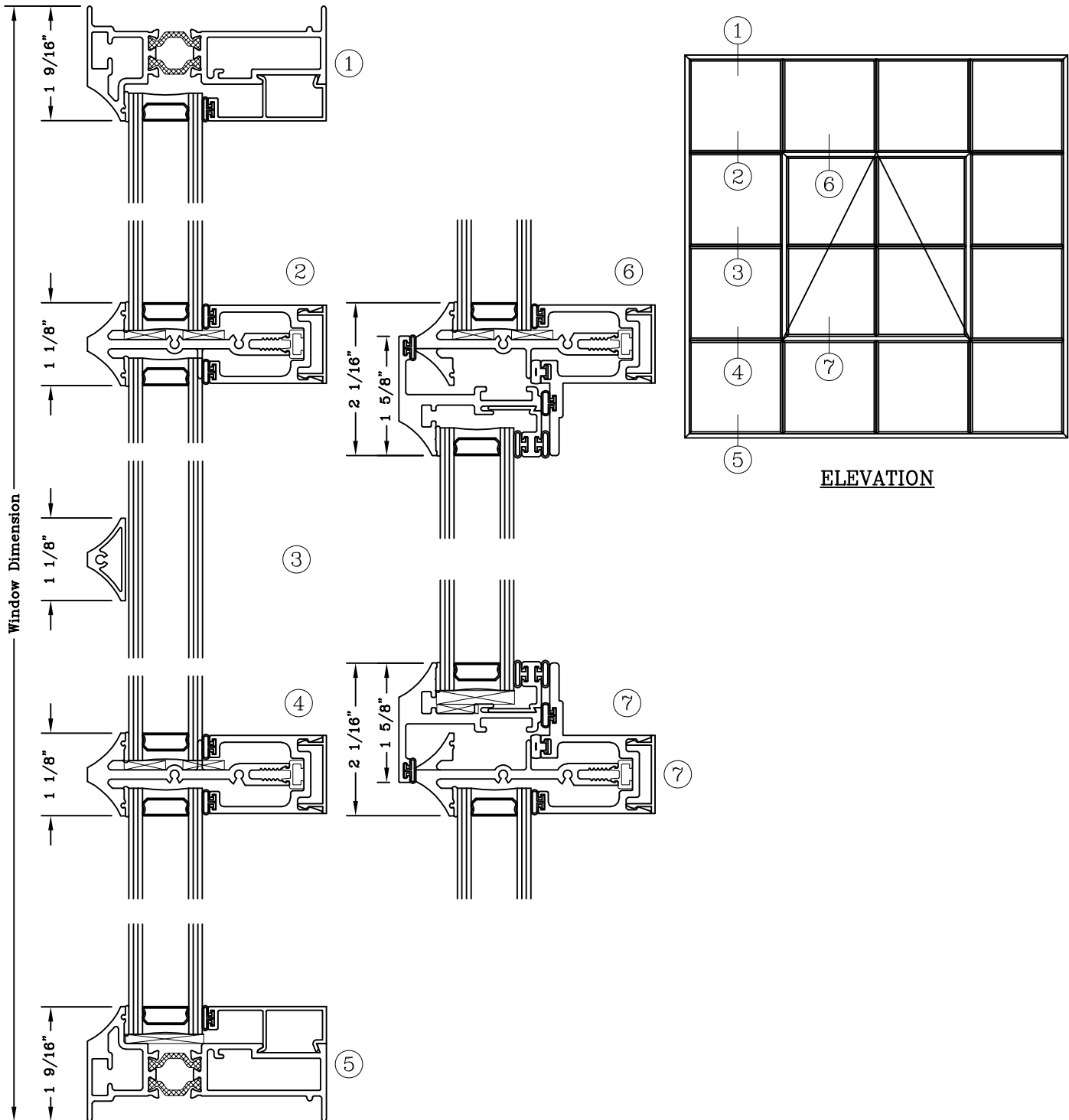


Series: SR6700

Manufacturing Code: SR6701

Drawing 1/2 Scale - For Custom Size Drawing Contact Graham

Note: Sealant Not Shown On Details. Refer To General Installation Instructions.



Graham Architectural Products reserves the right to change, add, cancel, remove or otherwise modify the details illustrated without prior notice.

1551 Mt. Rose Avenue, York, Pennsylvania 17403-2909 717.849.8100 Toll Free: 800/755-6274

0223 - SR67.01

Web Site: www.grahamwindows.com

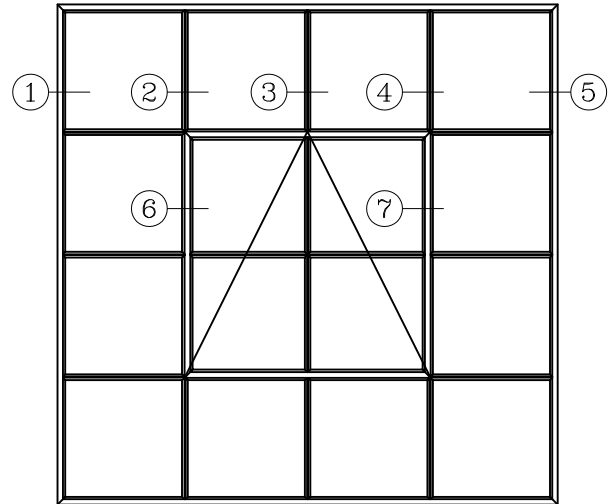
Floating Vent - 3 1/4" Verticals



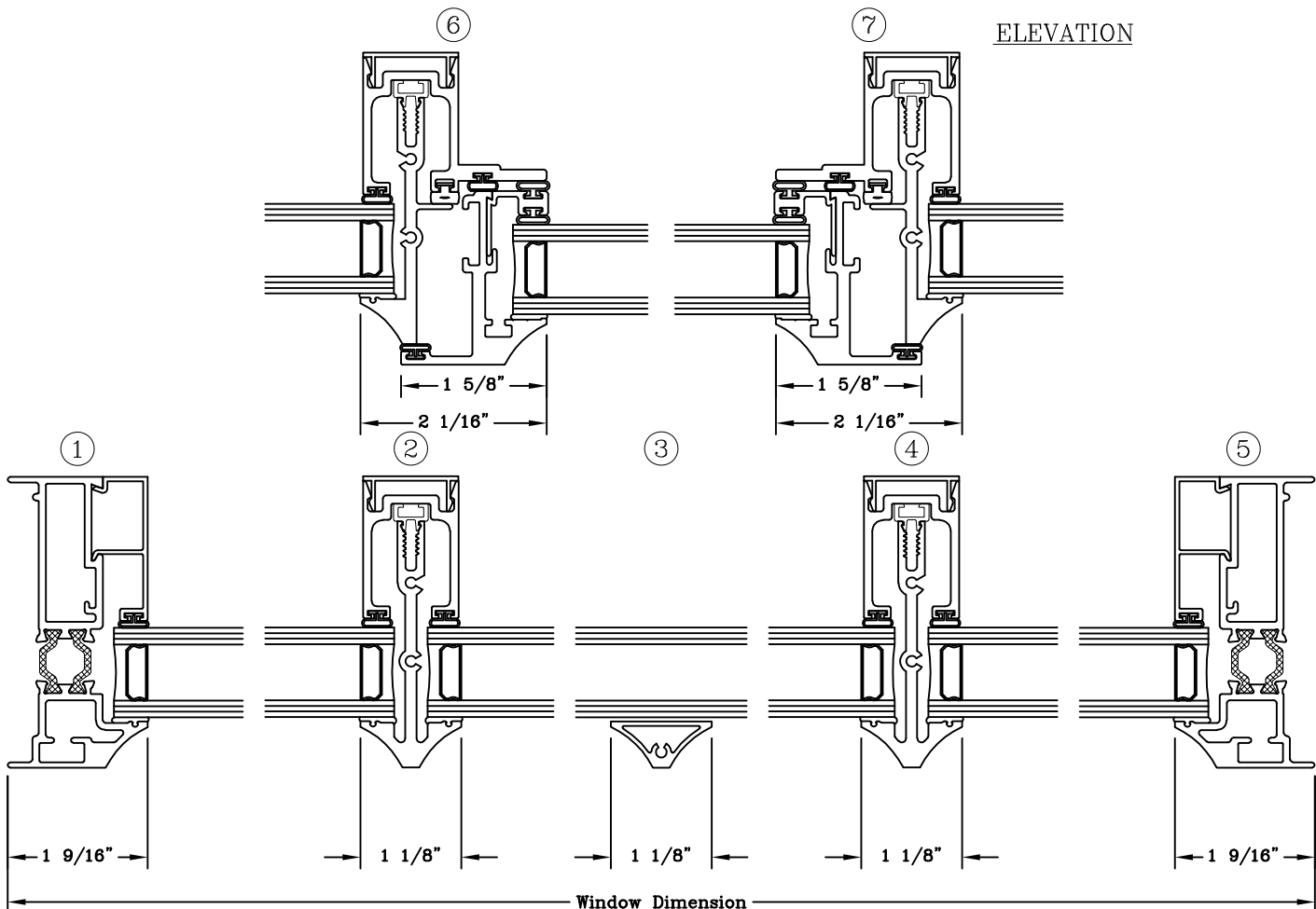
Series: SR6700 Manufacturing Code: SR6702

Drawing 1/2 Scale - For Custom Size Drawing Contact Graham

Note: Sealant Not Shown On Details. Refer To General Installation Instructions.



ELEVATION



Graham Architectural Products reserves the right to change, add, cancel, remove or otherwise modify the details illustrated without prior notice.

1551 Mt. Rose Avenue, York, Pennsylvania 17403-2909 717.849.8100 Toll Free: 800/755-6274

0223 - SR67.02

Web Site: www.grahamwindows.com

Perimeter Vent - 3 1/4" Horizontals

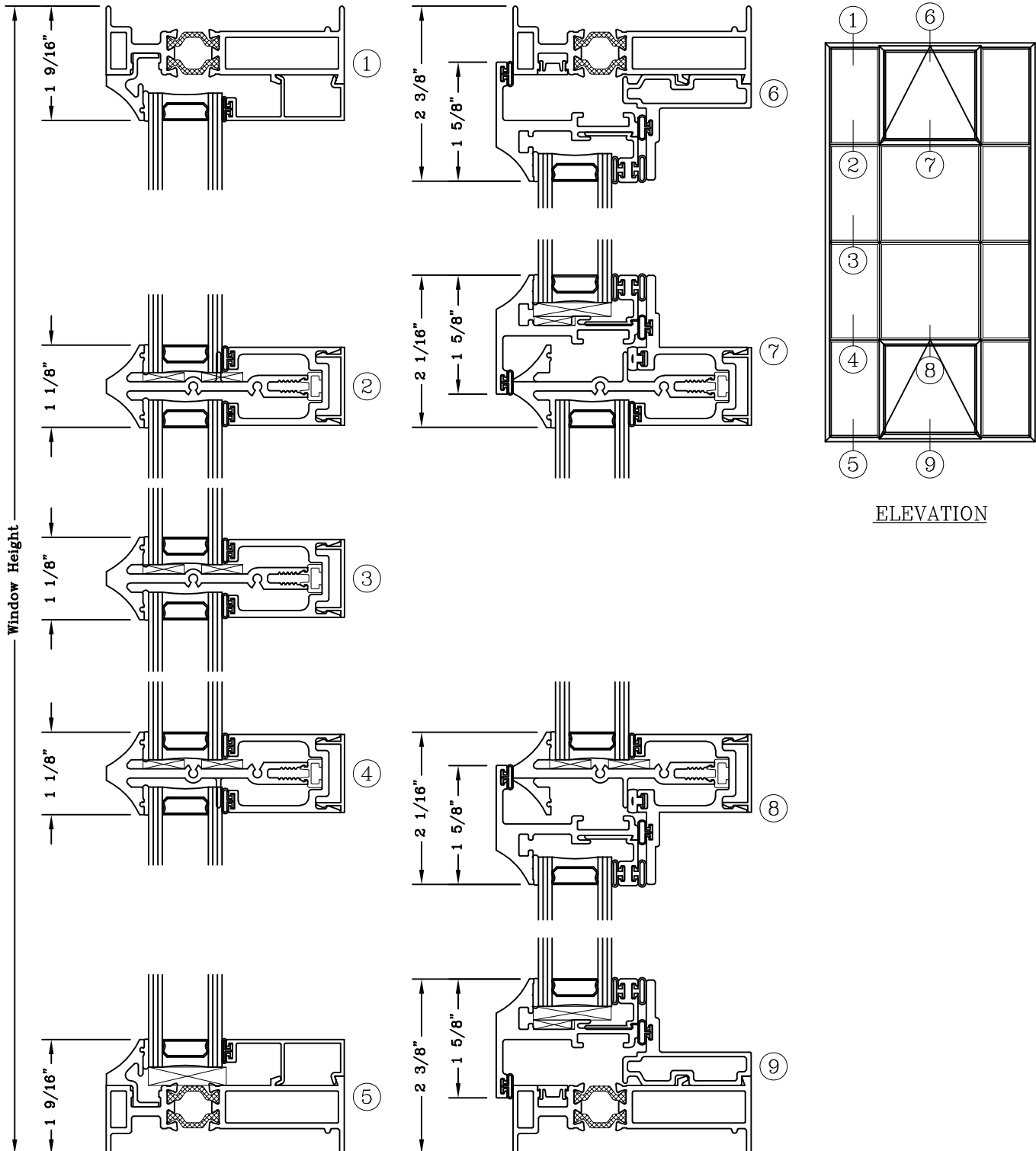


Series: SR6700

Manufacturing Code: SR6704

Drawing 1/2 Scale - For Custom Size Drawing Contact Graham

Note: Sealant Not Shown On Details. Refer To General Installation Instructions.



ELEVATION

Graham Architectural Products reserves the right to change, add, cancel, remove or otherwise modify the details illustrated without prior notice.

1551 Mt. Rose Avenue, York, Pennsylvania 17403-2909 717.849.8100 Toll Free: 800/755-6274

0223 - SR67.04

Web Site: www.grahamwindows.com

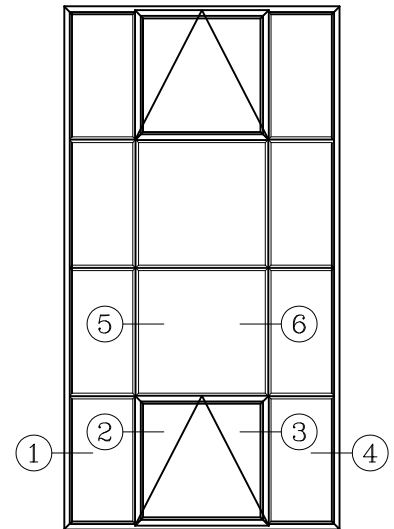
Perimeter Vent - 3 1/4" Verticals



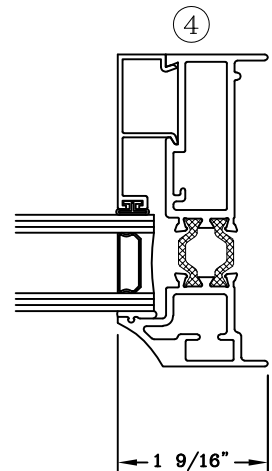
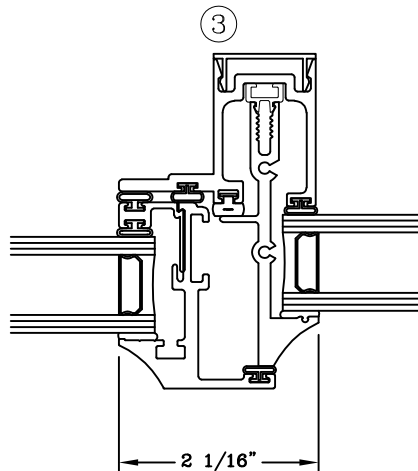
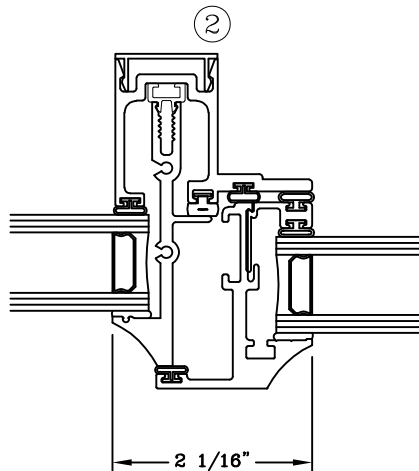
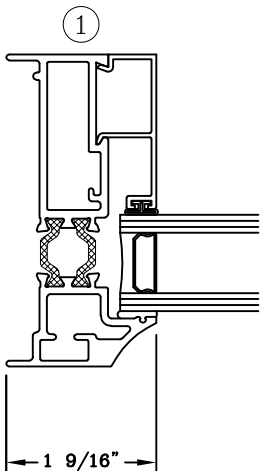
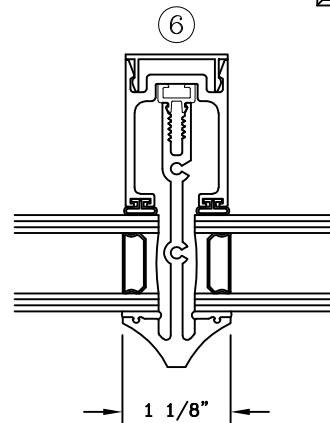
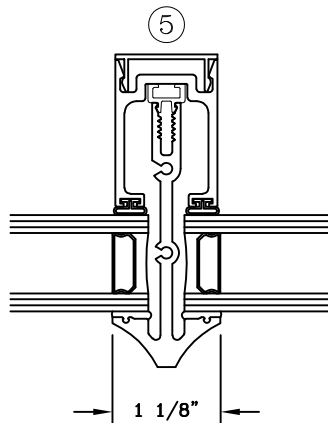
Series: SR6700 Manufacturing Code: SR6705

Drawing 1/2 Scale - For Custom Size Drawing Contact Graham

Note: Sealant Not Shown On Details. Refer To General Installation Instructions.



ELEVATION



Window Dimension

Graham Architectural Products reserves the right to change, add, cancel, remove or otherwise modify the details illustrated without prior notice.

1551 Mt. Rose Avenue, York, Pennsylvania 17403-2909 717.849.8100 Toll Free: 800/755-6274

0223 - SR67.05

Web Site: www.grahamwindows.com

Full Width Vent - 3 1/4" Horizontals

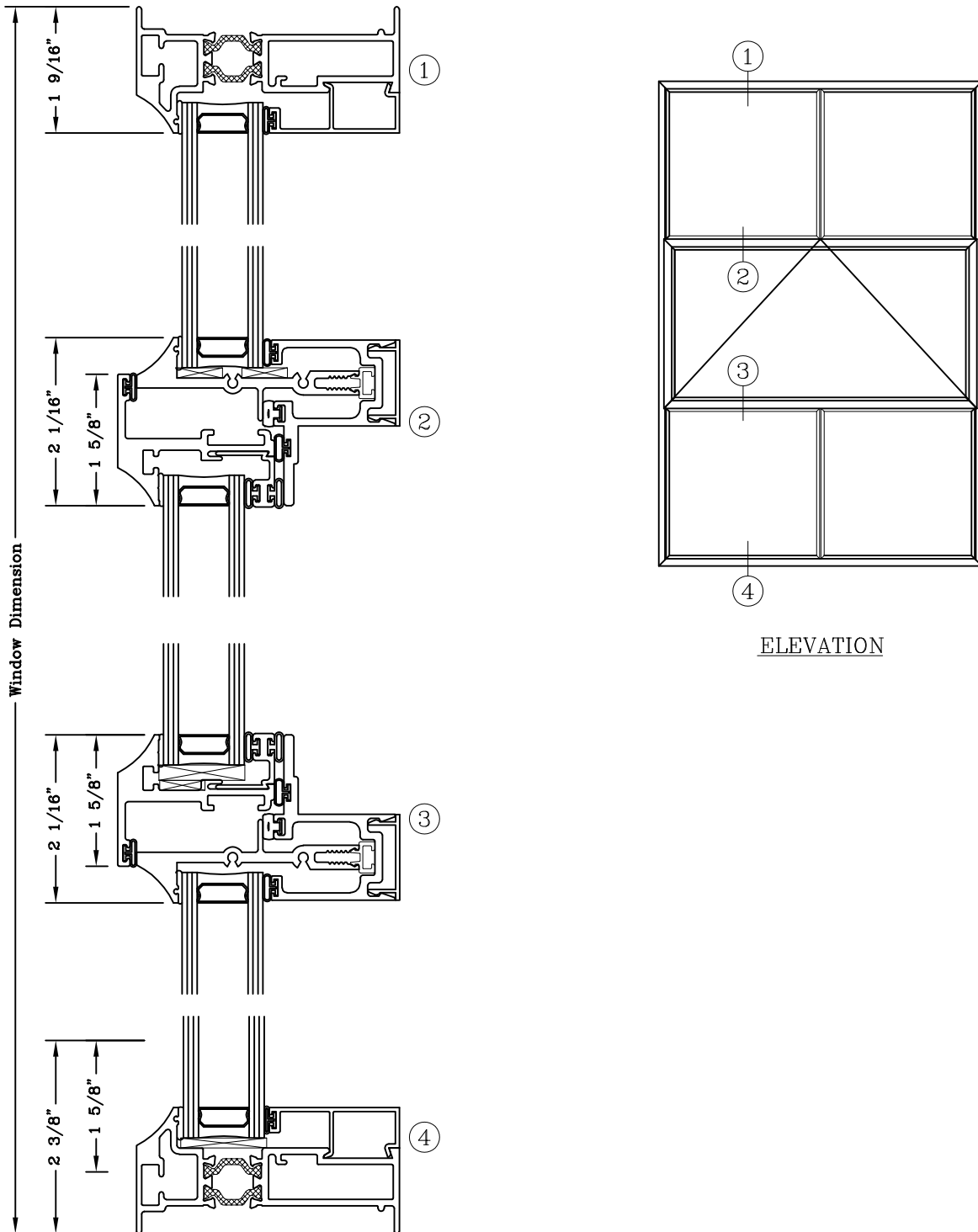


Series: SR6700

Manufacturing Code: SR6706

Drawing 1/2 Scale - For Custom Size Drawing Contact Graham

Note: Sealant Not Shown On Details. Refer To General Installation Instructions.



ELEVATION

Graham Architectural Products reserves the right to change, add, cancel, remove or otherwise modify the details illustrated without prior notice.

1551 Mt. Rose Avenue, York, Pennsylvania 17403-2909 717.849.8100 Toll Free: 800/755-6274

0223 - SR67.06

Web Site: www.grahamwindows.com

Full Width Vent - 3 1/4" Verticals

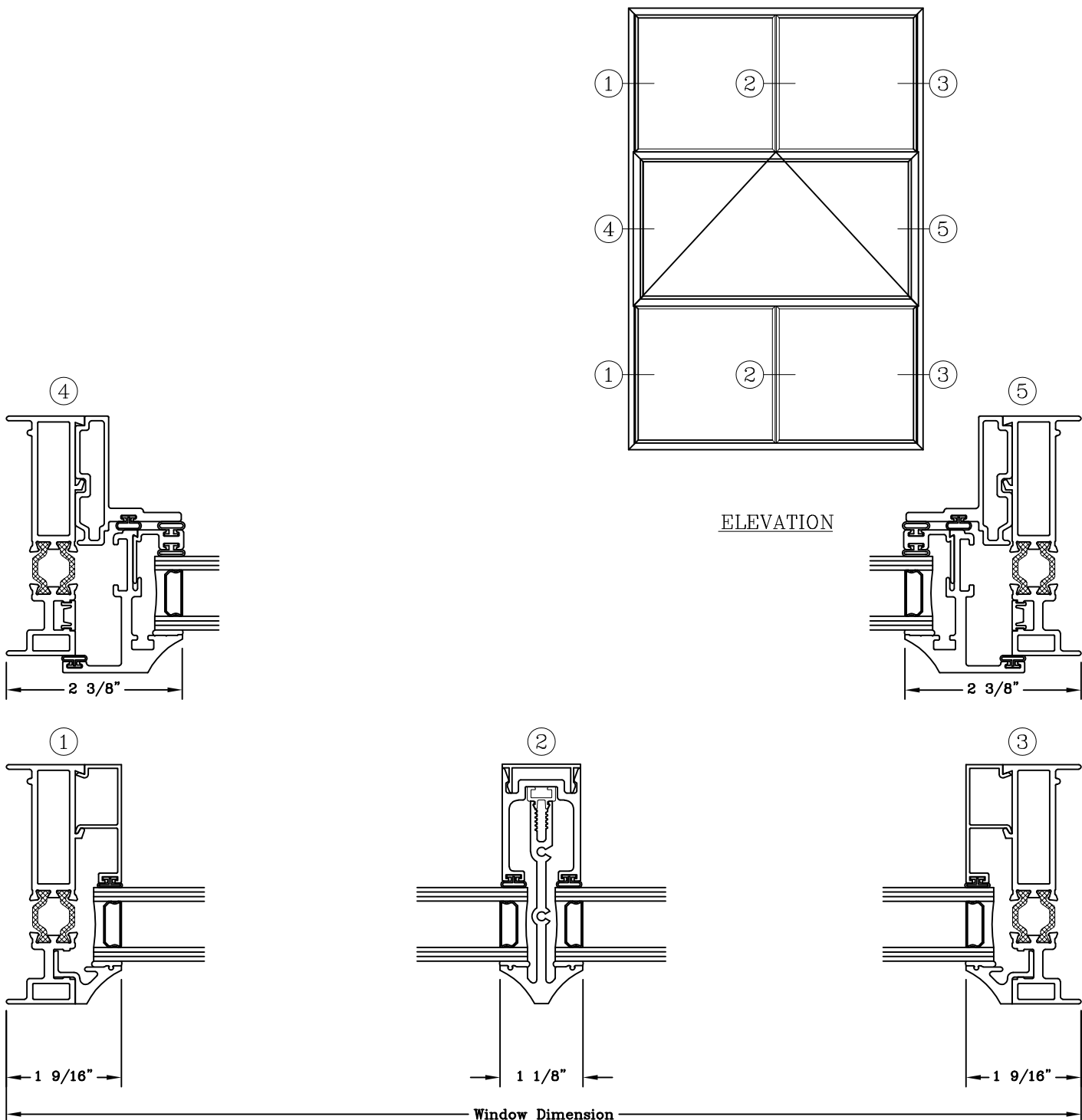


Series: SR6700

Manufacturing Code: SR6707

Drawing 1/2 Scale - For Custom Size Drawing Contact Graham

Note: Sealant Not Shown On Details. Refer To General Installation Instructions.



ELEVATION

Graham Architectural Products reserves the right to change, add, cancel, remove or otherwise modify the details illustrated without prior notice.

1551 Mt. Rose Avenue, York, Pennsylvania 17403-2909 717.849.8100 Toll Free: 800/755-6274

0223 - SR67.07

Web Site: www.grahamwindows.com

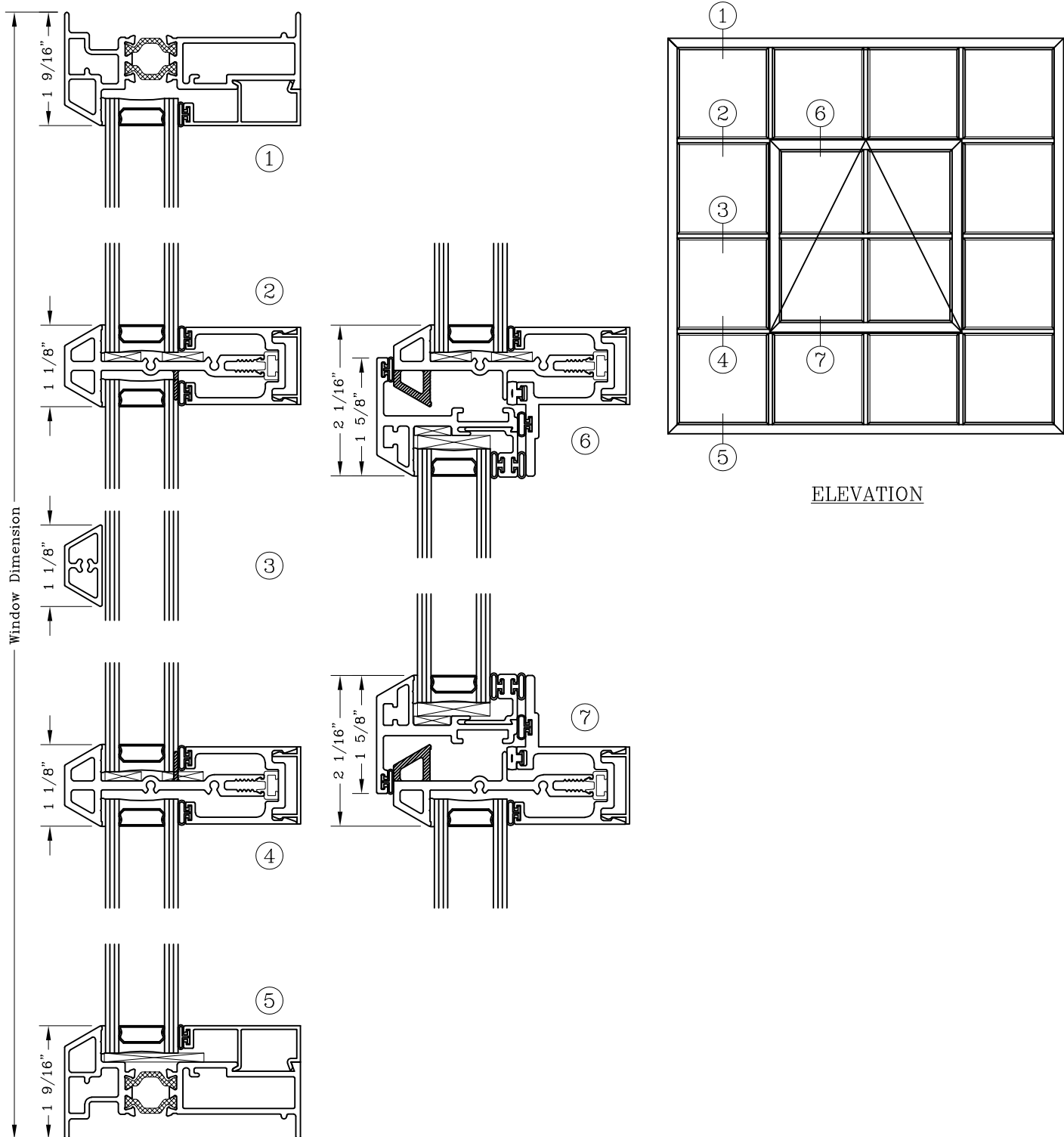
Floating Vent - 3 1/4" Horizontals



Series: SR6700B Manufacturing Code: SR67B01

Drawing 1/2 Scale - For Custom Size Drawing Contact Graham

Note: Sealant Not Shown On Details. Refer To General Installation Instructions.



ELEVATION

Graham Architectural Products reserves the right to change, add, cancel, remove or otherwise modify the details illustrated without prior notice.

1551 Mt. Rose Avenue, York, Pennsylvania 17403-2909 717.849.8100 Toll Free: 800/755-6274 0223 - SR67B.01

Web Site: www.grahamwindows.com

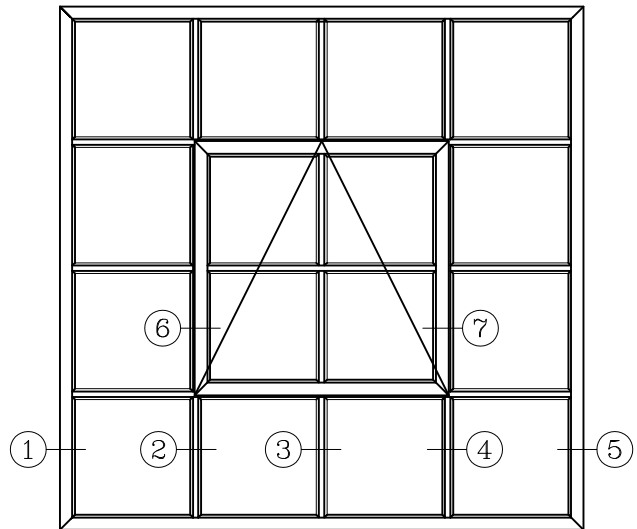
Floating Vent - 3 1/4" Verticals



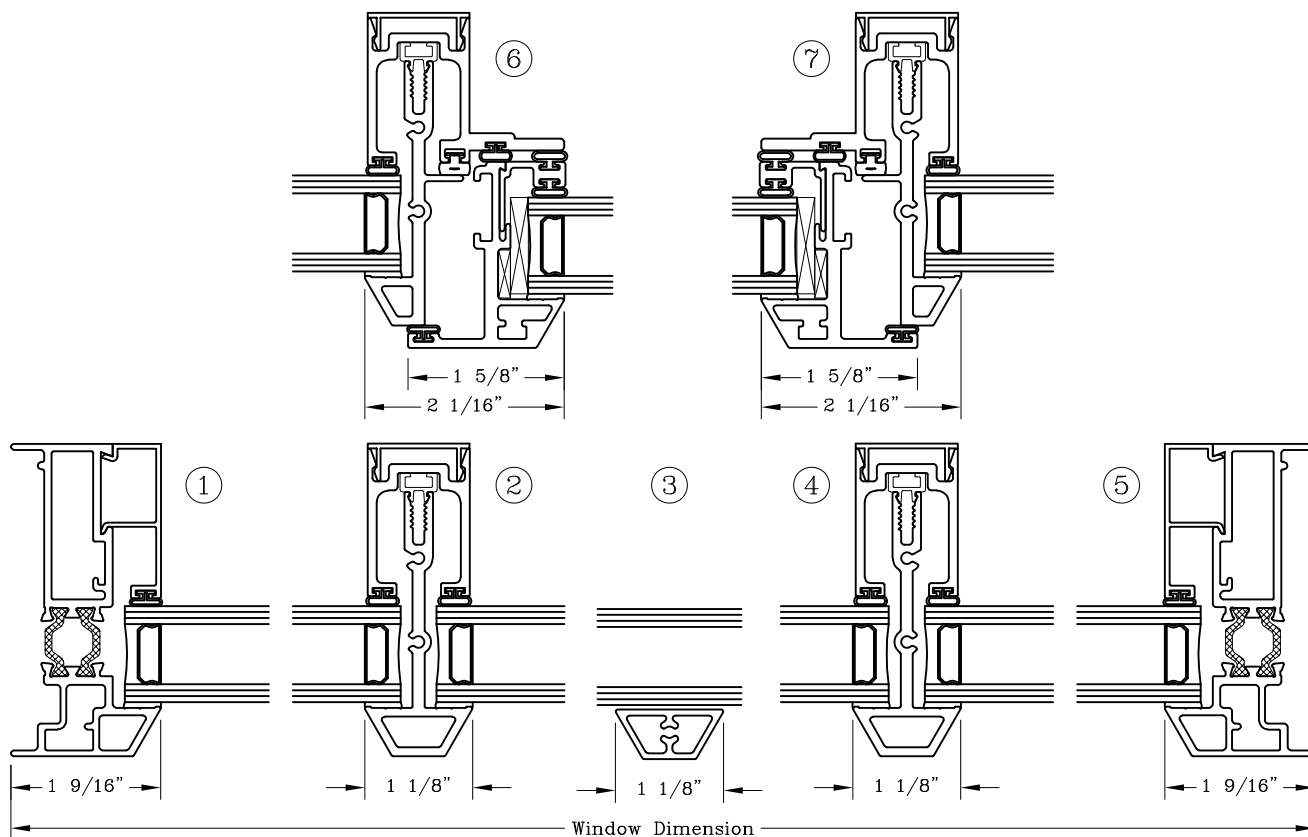
Series: SR6700B Manufacturing Code: SR67B02

Drawing 1/2 Scale - For Custom Size Drawing Contact Graham

Note: Sealant Not Shown On Details. Refer To General Installation Instructions.



ELEVATION



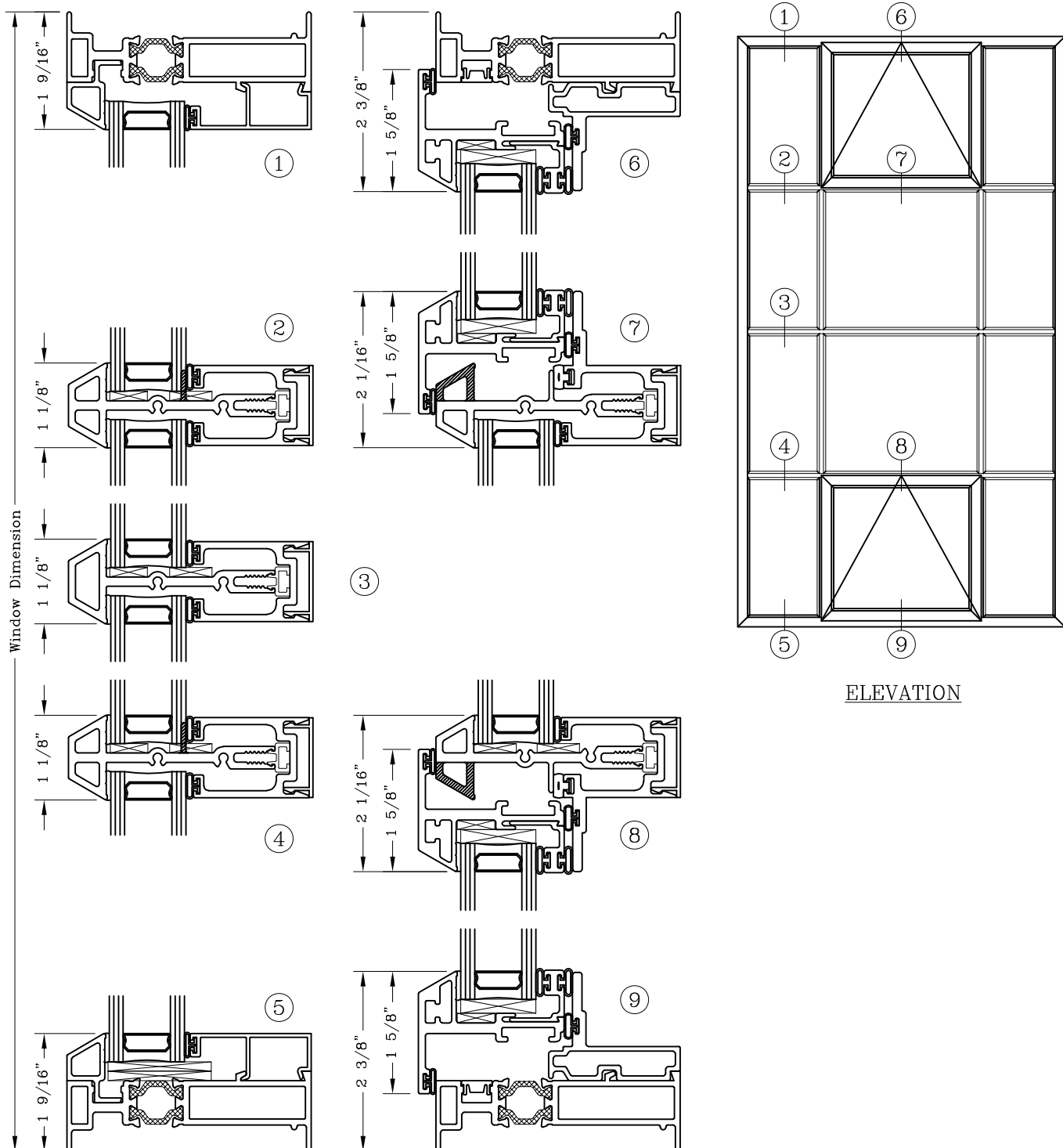
Perimeter Vent - 3 1/4" Horizontals



Series: SR6700B Manufacturing Code: SR67B04

Drawing 1/2 Scale - For Custom Size Drawing Contact Graham

Note: Sealant Not Shown On Details. Refer To General Installation Instructions.



Graham Architectural Products reserves the right to change, add, cancel, remove or otherwise modify the details illustrated without prior notice.

1551 Mt. Rose Avenue, York, Pennsylvania 17403-2909 717.849.8100 Toll Free: 800/755-6274 0223 - SR67B.04

Web Site: www.grahamwindows.com

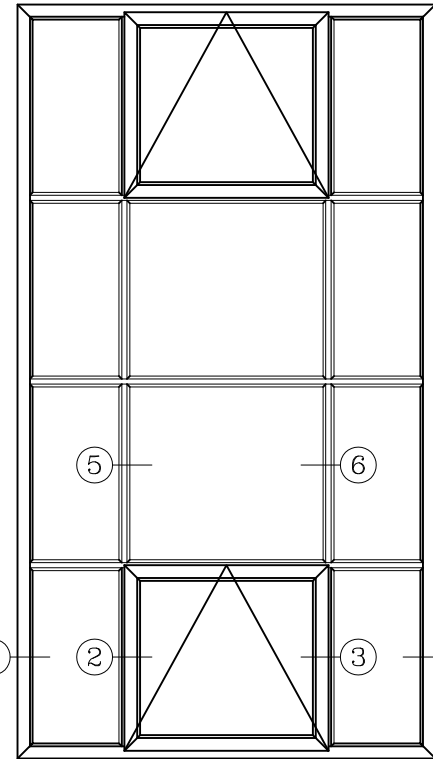
Perimeter Vent - 3 1/4" Verticals



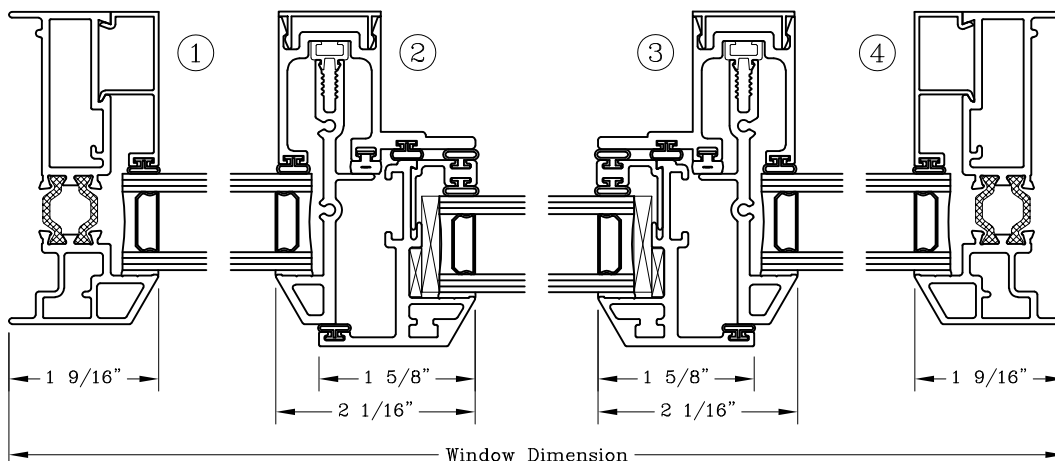
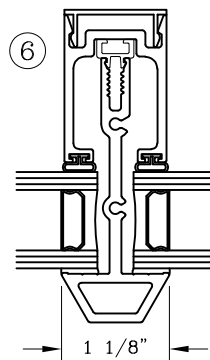
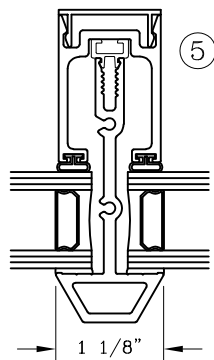
Series: SR6700B Manufacturing Code: SR67B05

Drawing 1/2 Scale - For Custom Size Drawing Contact Graham

Note: Sealant Not Shown On Details. Refer To General Installation Instructions.



ELEVATION



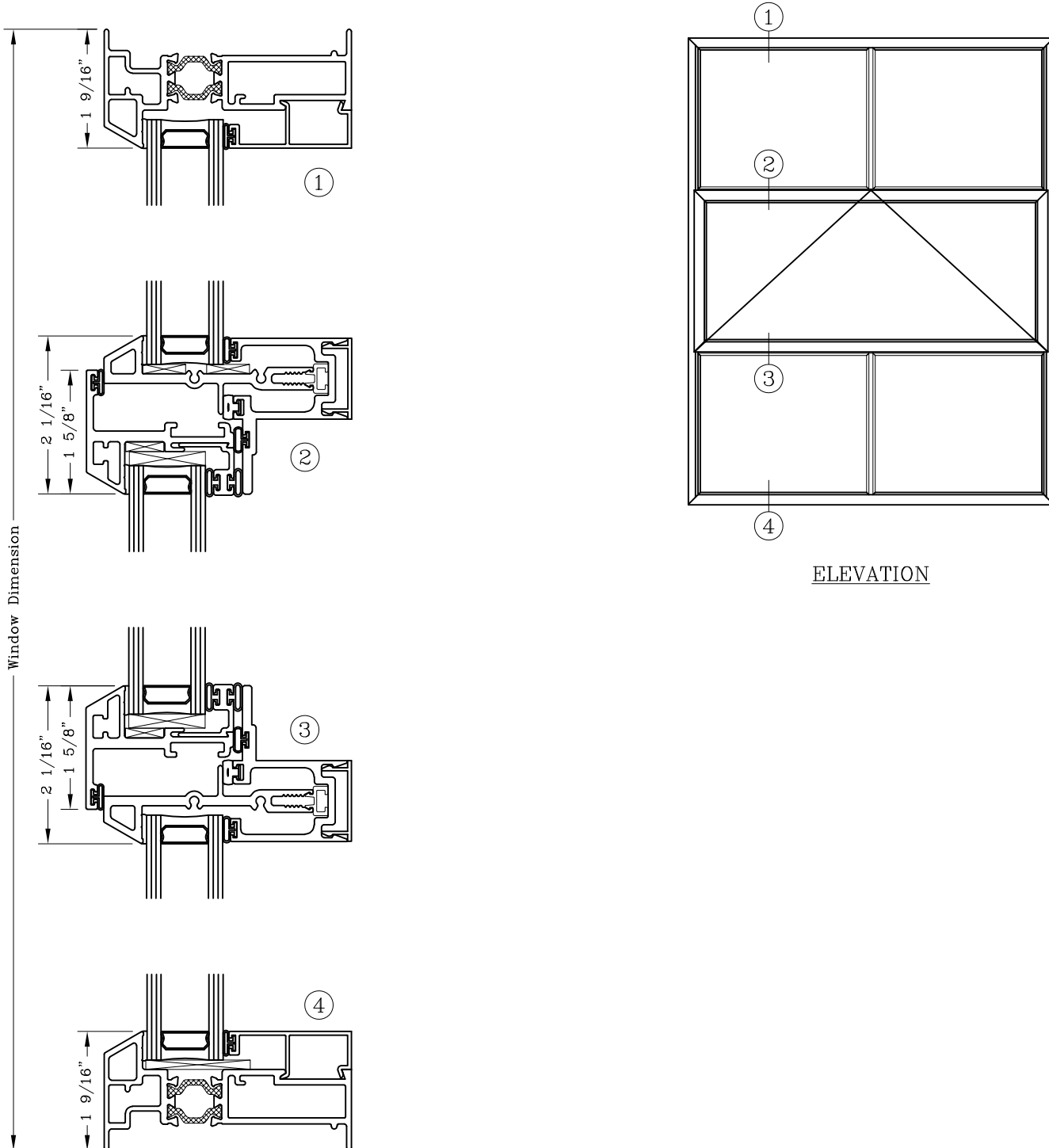
Full Width Vent - 3 1/4" Horizontals



Series: SR6700B Manufacturing Code: SR67B06

Drawing 1/2 Scale - For Custom Size Drawing Contact Graham

Note: Sealant Not Shown On Details. Refer To General Installation Instructions.



Graham Architectural Products reserves the right to change, add, cancel, remove or otherwise modify the details illustrated without prior notice.

1551 Mt. Rose Avenue, York, Pennsylvania 17403-2909 717.849.8100 Toll Free: 800/755-6274 0223 - SR67B.06

Web Site: www.grahamwindows.com

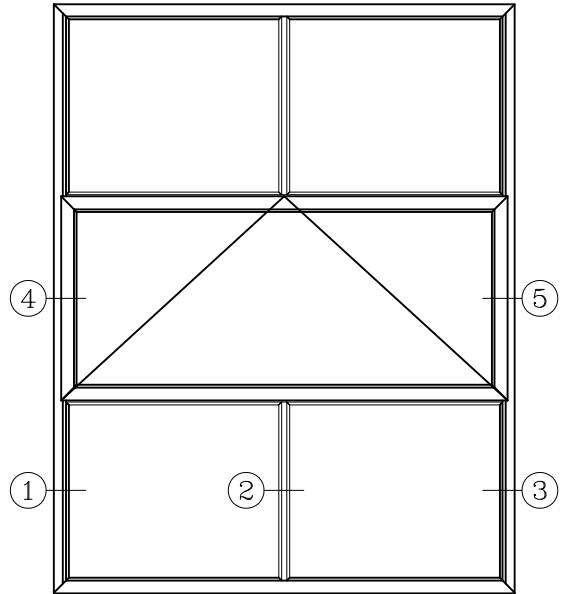
Full Width Vent - 3 1/4" Verticals



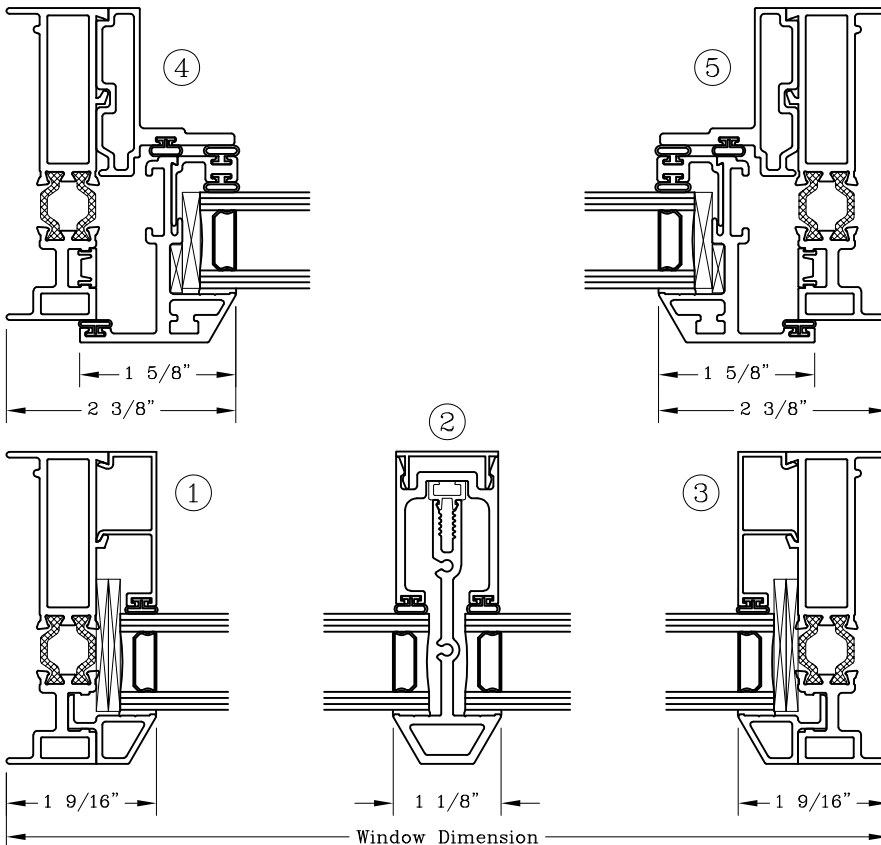
Series: SR6700B Manufacturing Code: SR67B07

Drawing 1/2 Scale - For Custom Size Drawing Contact Graham

Note: Sealant Not Shown On Details. Refer To General Installation Instructions.



ELEVATION



Graham Architectural Products reserves the right to change, add, cancel, remove or otherwise modify the details illustrated without prior notice.

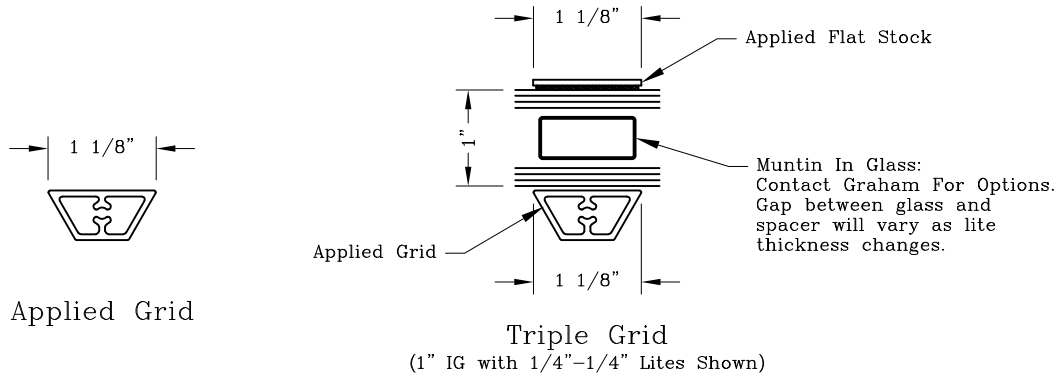
Grid Options



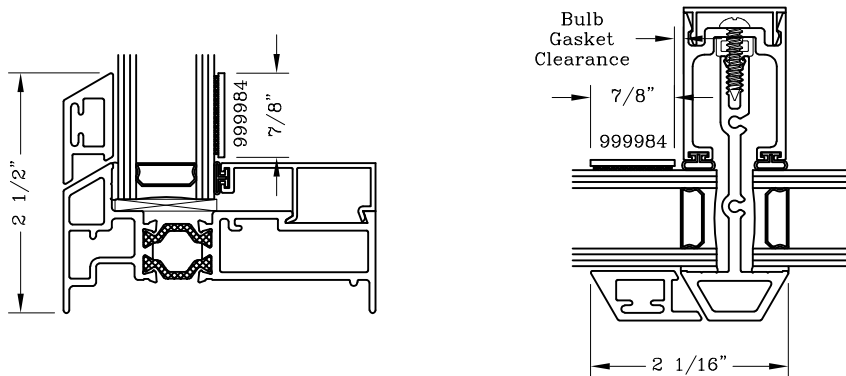
Series: SR6700B Manufacturing Code: SR67B10

Drawing 1/2 Scale – For Custom Size Drawing Contact Graham

Note: Sealant Not Shown On Details. Refer To General Installation Instructions.



Vent Sightline Applied Adapter
 (Note: Vent Sightline Adapters Are Tape Applied To Lite)



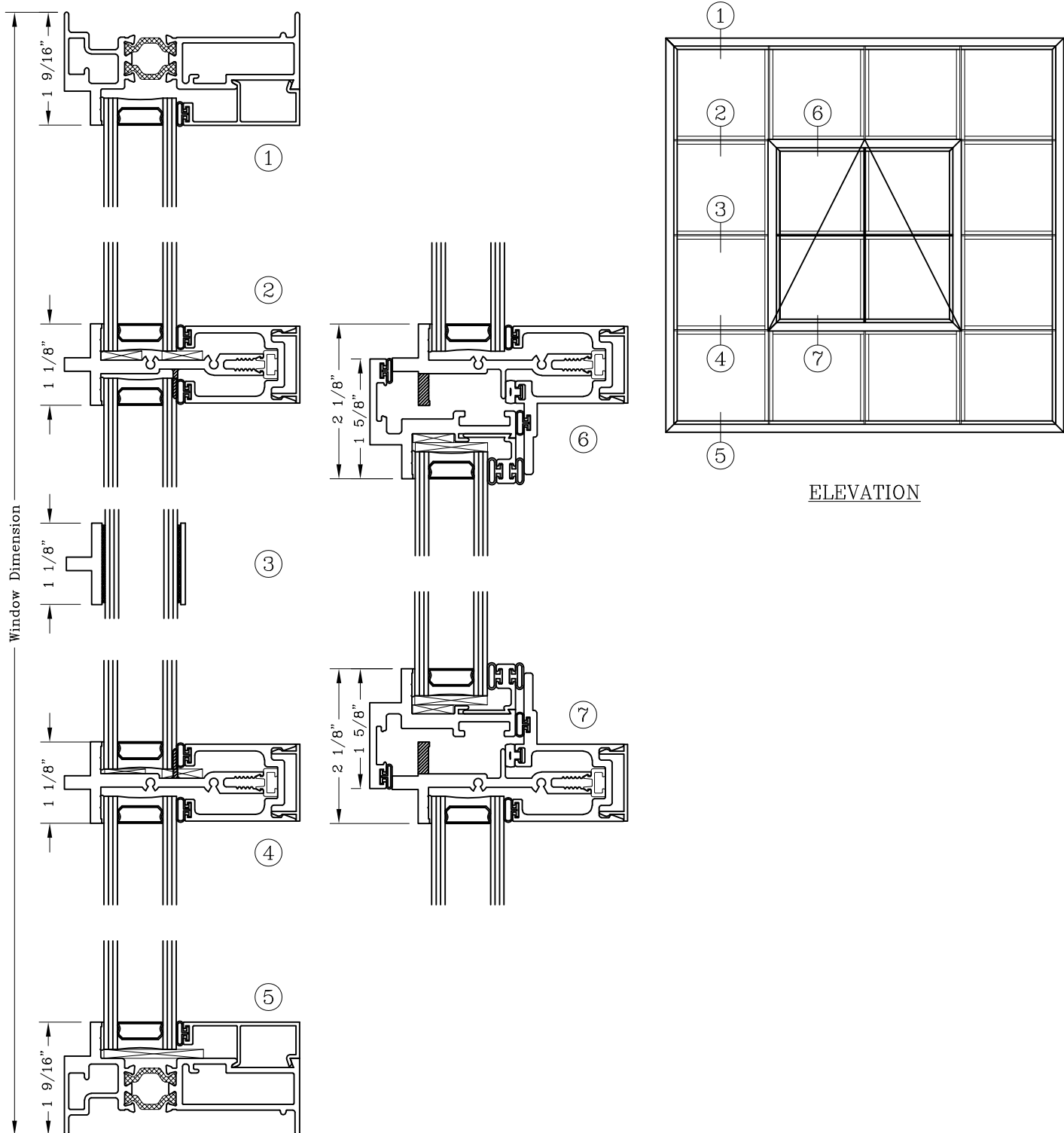
Floating Vent - 3 1/4" Horizontals



Series: SR6700T Manufacturing Code: SR67T01

Drawing 1/2 Scale - For Custom Size Drawing Contact Graham

Note: Sealant Not Shown On Details. Refer To General Installation Instructions.



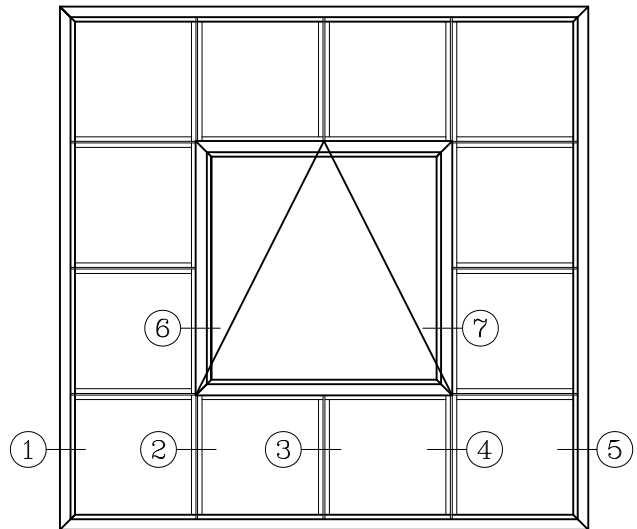
Floating Vent - 3 1/4" Verticals



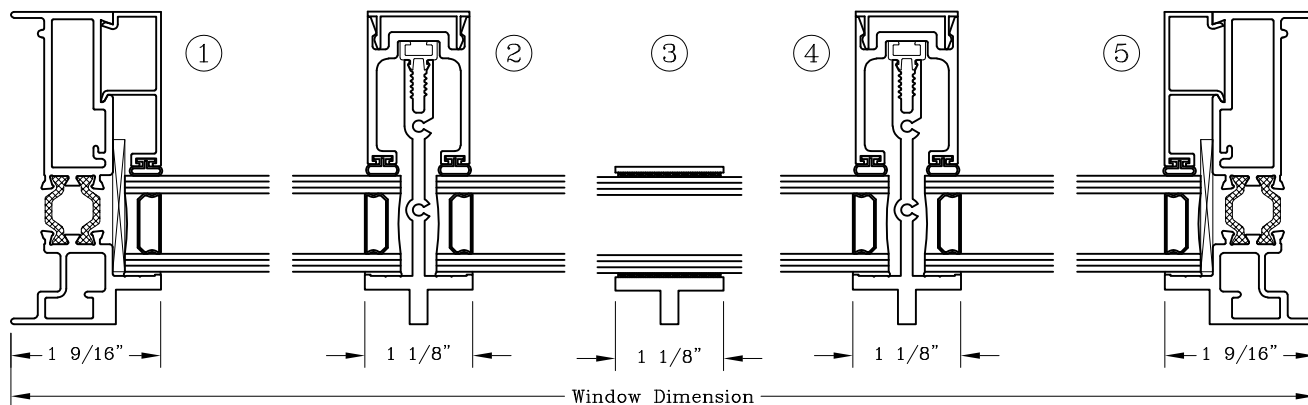
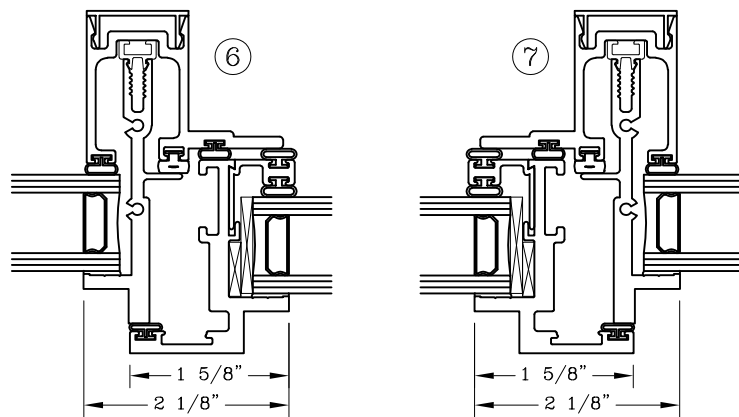
Series: SR6700T Manufacturing Code: SR67T02

Drawing 1/2 Scale - For Custom Size Drawing Contact Graham

Note: Sealant Not Shown On Details. Refer To General Installation Instructions.



ELEVATION



Graham Architectural Products reserves the right to change, add, cancel, remove or otherwise modify the details illustrated without prior notice.

1551 Mt. Rose Avenue, York, Pennsylvania 17403-2909 717.849.8100 Toll Free: 800/755-6274 0223 - SR67T.02

Web Site: www.grahamwindows.com

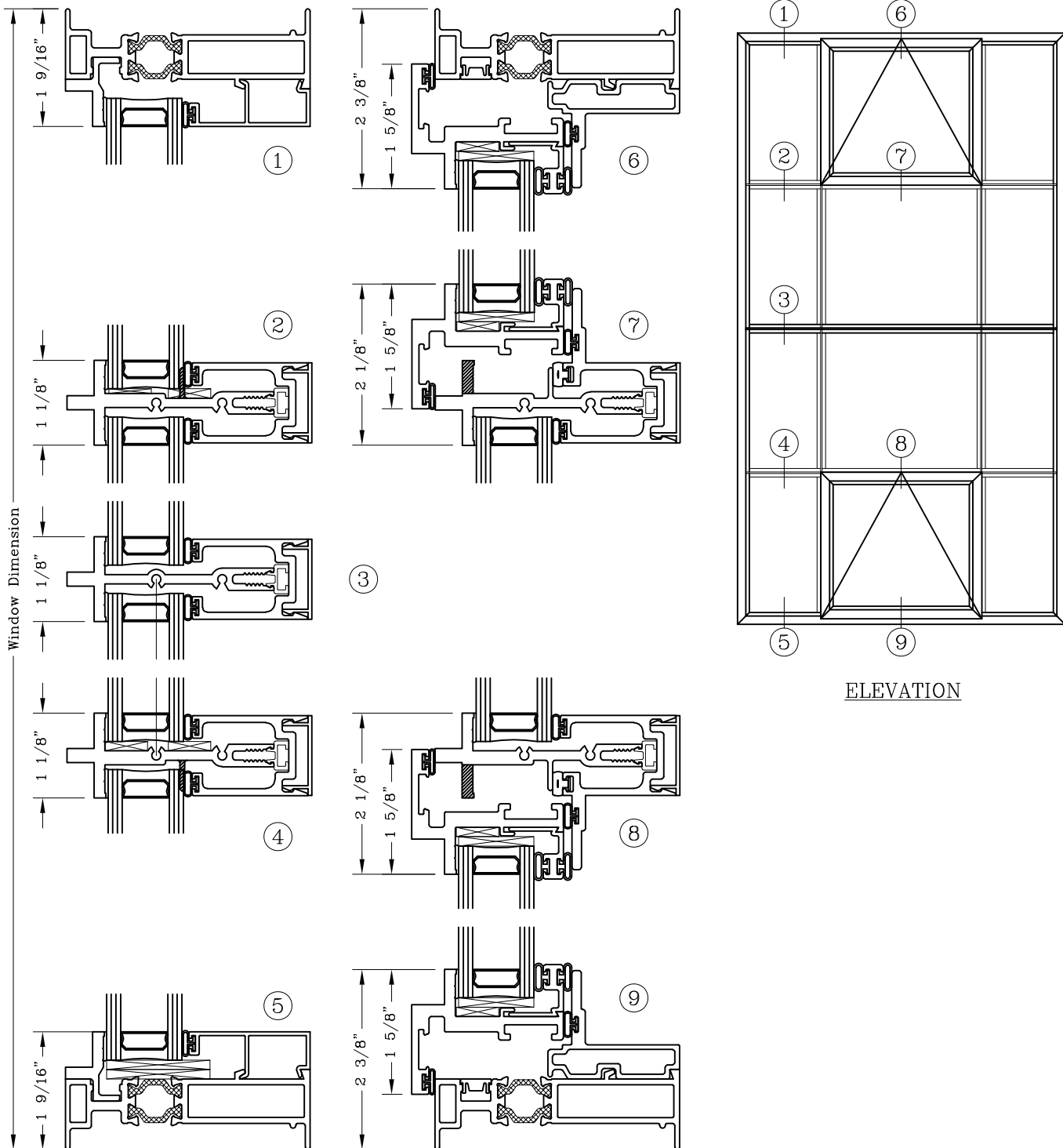
Perimeter Vent - 3 1/4" Horizontals



Series: SR6700T Manufacturing Code: SR67T04

Drawing 1/2 Scale - For Custom Size Drawing Contact Graham

Note: Sealant Not Shown On Details. Refer To General Installation Instructions.



Graham Architectural Products reserves the right to change, add, cancel, remove or otherwise modify the details illustrated without prior notice.

1551 Mt. Rose Avenue, York, Pennsylvania 17403-2909 717.849.8100 Toll Free: 800/755-6274 0223 - SR67T.04

Web Site: www.grahamwindows.com

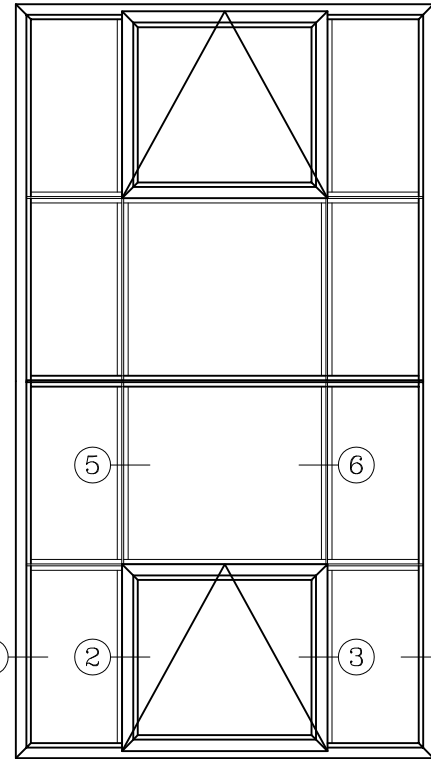
Perimeter Vent - 3 1/4" Verticals



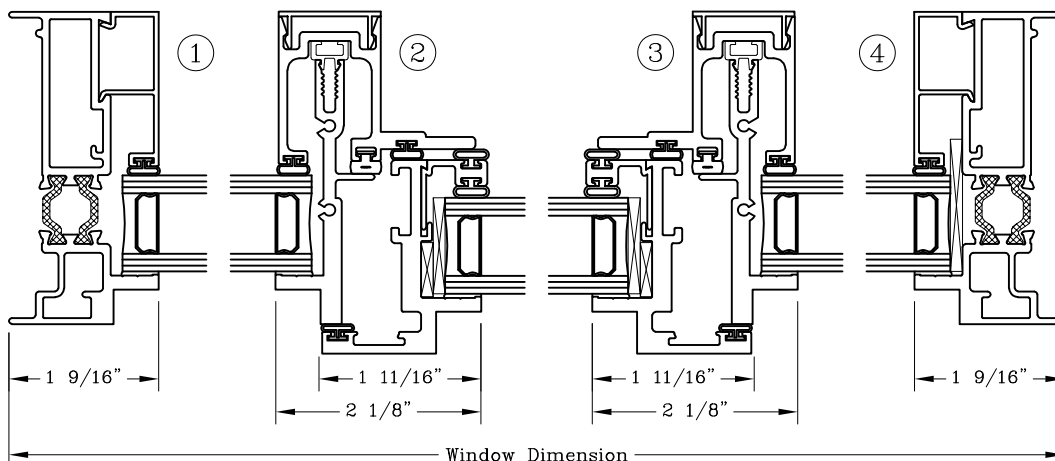
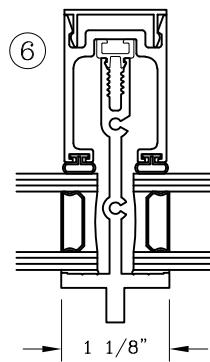
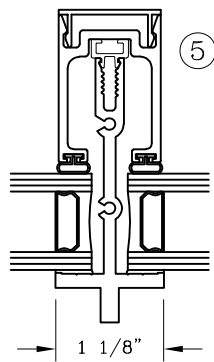
Series: SR6700T Manufacturing Code: SR67T05

Drawing 1/2 Scale - For Custom Size Drawing Contact Graham

Note: Sealant Not Shown On Details. Refer To General Installation Instructions.



ELEVATION



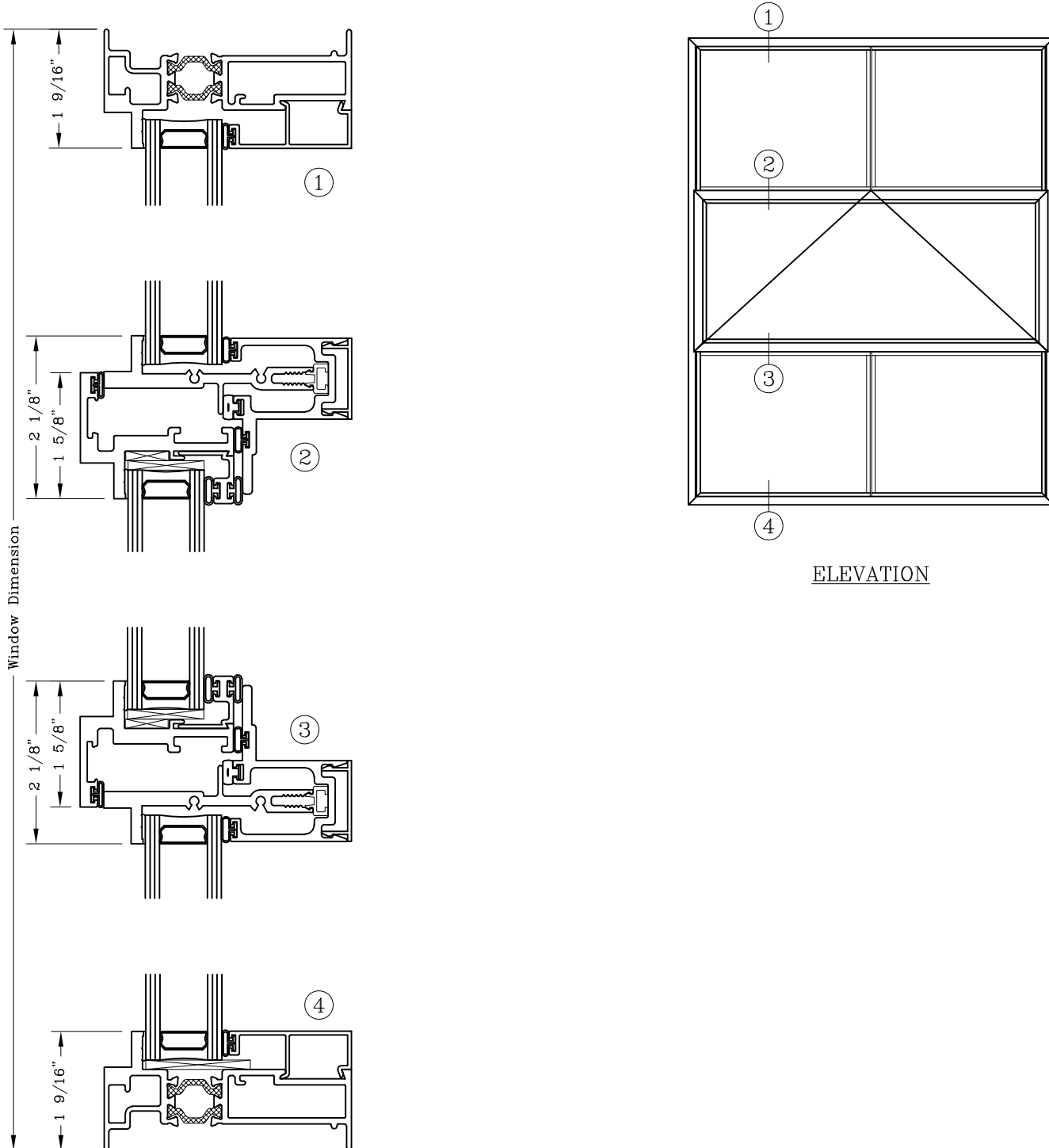
Full Width Vent - 3 1/4" Horizontals



Series: SR6700T Manufacturing Code: SR67T06

Drawing 1/2 Scale - For Custom Size Drawing Contact Graham

Note: Sealant Not Shown On Details. Refer To General Installation Instructions.



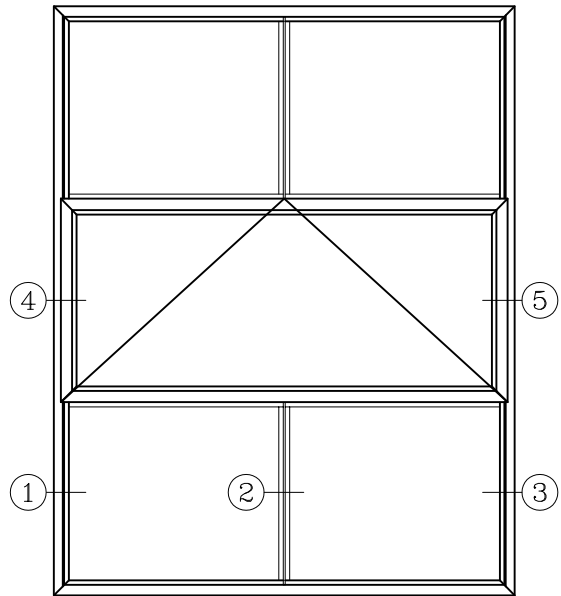
Full Width Vent - 3 1/4" Verticals



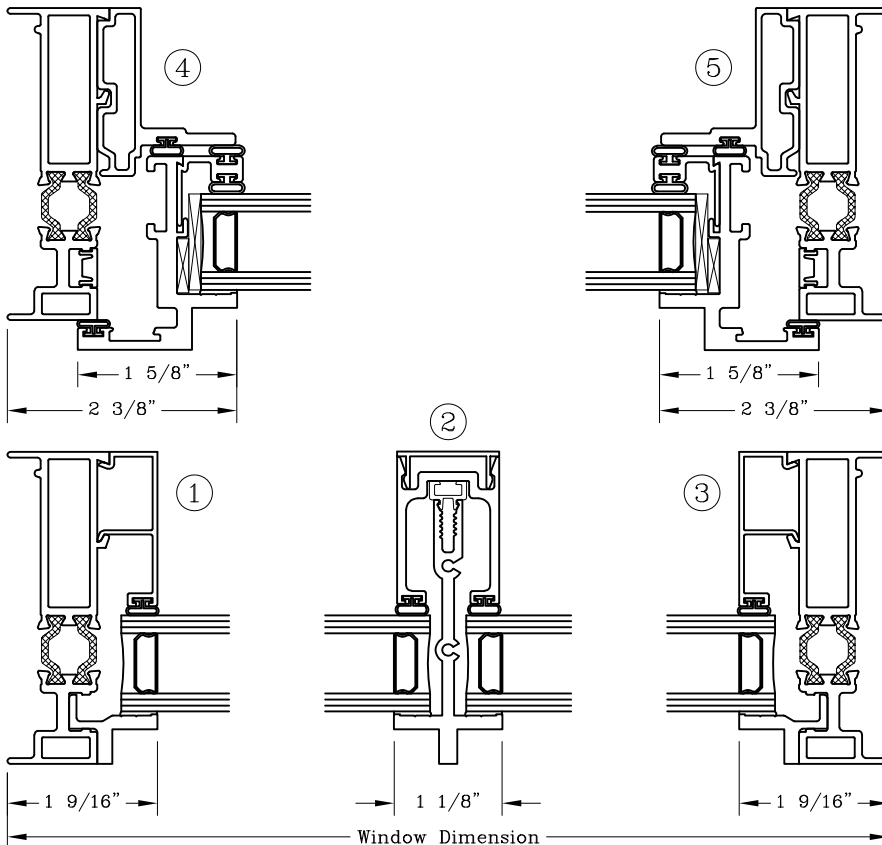
Series: SR6700T Manufacturing Code: SR67T07

Drawing 1/2 Scale - For Custom Size Drawing Contact Graham

Note: Sealant Not Shown On Details. Refer To General Installation Instructions.



ELEVATION



Graham Architectural Products reserves the right to change, add, cancel, remove or otherwise modify the details illustrated without prior notice.

1551 Mt. Rose Avenue, York, Pennsylvania 17403-2909 717.849.8100 Toll Free: 800/755-6274 0223 - SR67T.07

Web Site: www.grahamwindows.com

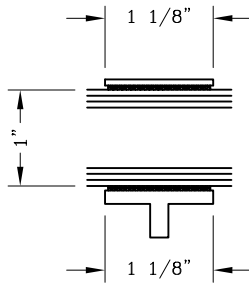
Grid Options



Series: SR6700T Manufacturing Code: SR67T10

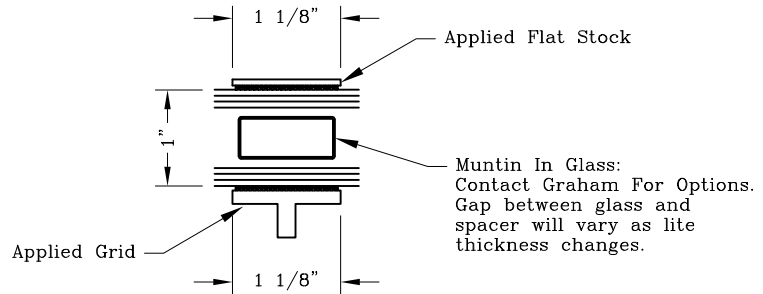
Drawing 1/2 Scale – For Custom Size Drawing Contact Graham

Note: Sealant Not Shown On Details. Refer To General Installation Instructions.



Applied Grid

(Note: Applied Grids Are Tape Applied To Lite)



Triple Grid

(1" IG with 1/4"-1/4" Lites Shown)

Vent Sightline Applied Adapter

(Note: Vent Sightline Adapters Are Tape Applied To Lite)

