

# Floating Vent - 3 1/4" Horizontals

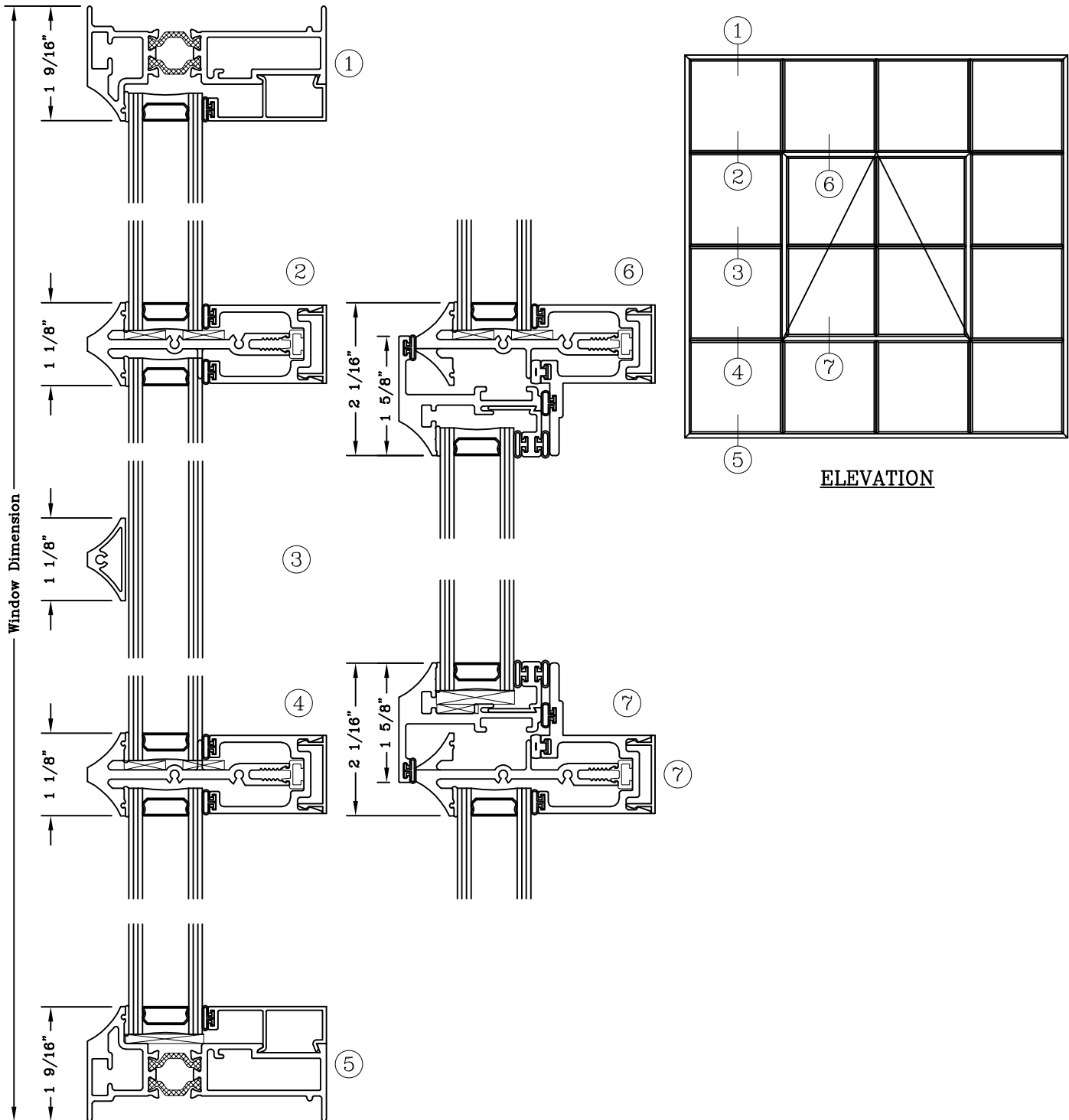


Series: SR6700

Manufacturing Code: SR6701

Drawing 1/2 Scale - For Custom Size Drawing Contact Graham

Note: Sealant Not Shown On Details. Refer To General Installation Instructions.



Graham Architectural Products reserves the right to change, add, cancel, remove or otherwise modify the details illustrated without prior notice.

1551 Mt. Rose Avenue, York, Pennsylvania 17403-2909 717.849.8100 Toll Free: 800/755-6274

0223 - SR67.01

Web Site: [www.grahamwindows.com](http://www.grahamwindows.com)

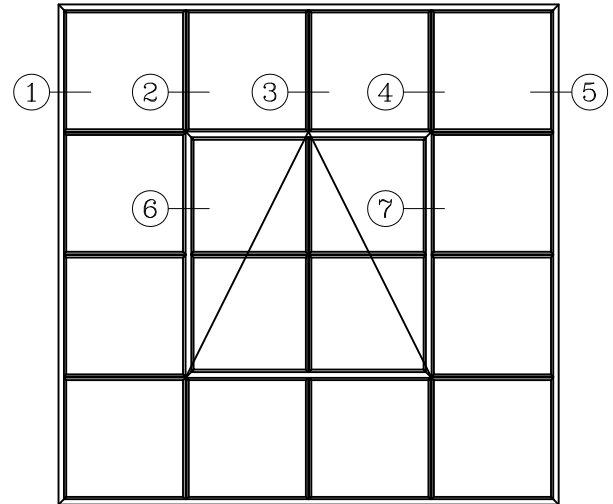
# Floating Vent - 3 1/4" Verticals



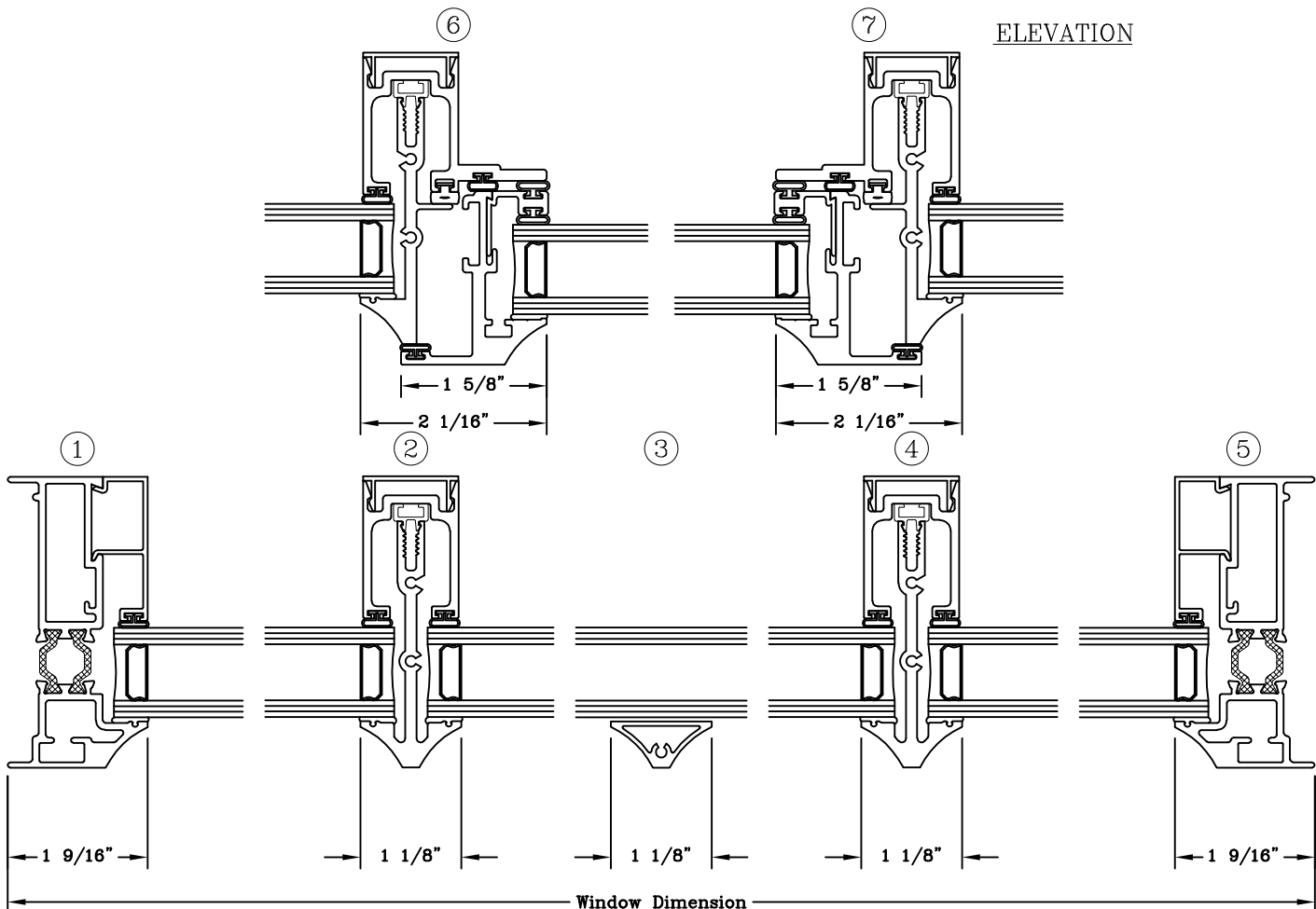
Series: SR6700      Manufacturing Code: SR6702

Drawing 1/2 Scale - For Custom Size Drawing Contact Graham

Note: Sealant Not Shown On Details. Refer To General Installation Instructions.



ELEVATION



Graham Architectural Products reserves the right to change, add, cancel, remove or otherwise modify the details illustrated without prior notice.

1551 Mt. Rose Avenue, York, Pennsylvania 17403-2909 717.849.8100 Toll Free: 800/755-6274

0223 - SR67.02

Web Site: [www.grahamwindows.com](http://www.grahamwindows.com)

# Perimeter Vent - 3 1/4" Horizontals

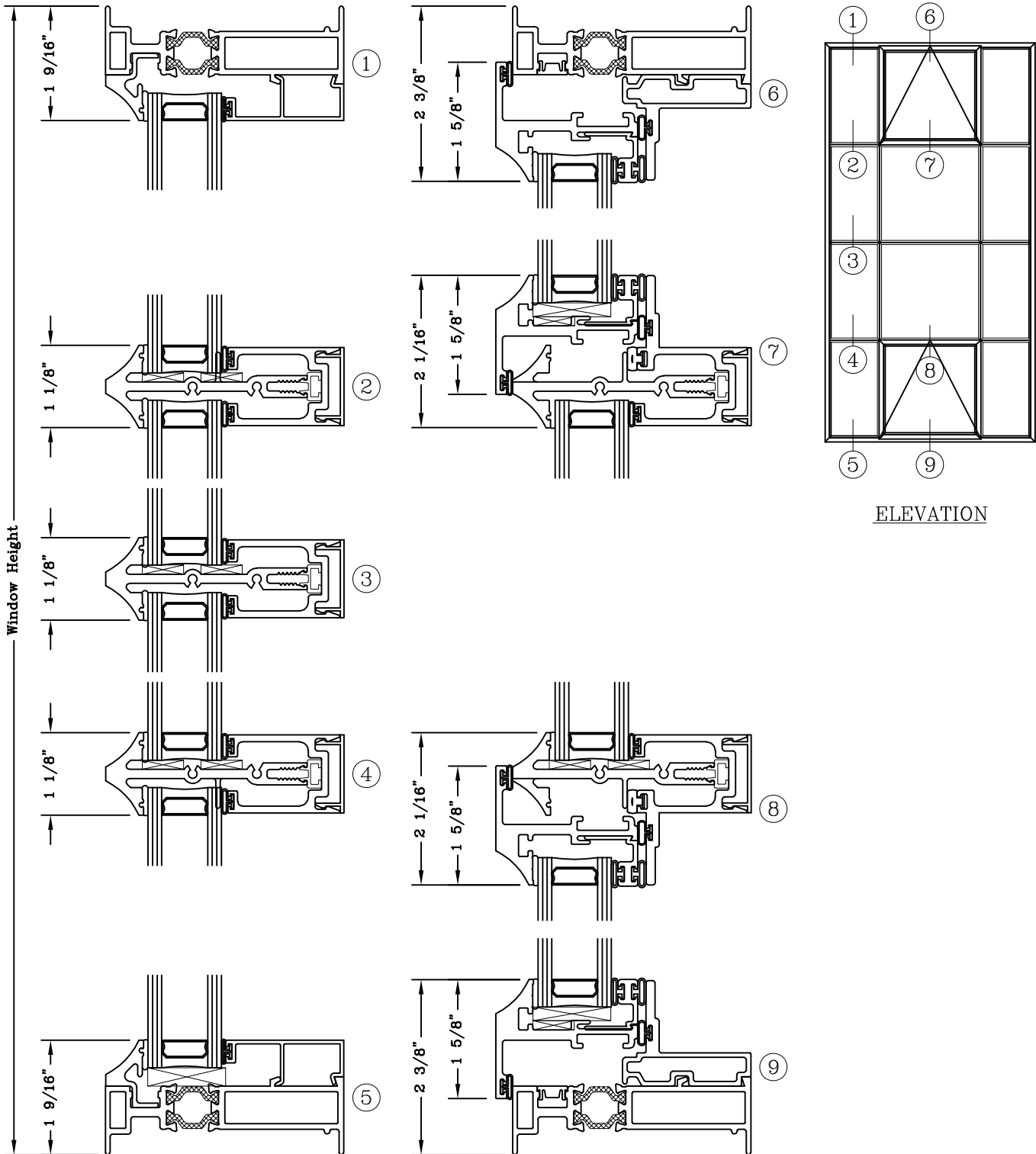


Series: SR6700

Manufacturing Code: SR6704

Drawing 1/2 Scale - For Custom Size Drawing Contact Graham

Note: Sealant Not Shown On Details. Refer To General Installation Instructions.



Graham Architectural Products reserves the right to change, add, cancel, remove or otherwise modify the details illustrated without prior notice.

1551 Mt. Rose Avenue, York, Pennsylvania 17403-2909 717.849.8100 Toll Free: 800/755-6274

0223 - SR67.04

Web Site: [www.grahamwindows.com](http://www.grahamwindows.com)

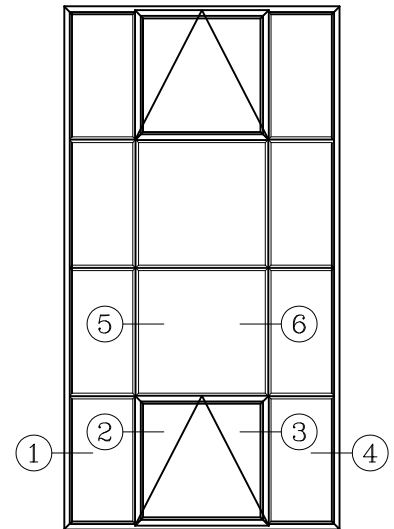
# Perimeter Vent - 3 1/4" Verticals



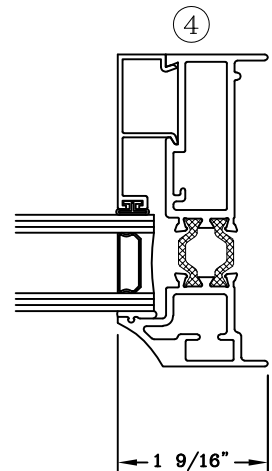
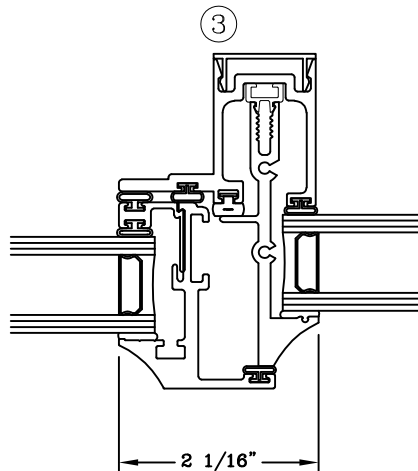
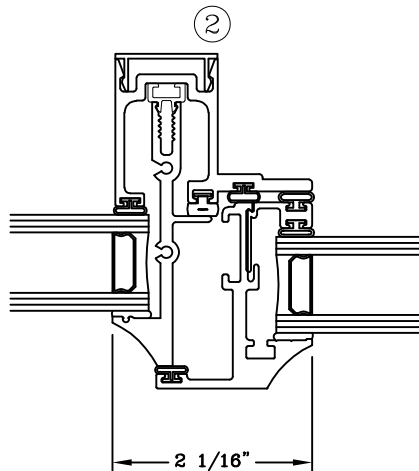
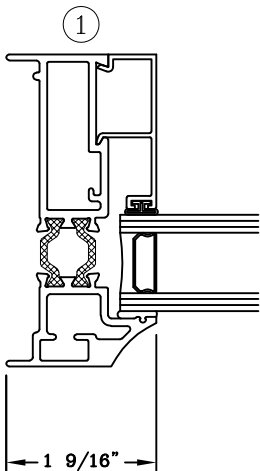
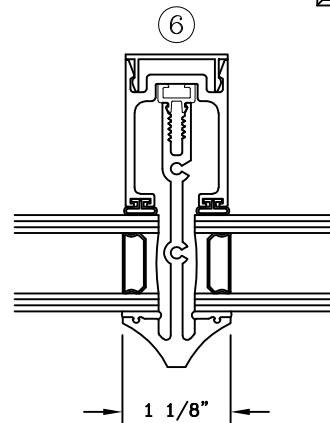
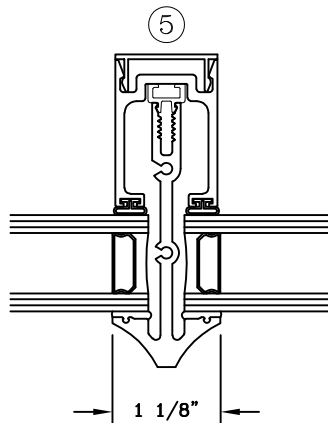
Series: SR6700      Manufacturing Code: SR6705

Drawing 1/2 Scale - For Custom Size Drawing Contact Graham

Note: Sealant Not Shown On Details. Refer To General Installation Instructions.



ELEVATION



Window Dimension

Graham Architectural Products reserves the right to change, add, cancel, remove or otherwise modify the details illustrated without prior notice.

1551 Mt. Rose Avenue, York, Pennsylvania 17403-2909 717.849.8100 Toll Free: 800/755-6274

0223 - SR67.05

Web Site: [www.grahamwindows.com](http://www.grahamwindows.com)

# Full Width Vent - 3 1/4" Horizontals

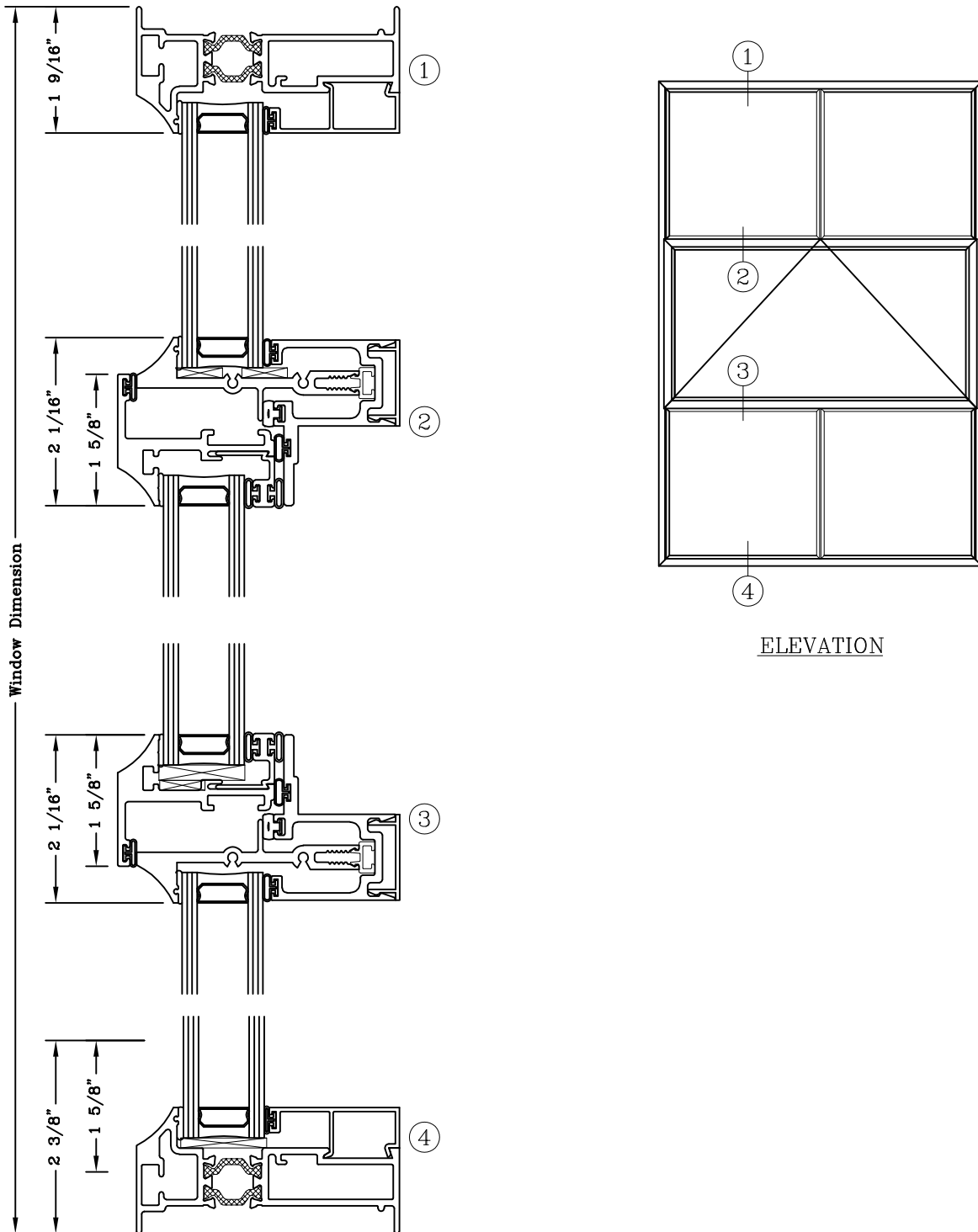


Series: SR6700

Manufacturing Code: SR6706

Drawing 1/2 Scale - For Custom Size Drawing Contact Graham

Note: Sealant Not Shown On Details. Refer To General Installation Instructions.



ELEVATION

Graham Architectural Products reserves the right to change, add, cancel, remove or otherwise modify the details illustrated without prior notice.

1551 Mt. Rose Avenue, York, Pennsylvania 17403-2909 717.849.8100 Toll Free: 800/755-6274

0223 - SR67.06

Web Site: [www.grahamwindows.com](http://www.grahamwindows.com)

# Full Width Vent - 3 1/4" Verticals

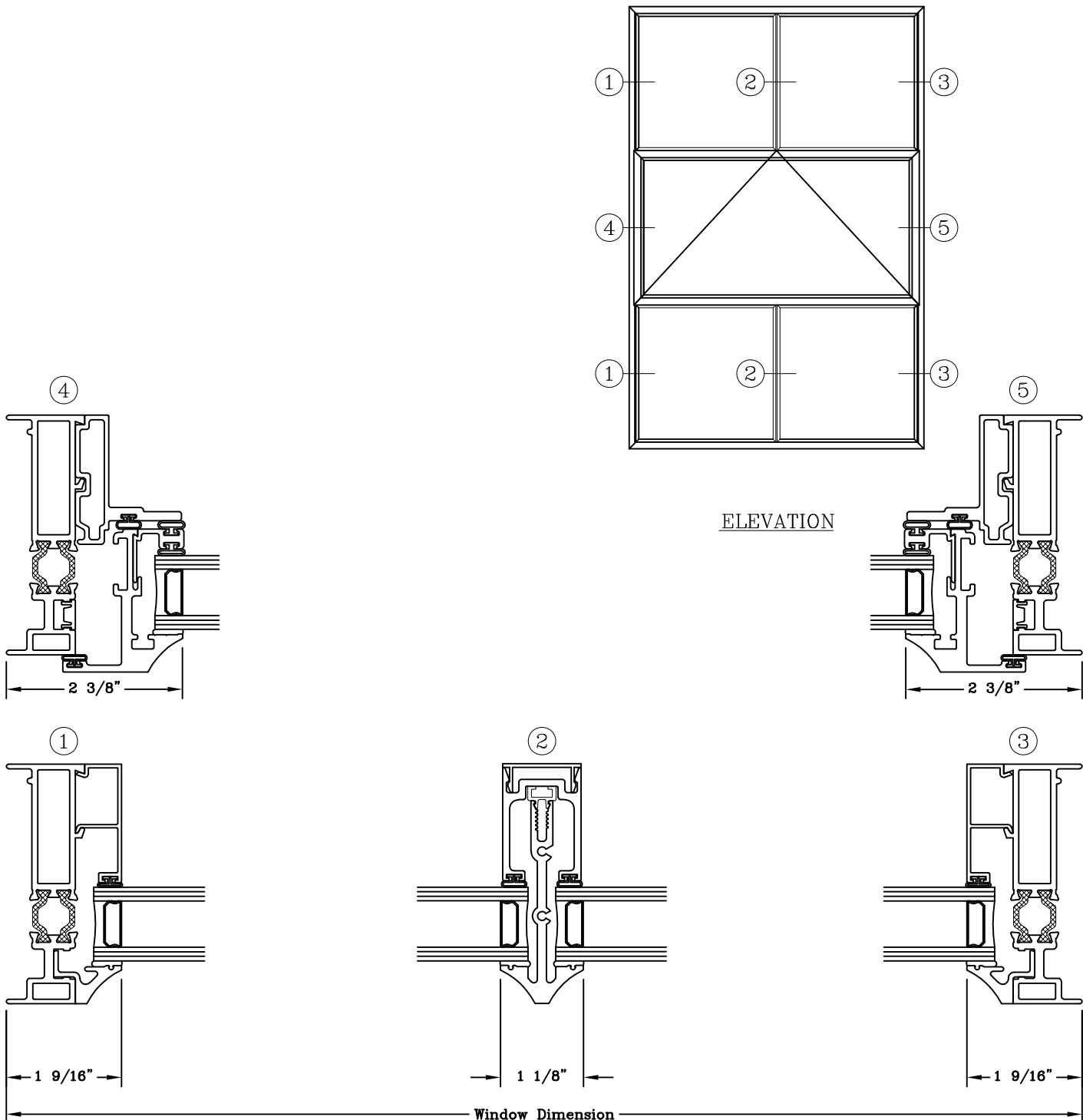


Series: SR6700

Manufacturing Code: SR6707

Drawing 1/2 Scale - For Custom Size Drawing Contact Graham

Note: Sealant Not Shown On Details. Refer To General Installation Instructions.



Graham Architectural Products reserves the right to change, add, cancel, remove or otherwise modify the details illustrated without prior notice.

1551 Mt. Rose Avenue, York, Pennsylvania 17403-2909 717.849.8100 Toll Free: 800/755-6274

0223 - SR67.07

Web Site: [www.grahamwindows.com](http://www.grahamwindows.com)

# Grid And True Muntin Options

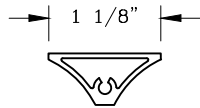


Series: SR6700

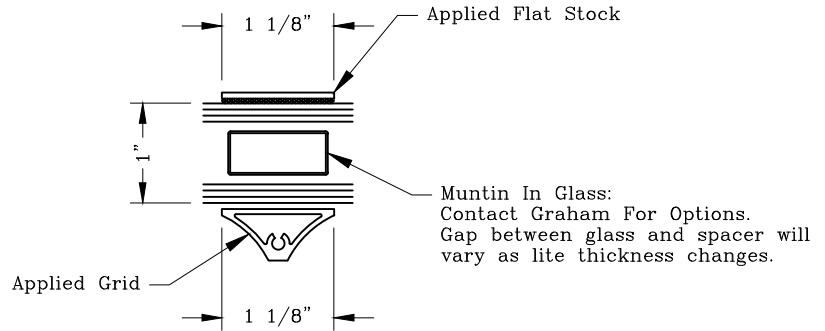
Manufacturing Code: SR6710

Drawing 1/2 Scale – For Custom Size Drawing Contact Graham

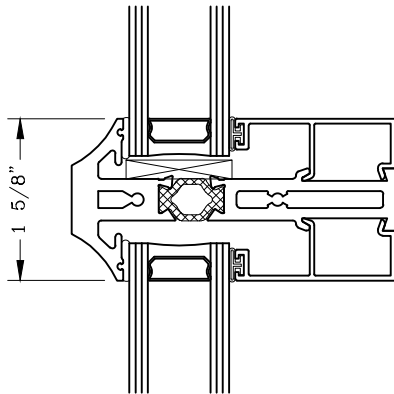
Note: Sealant Not Shown On Details. Refer To General Installation Instructions.



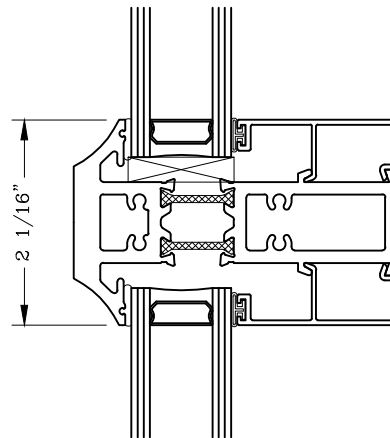
Applied Grid



Triple Grid  
 (1" IG with 1/4"-1/4" Lites Shown)



Fixed/Fixed Intermediate  
 P/N 675055



Fixed/Fixed Intermediate  
 P/N 675056

Graham Architectural Products reserves the right to change, add, cancel, remove or otherwise modify the details illustrated without prior notice.

1551 Mt. Rose Avenue, York, Pennsylvania 17403-2909 717.849.8100 Toll Free: 800/755-6274

0823 – SR67.10

Web Site: [www.grahamwindows.com](http://www.grahamwindows.com)

# Simulated Vent Options

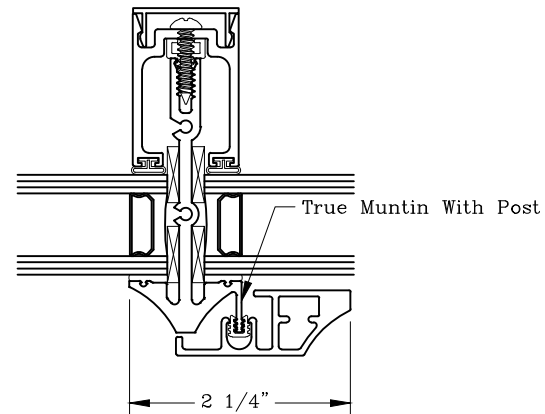
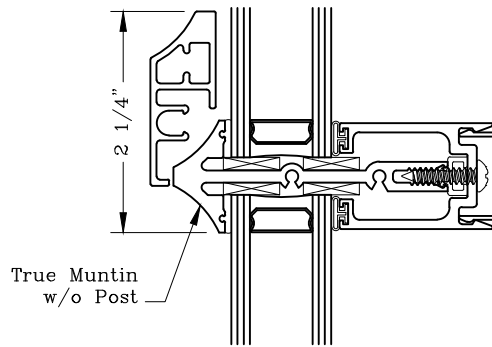
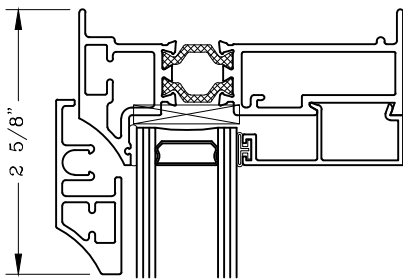
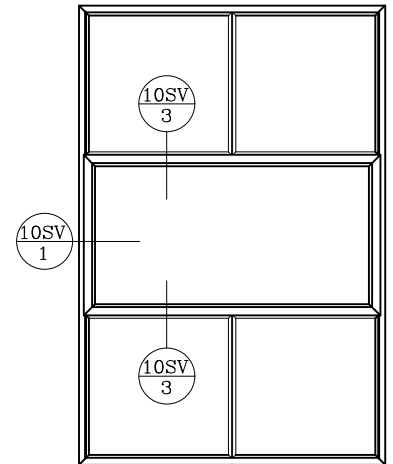
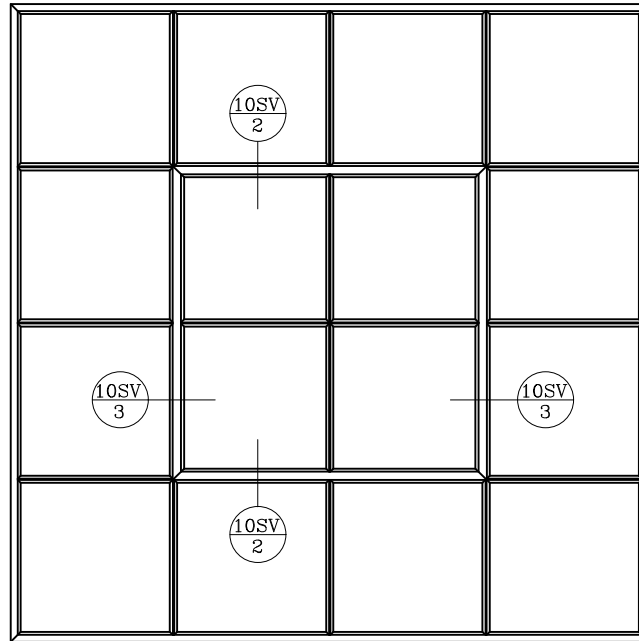
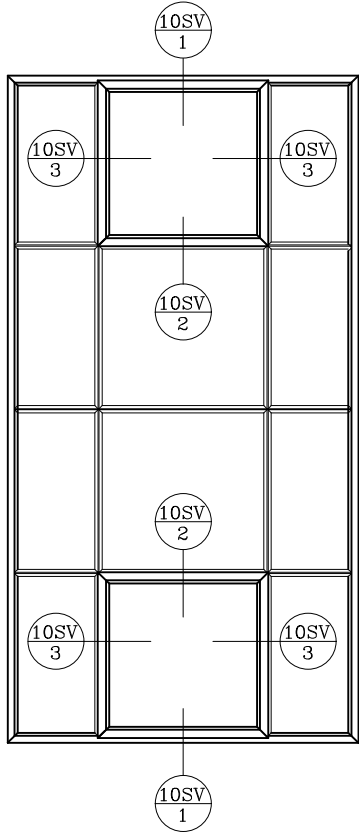


Series: SR6700

Manufacturing Code: SR6710SV

Drawing 1/2 Scale – For Custom Size Drawing Contact Graham

Note: Sealant Not Shown On Details. Refer To General Installation Instructions.



Detail 1  
Head Sill or Jamb  
See Elevation For  
Locations

Detail 2  
Horizontal or Vertical  
See Elevation For  
Locations

Detail 3  
Horizontal or Vertical  
See Elevation For  
Locations

Note:

- Simulated Vent #675067 attachment to true muntin with gasket post
- Gasket post must be on (2) opposite sides

Graham Architectural Products reserves the right to change, add, cancel, remove or otherwise modify the details illustrated without prior notice.

1551 Mt. Rose Avenue, York, Pennsylvania 17403-2909 717.849.8100 Toll Free: 800/755-6274

0923 – SR67.10SV

Web Site: [www.grahamwindows.com](http://www.grahamwindows.com)



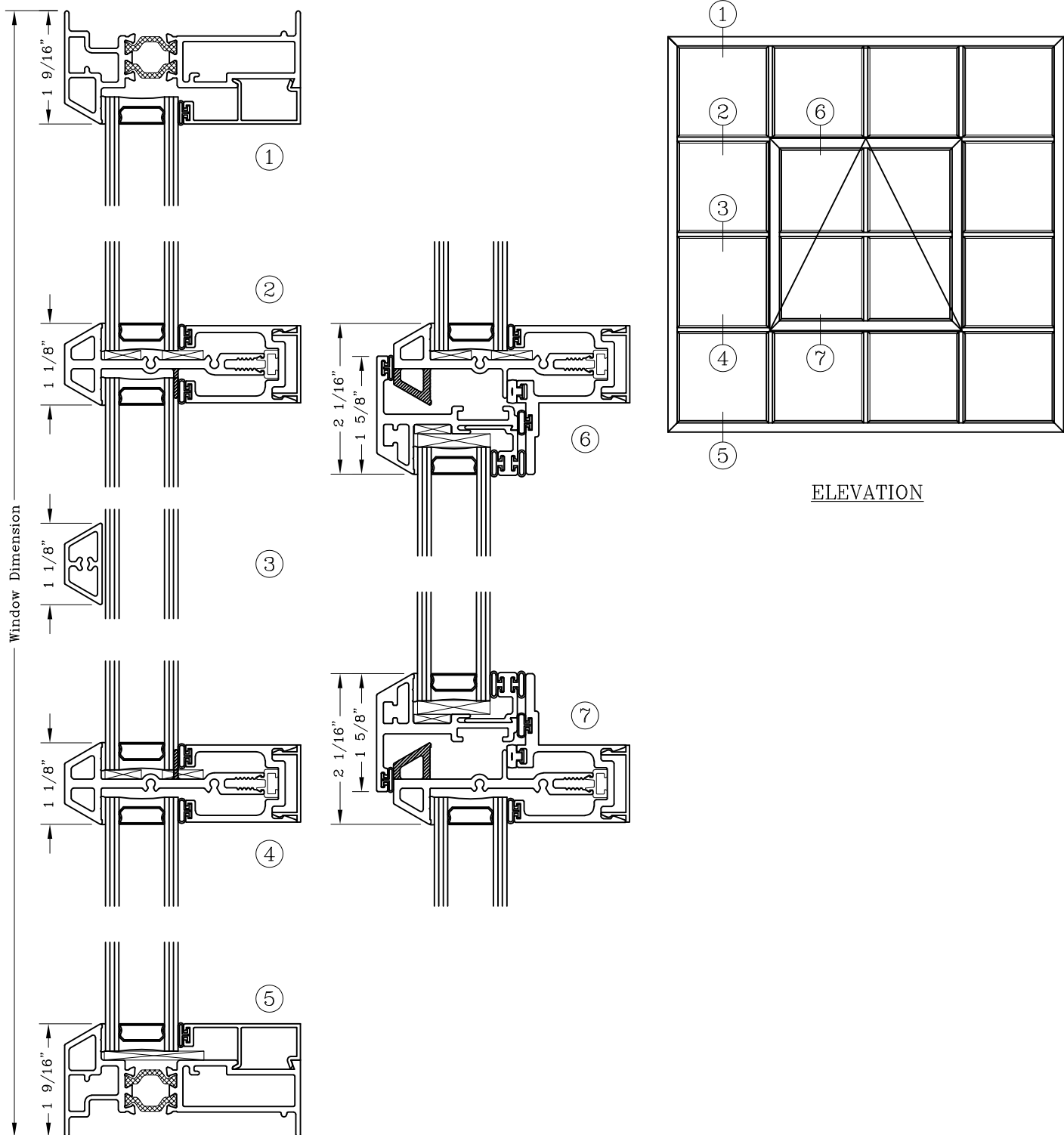
# Floating Vent - 3 1/4" Horizontals



Series: SR6700B      Manufacturing Code: SR67B01

Drawing 1/2 Scale - For Custom Size Drawing Contact Graham

Note: Sealant Not Shown On Details. Refer To General Installation Instructions.



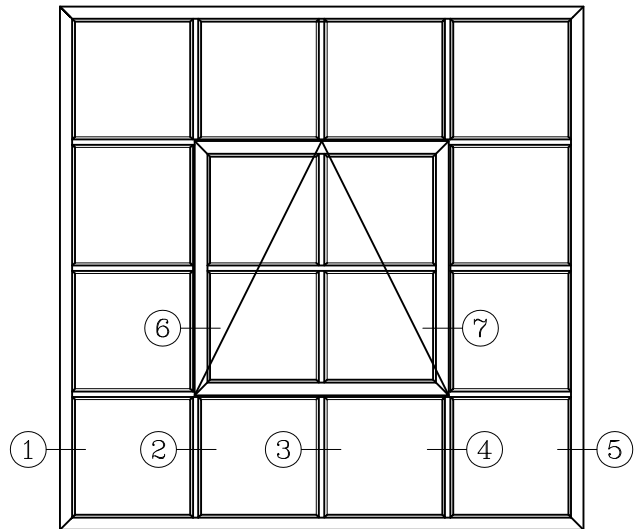
# Floating Vent - 3 1/4" Verticals



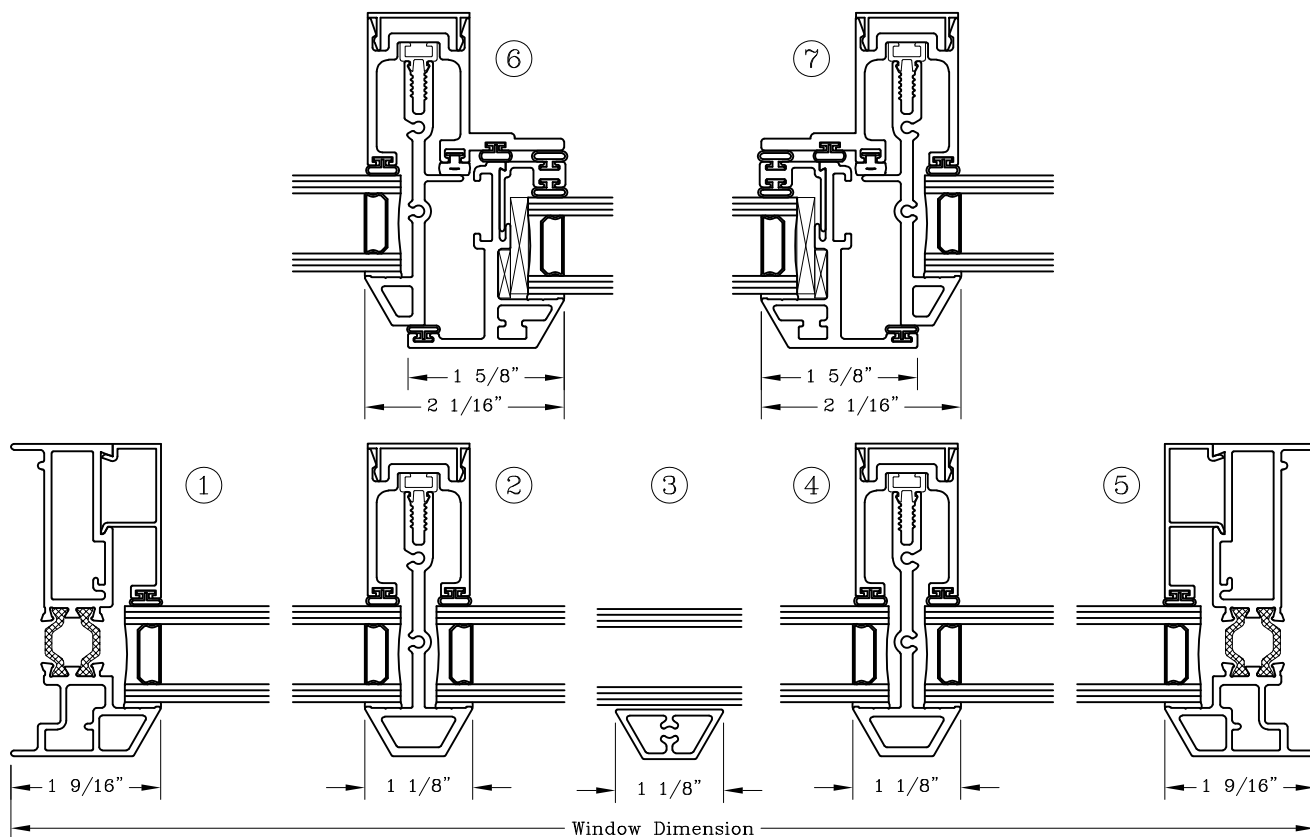
Series: SR6700B      Manufacturing Code: SR67B02

Drawing 1/2 Scale - For Custom Size Drawing Contact Graham

Note: Sealant Not Shown On Details. Refer To General Installation Instructions.



ELEVATION



Graham Architectural Products reserves the right to change, add, cancel, remove or otherwise modify the details illustrated without prior notice.

1551 Mt. Rose Avenue, York, Pennsylvania 17403-2909 717.849.8100 Toll Free: 800/755-6274 0223 - SR67B.02

Web Site: [www.grahamwindows.com](http://www.grahamwindows.com)

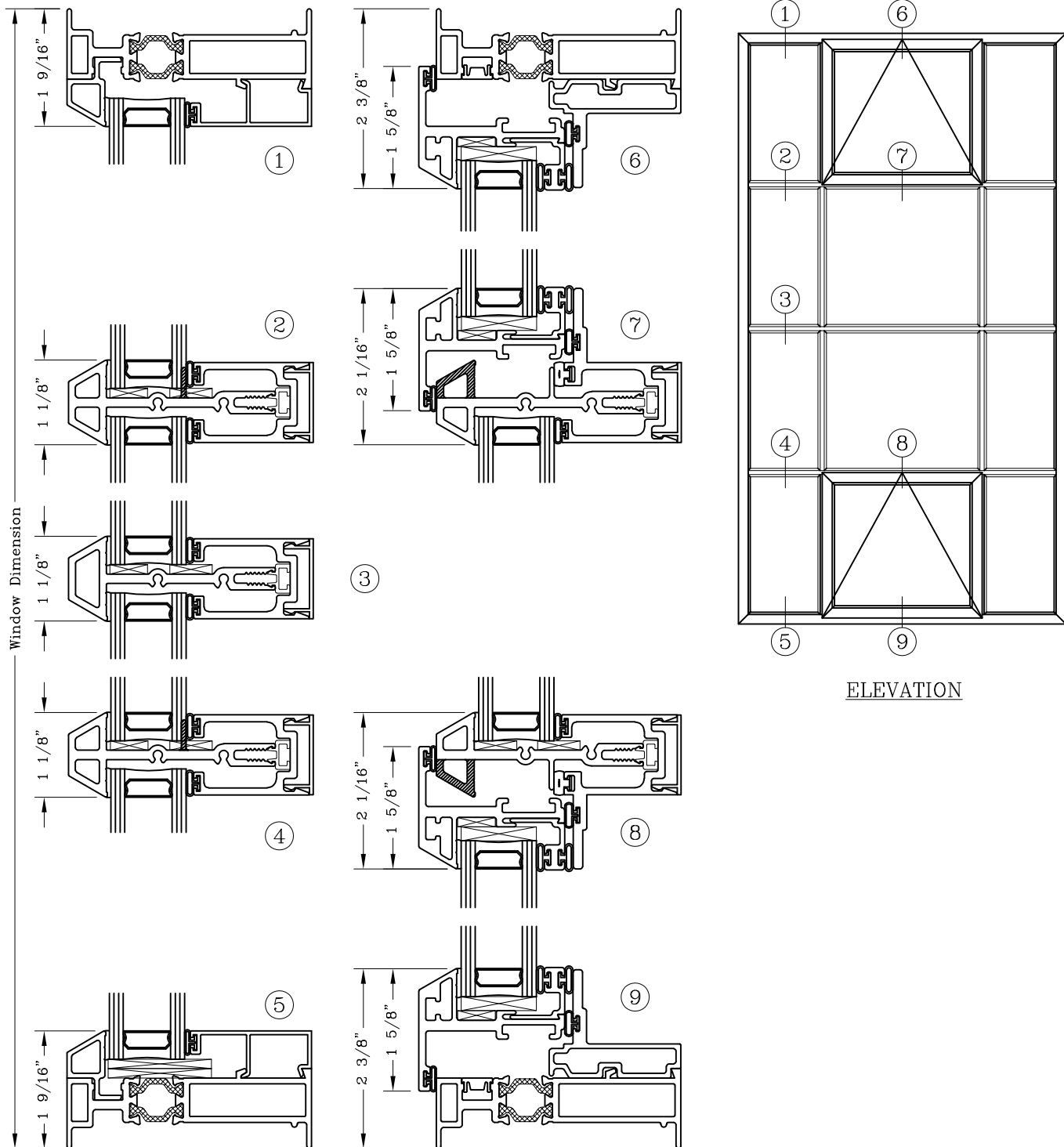
# Perimeter Vent - 3 1/4" Horizontals



Series: SR6700B      Manufacturing Code: SR67B04

Drawing 1/2 Scale - For Custom Size Drawing Contact Graham

Note: Sealant Not Shown On Details. Refer To General Installation Instructions.



Graham Architectural Products reserves the right to change, add, cancel, remove or otherwise modify the details illustrated without prior notice.

1551 Mt. Rose Avenue, York, Pennsylvania 17403-2909 717.849.8100 Toll Free: 800/755-6274 0223 - SR67B.04

Web Site: [www.grahamwindows.com](http://www.grahamwindows.com)

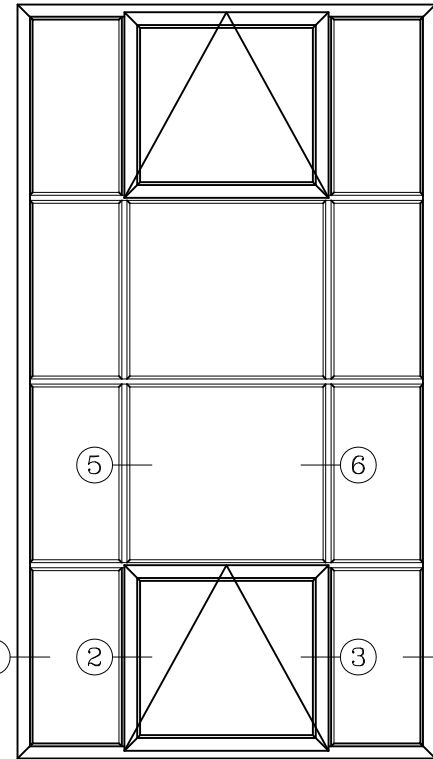
# Perimeter Vent - 3 1/4" Verticals



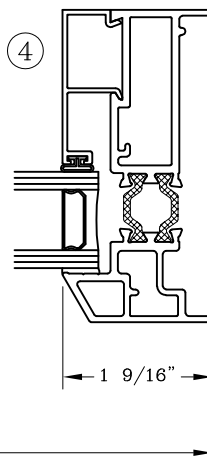
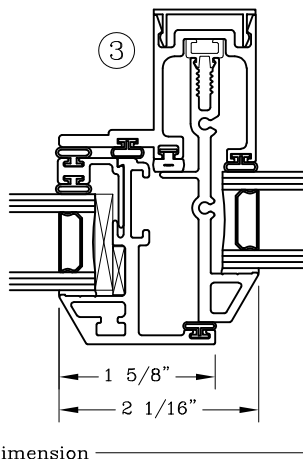
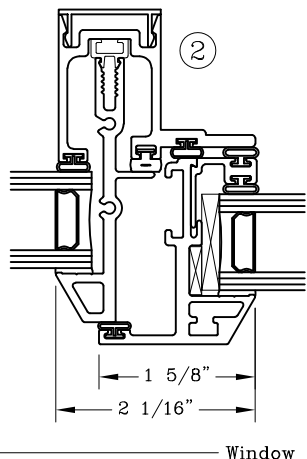
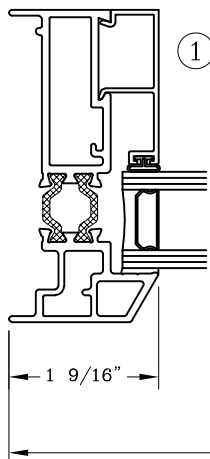
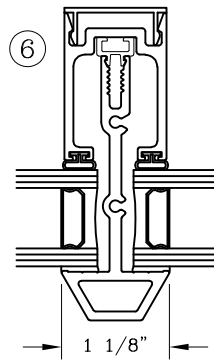
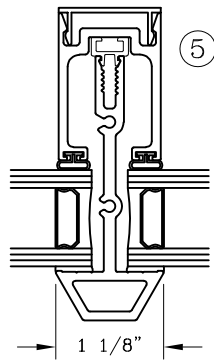
Series: SR6700B      Manufacturing Code: SR67B05

Drawing 1/2 Scale - For Custom Size Drawing Contact Graham

Note: Sealant Not Shown On Details. Refer To General Installation Instructions.



ELEVATION



Window Dimension

Graham Architectural Products reserves the right to change, add, cancel, remove or otherwise modify the details illustrated without prior notice.

1551 Mt. Rose Avenue, York, Pennsylvania 17403-2909 717.849.8100 Toll Free: 800/755-6274

0223 - SR67B.05

Web Site: [www.grahamwindows.com](http://www.grahamwindows.com)

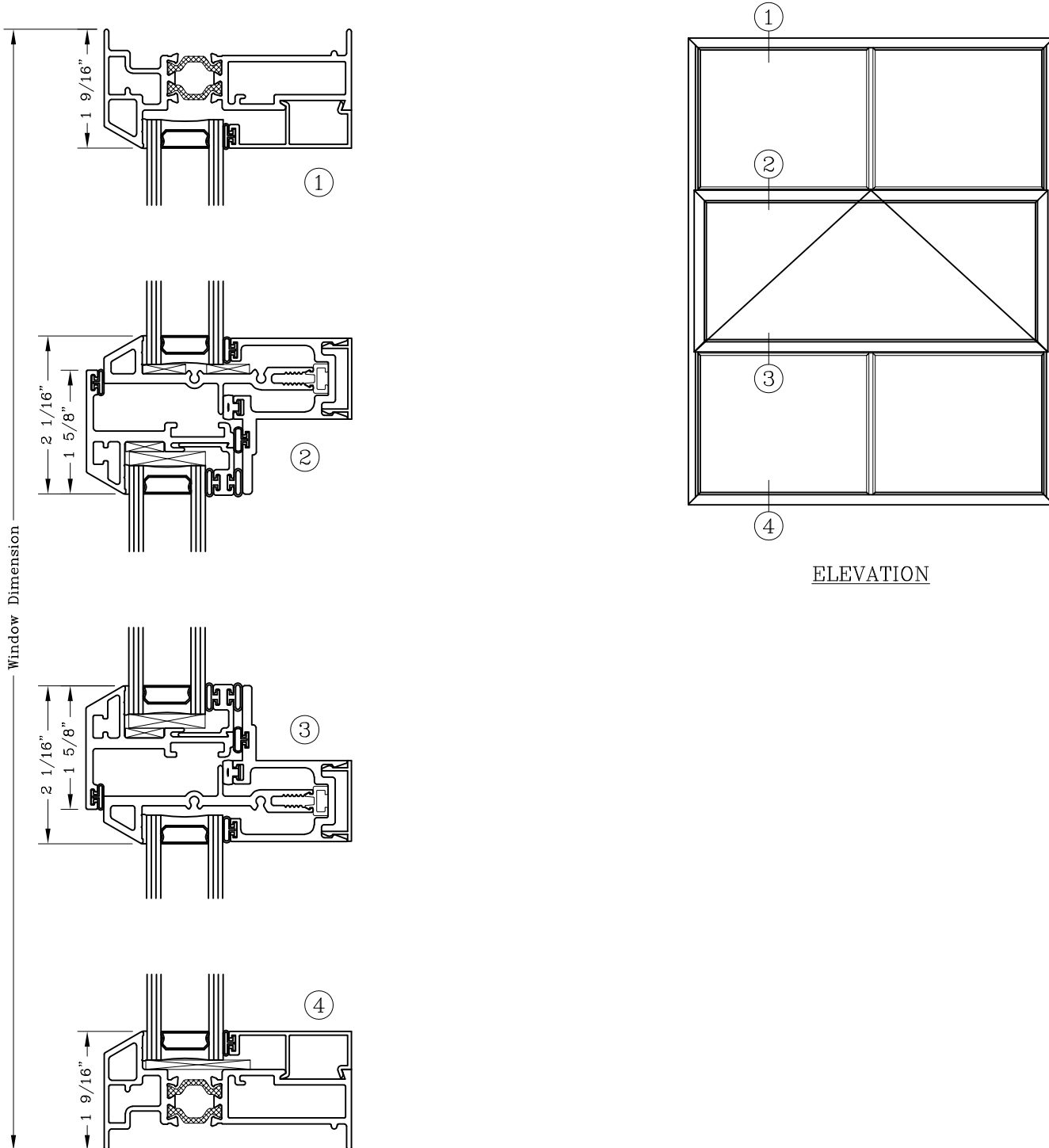
# Full Width Vent - 3 1/4" Horizontals



Series: SR6700B      Manufacturing Code: SR67B06

Drawing 1/2 Scale - For Custom Size Drawing Contact Graham

Note: Sealant Not Shown On Details. Refer To General Installation Instructions.



Graham Architectural Products reserves the right to change, add, cancel, remove or otherwise modify the details illustrated without prior notice.

1551 Mt. Rose Avenue, York, Pennsylvania 17403-2909 717.849.8100 Toll Free: 800/755-6274 0223 - SR67B.06

Web Site: [www.grahamwindows.com](http://www.grahamwindows.com)

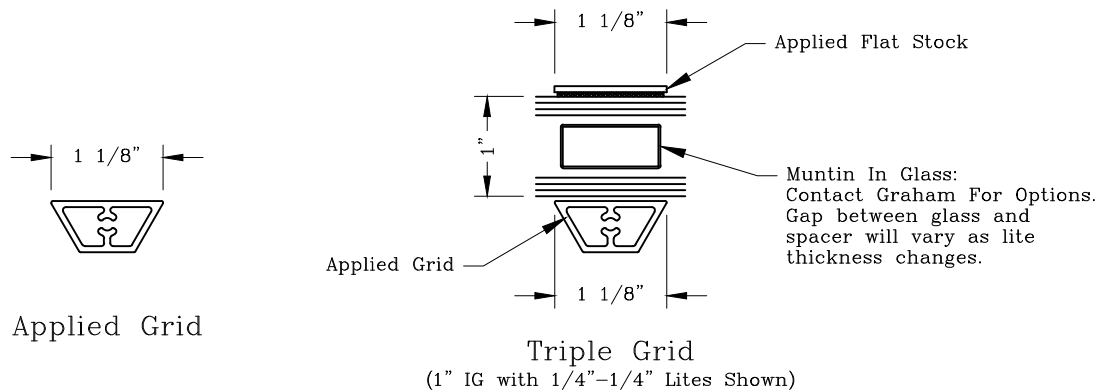
# Grid Options



Series: SR6700B      Manufacturing Code: SR67B10

Drawing 1/2 Scale – For Custom Size Drawing Contact Graham

Note: Sealant Not Shown On Details. Refer To General Installation Instructions.



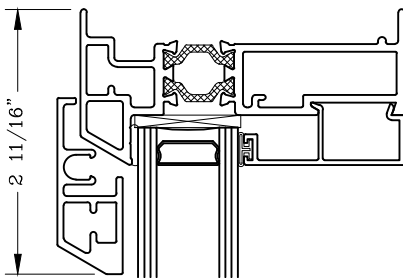
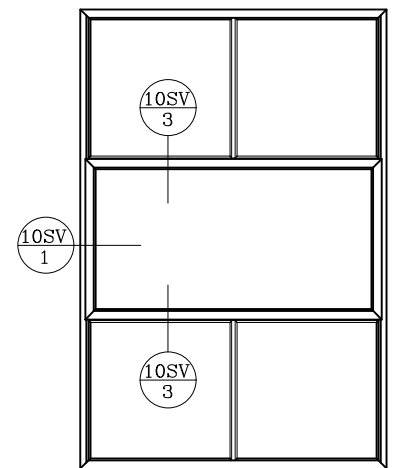
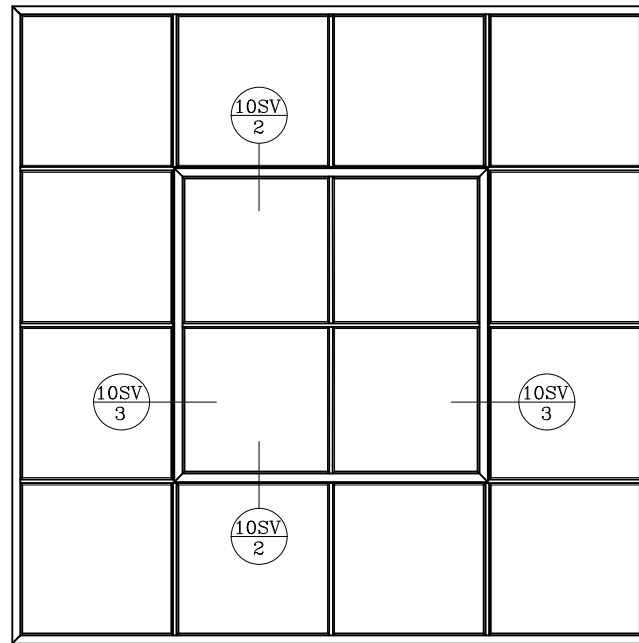
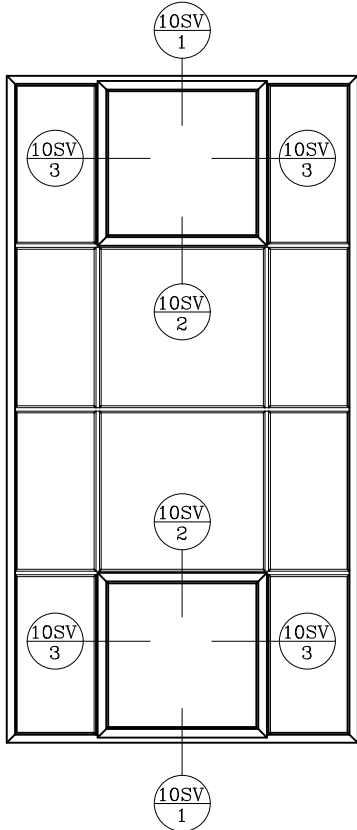
# Simulated Vent Options



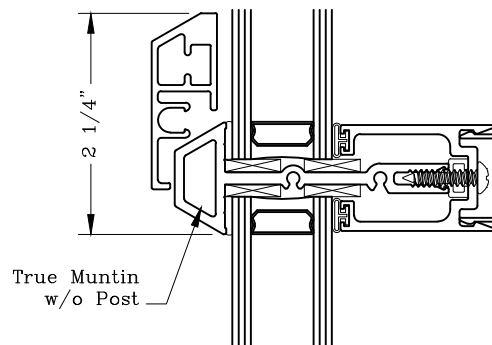
Series: SR6700B Manufacturing Code: SR67B10SV

Drawing 1/2 Scale – For Custom Size Drawing Contact Graham

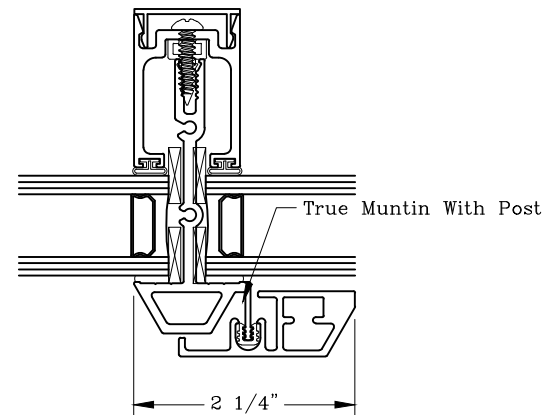
Note: Sealant Not Shown On Details. Refer To General Installation Instructions.



Detail 1  
Head Sill or Jamb  
See Elevation For  
Locations



Detail 2  
Horizontal or Vertical  
See Elevation For  
Locations



Detail 3  
Horizontal or Vertical  
See Elevation For  
Locations

Note:

- Simulated Vent #674067 attachment to true muntin with gasket post
- Gasket post must be on (2) opposite sides

Graham Architectural Products reserves the right to change, add, cancel, remove or otherwise modify the details illustrated without prior notice.

1551 Mt. Rose Avenue, York, Pennsylvania 17403-2909 717.849.8100 Toll Free: 800/755-6274 0923 – SR67B.10SV

Web Site: [www.grahamwindows.com](http://www.grahamwindows.com)

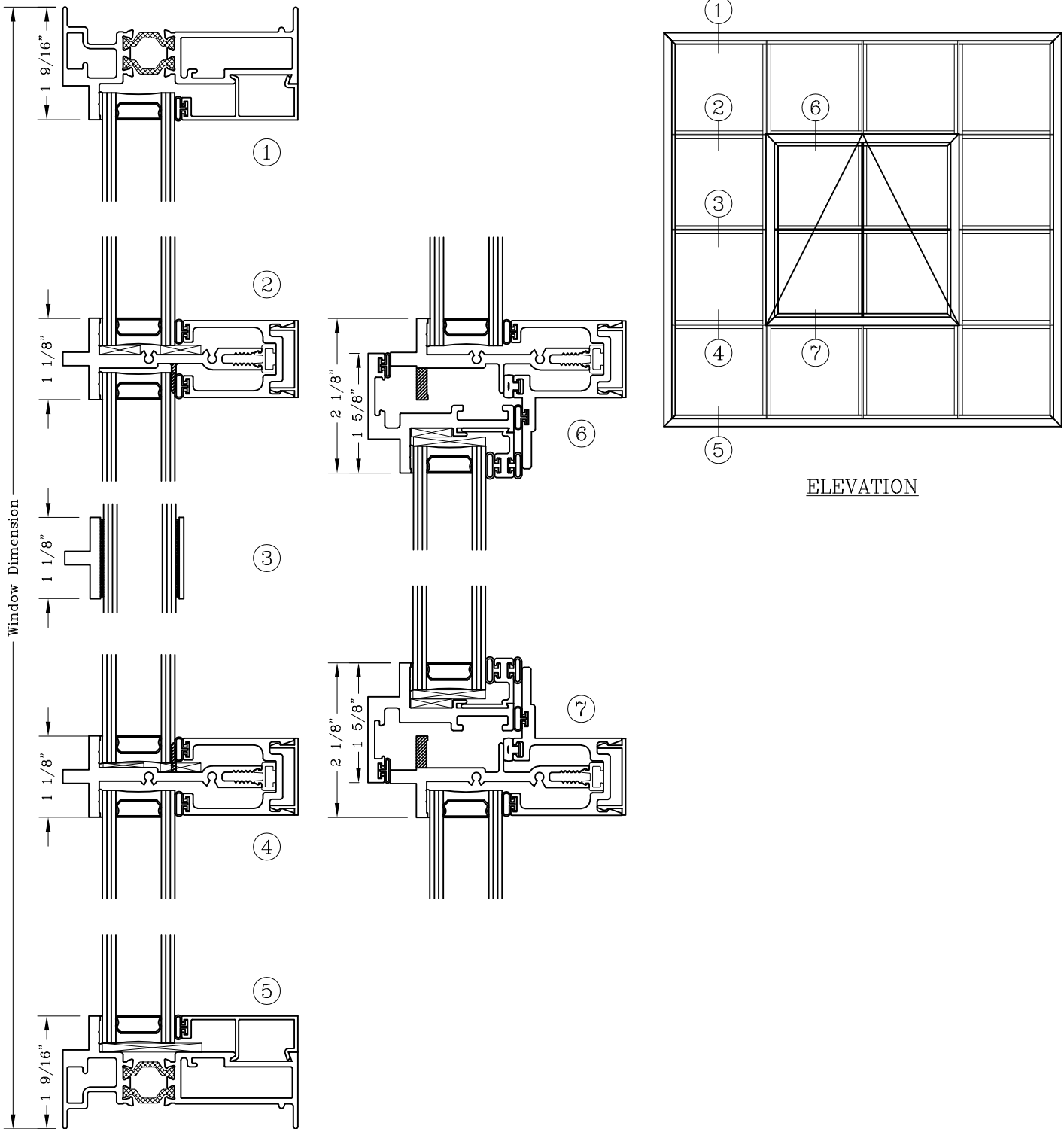
# Floating Vent - 3 1/4" Horizontals



Series: SR6700T      Manufacturing Code: SR67T01

Drawing 1/2 Scale - For Custom Size Drawing Contact Graham

Note: Sealant Not Shown On Details. Refer To General Installation Instructions.



ELEVATION

Graham Architectural Products reserves the right to change, add, cancel, remove or otherwise modify the details illustrated without prior notice.

1551 Mt. Rose Avenue, York, Pennsylvania 17403-2909 717.849.8100 Toll Free: 800/755-6274 0223 - SR67T.01

Web Site: [www.grahamwindows.com](http://www.grahamwindows.com)



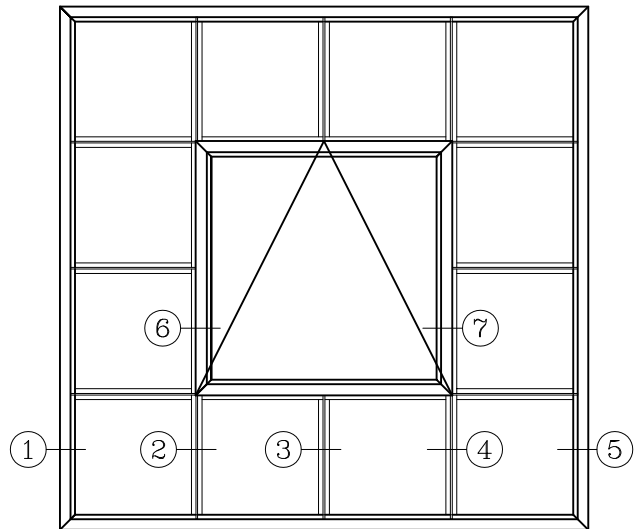
# Floating Vent - 3 1/4" Verticals



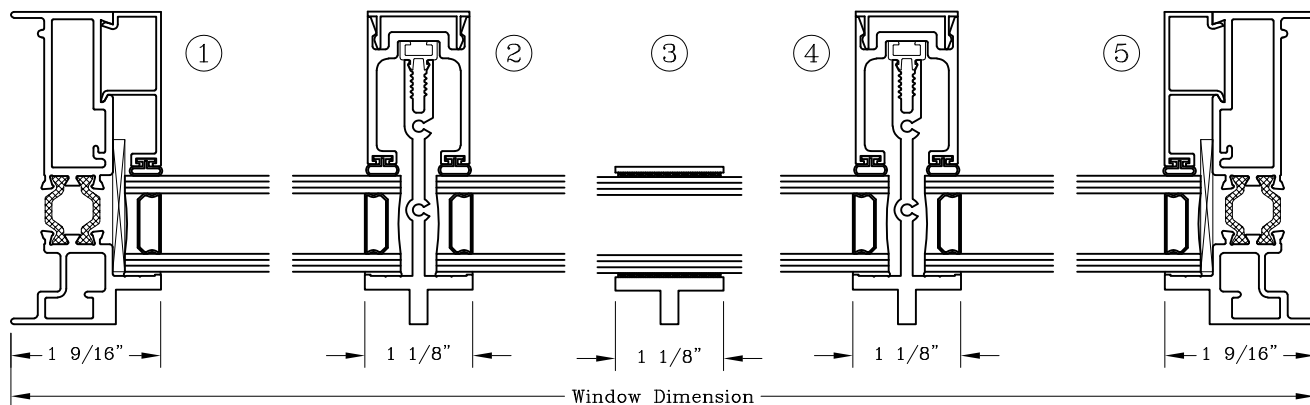
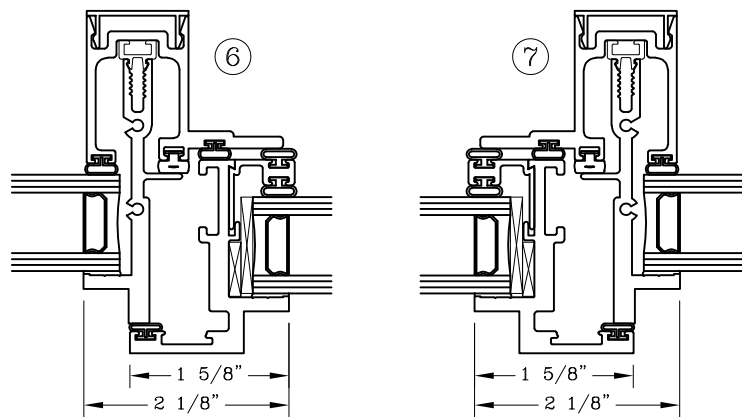
Series: SR6700T      Manufacturing Code: SR67T02

Drawing 1/2 Scale - For Custom Size Drawing Contact Graham

Note: Sealant Not Shown On Details. Refer To General Installation Instructions.



ELEVATION



Graham Architectural Products reserves the right to change, add, cancel, remove or otherwise modify the details illustrated without prior notice.

1551 Mt. Rose Avenue, York, Pennsylvania 17403-2909 717.849.8100 Toll Free: 800/755-6274 0223 - SR67T.02

Web Site: [www.grahamwindows.com](http://www.grahamwindows.com)

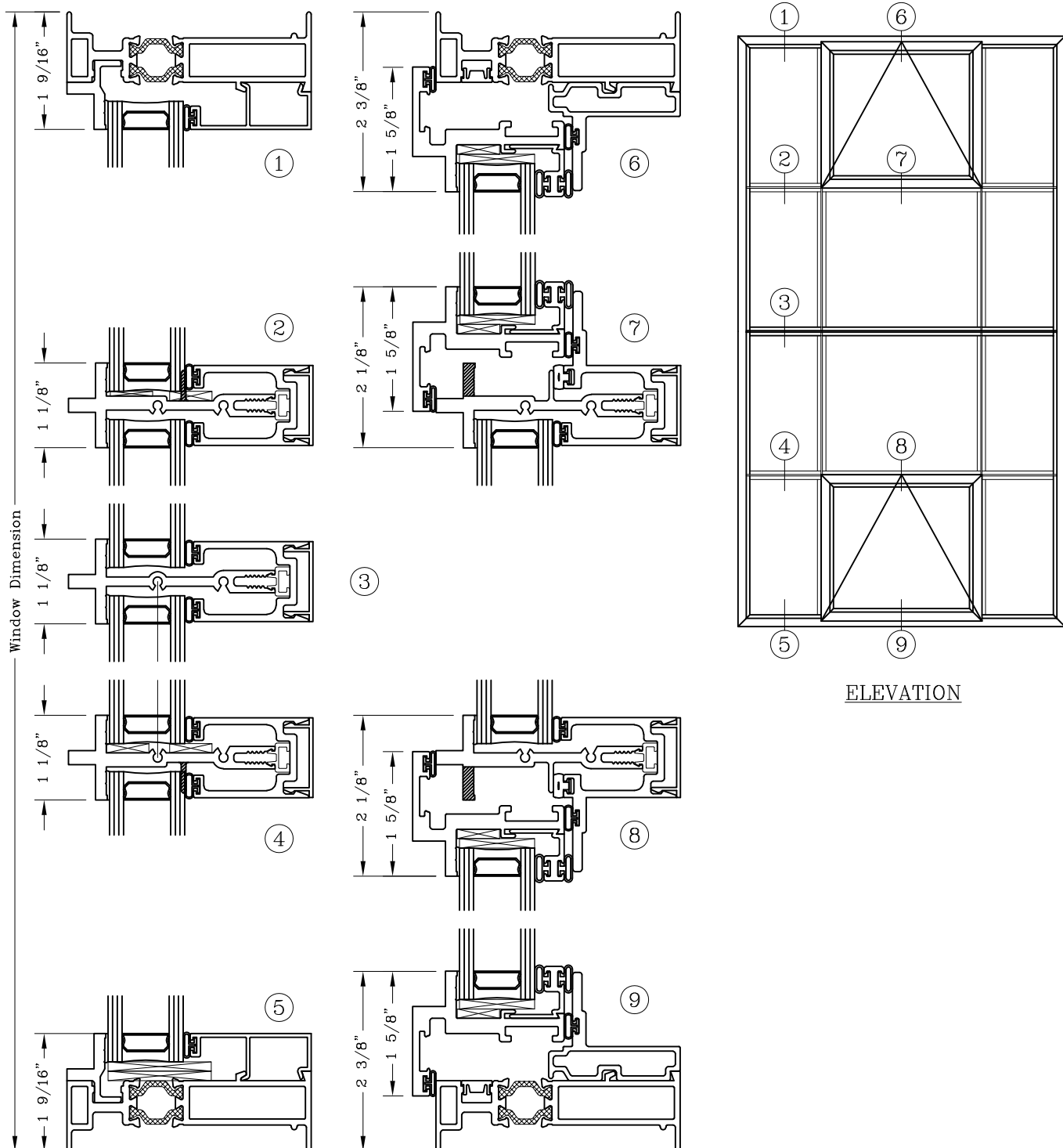
# Perimeter Vent - 3 1/4" Horizontals



Series: SR6700T      Manufacturing Code: SR67T04

Drawing 1/2 Scale - For Custom Size Drawing Contact Graham

Note: Sealant Not Shown On Details. Refer To General Installation Instructions.



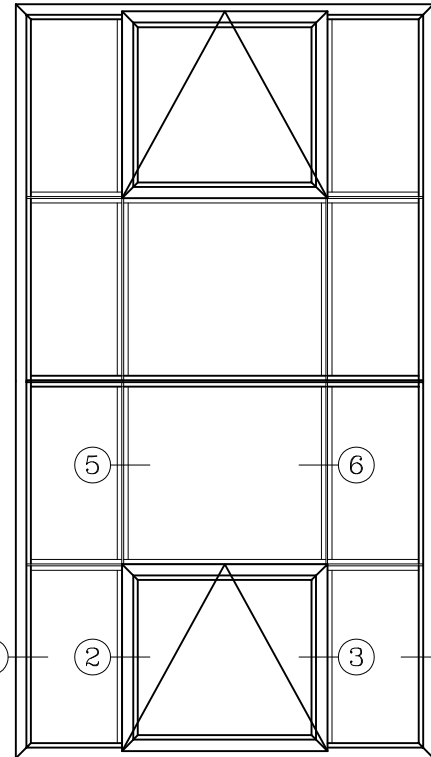
# Perimeter Vent - 3 1/4" Verticals



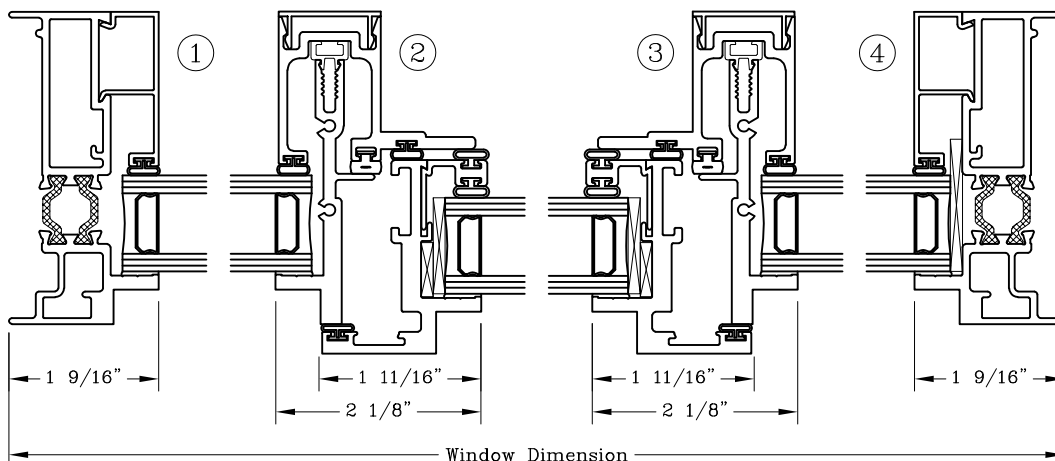
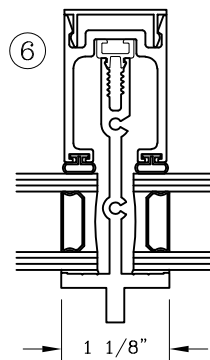
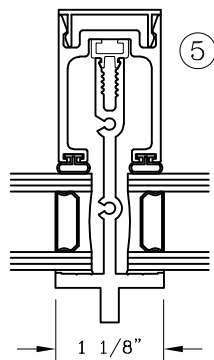
Series: SR6700T      Manufacturing Code: SR67T05

Drawing 1/2 Scale - For Custom Size Drawing Contact Graham

Note: Sealant Not Shown On Details. Refer To General Installation Instructions.



ELEVATION



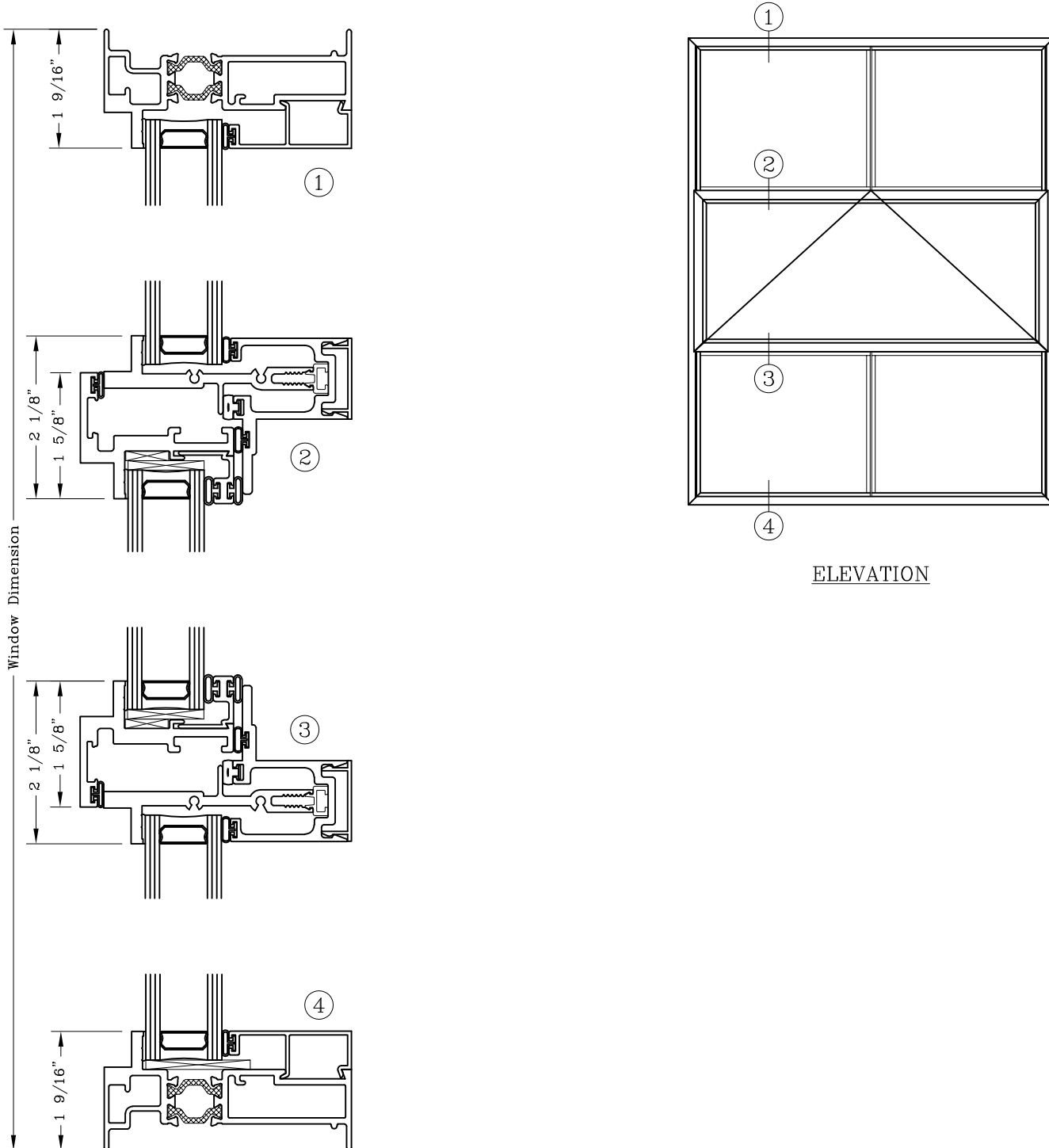
# Full Width Vent - 3 1/4" Horizontals



Series: SR6700T      Manufacturing Code: SR67T06

Drawing 1/2 Scale - For Custom Size Drawing Contact Graham

Note: Sealant Not Shown On Details. Refer To General Installation Instructions.



Graham Architectural Products reserves the right to change, add, cancel, remove or otherwise modify the details illustrated without prior notice.

1551 Mt. Rose Avenue, York, Pennsylvania 17403-2909 717.849.8100 Toll Free: 800/755-6274 0223 - SR67T.06

Web Site: [www.grahamwindows.com](http://www.grahamwindows.com)

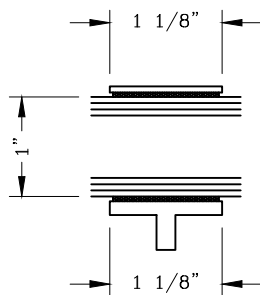
# Grid Options



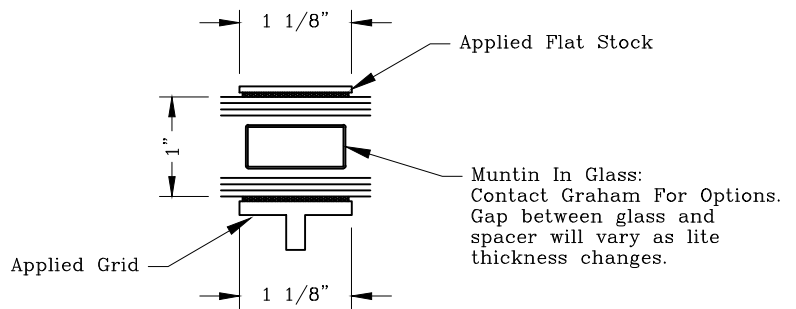
Series: SR6700T      Manufacturing Code: SR67T10

Drawing 1/2 Scale – For Custom Size Drawing Contact Graham

Note: Sealant Not Shown On Details. Refer To General Installation Instructions.



Applied Grid  
(Note: Applied Grids Are  
Tape Applied To Lite)



Triple Grid  
(1" IG with 1/4"-1/4" Lites Shown)