

Floating Vent - 3 1/4" Horizontals

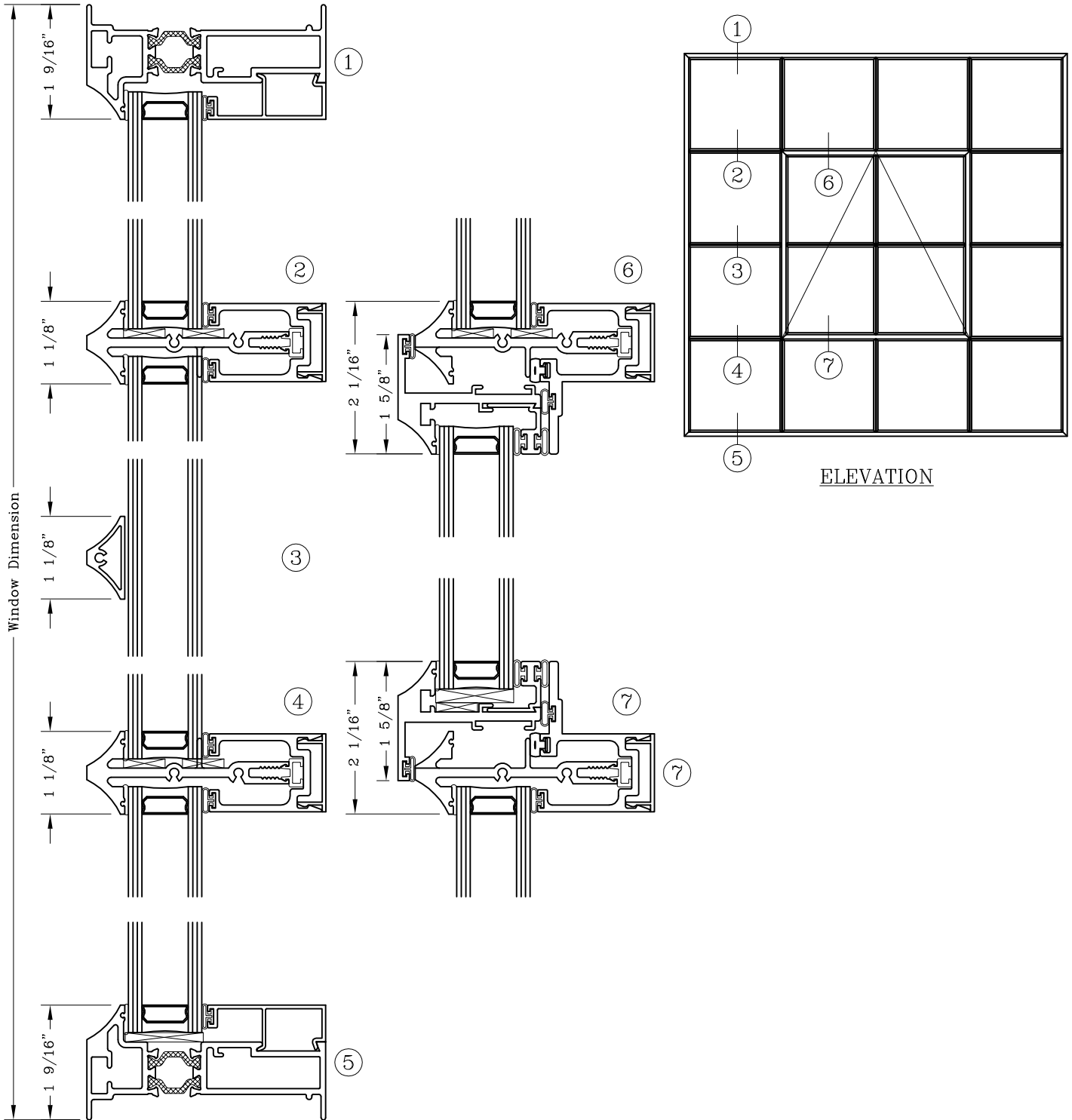


Series: SR6700

Manufacturing Code: SR6701

Drawing 1/2 Scale - For Custom Size Drawing Contact Graham

Note: Sealant Not Shown On Details. Refer To General Installation Instructions.



Floating Vent - 3 1/4" Verticals

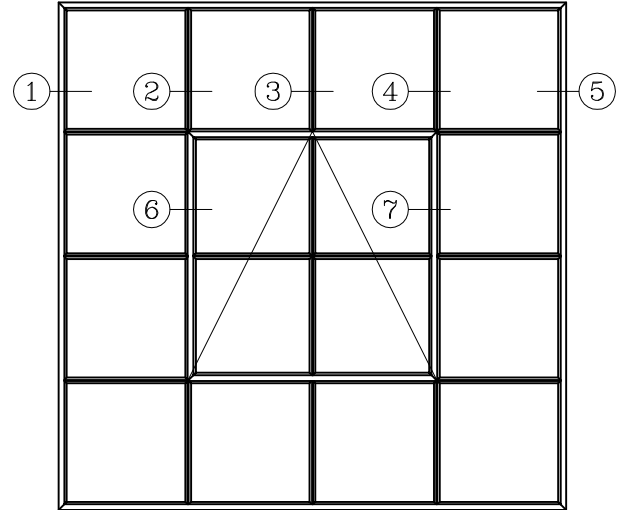


Series: SR6700

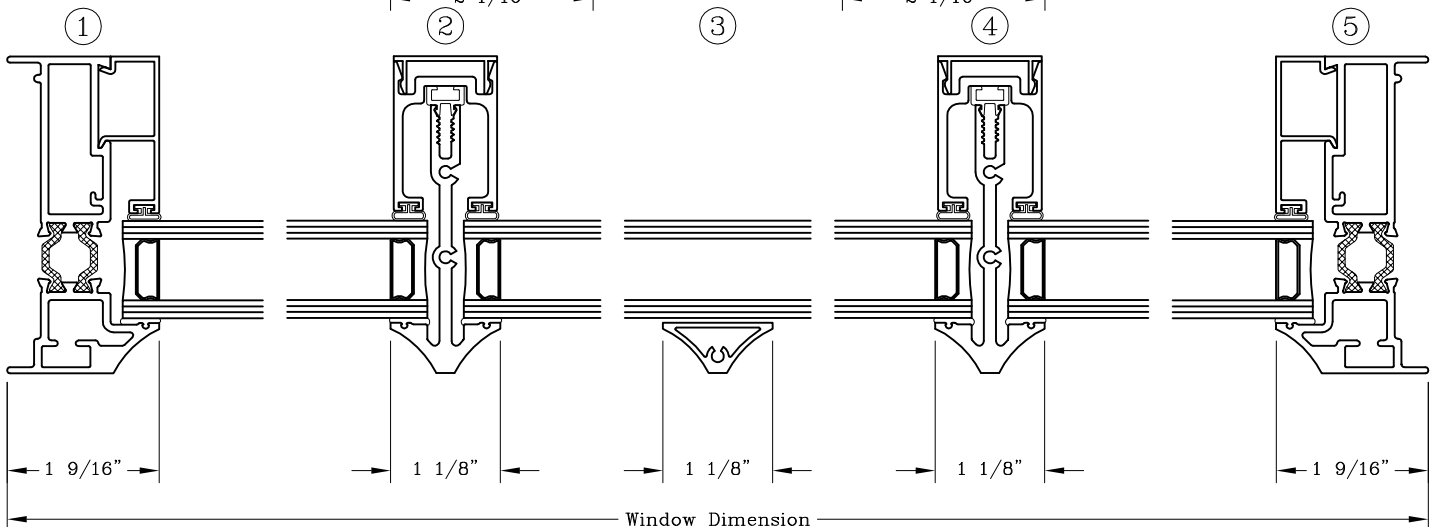
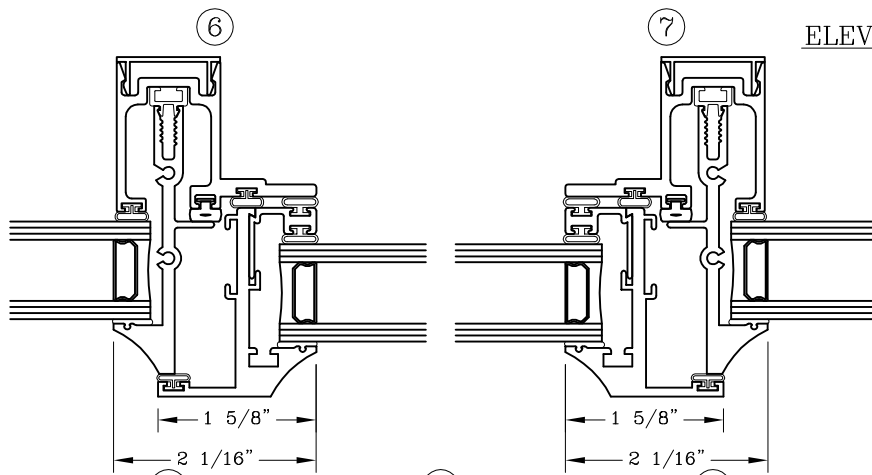
Manufacturing Code: SR6702

Drawing 1/2 Scale - For Custom Size Drawing Contact Graham

Note: Sealant Not Shown On Details. Refer To General Installation Instructions.



ELEVATION



Fixed - 3 1/4"

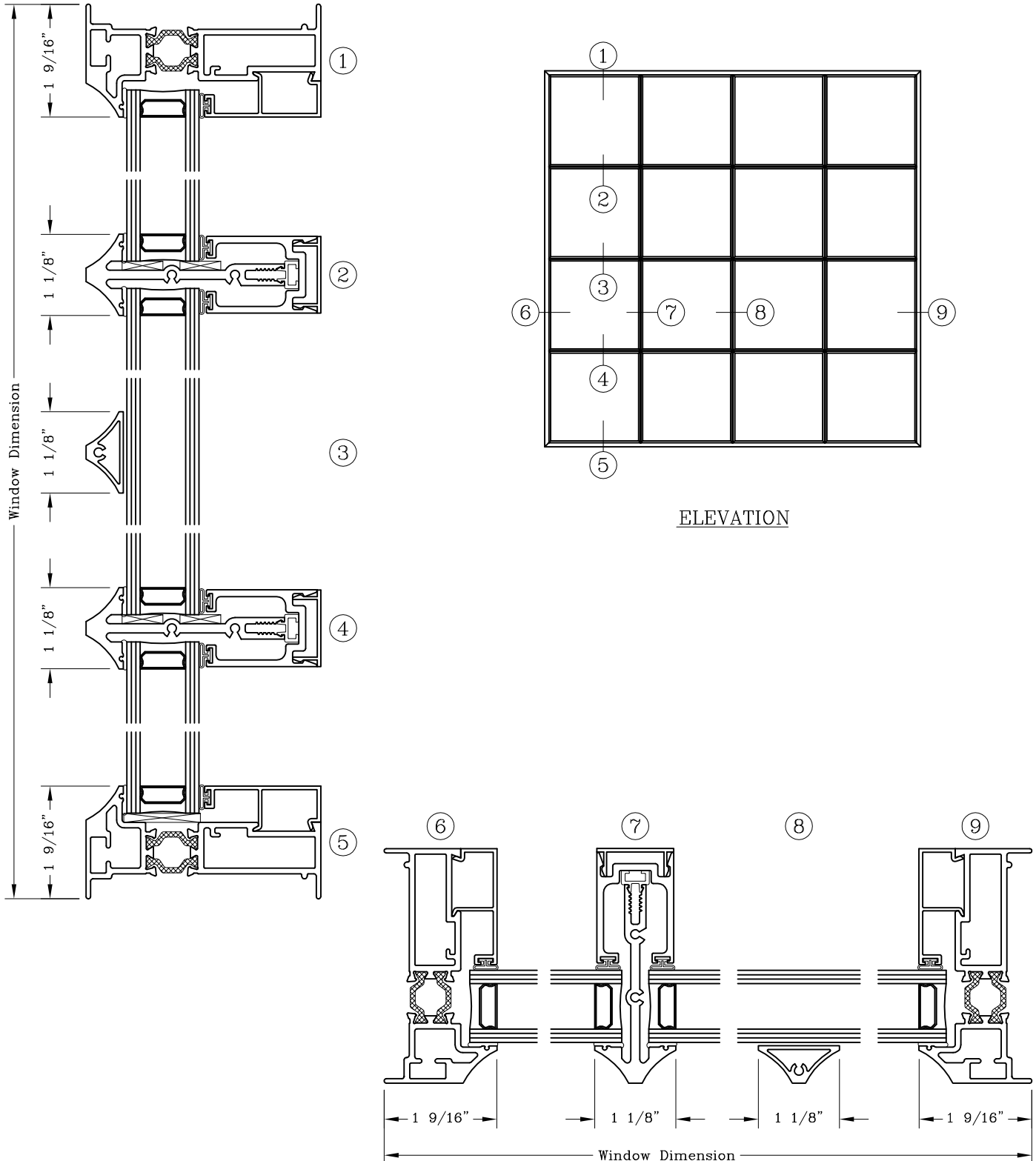


Series: SR6700

Manufacturing Code: SR6703

Drawing 1/2 Scale - For Custom Size Drawing Contact Graham

Note: Sealant Not Shown On Details. Refer To General Installation Instructions.



Perimeter Vent – 3 1/4” Horizontals

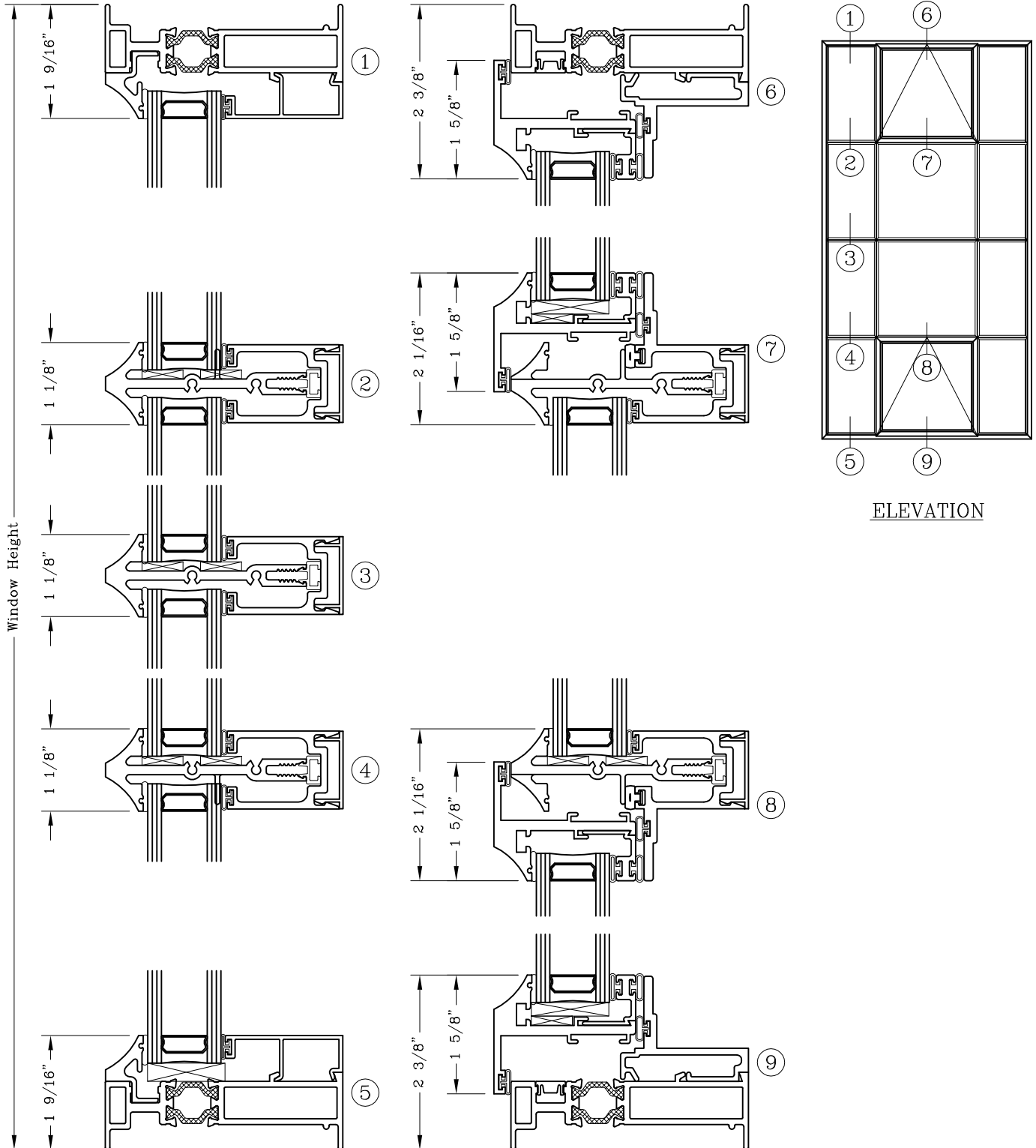


Series: SR6700

Manufacturing Code: SR6704

Drawing 1/2 Scale – For Custom Size Drawing Contact Graham

Note: Sealant Not Shown On Details. Refer To General Installation Instructions.



Perimeter Vent - 3 1/4" Verticals

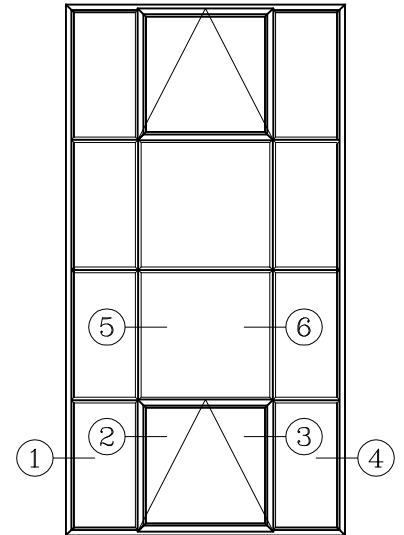


Series: SR6700

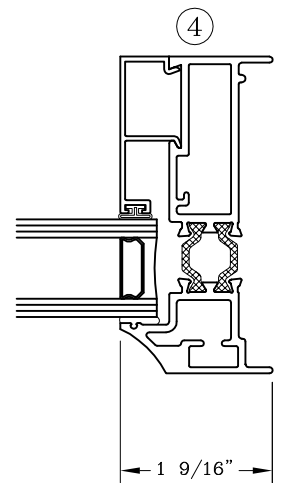
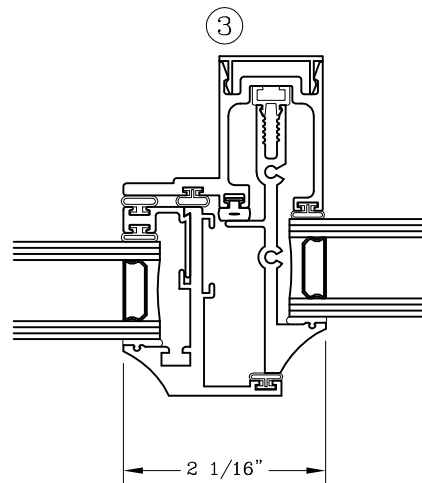
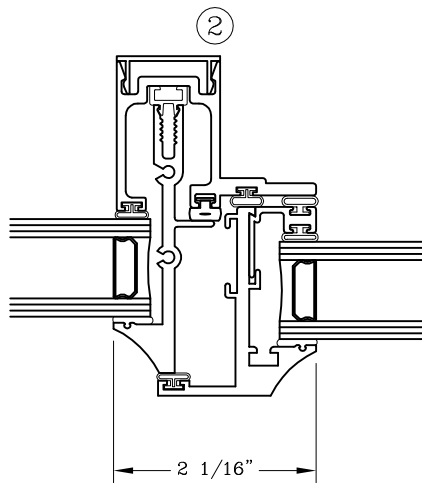
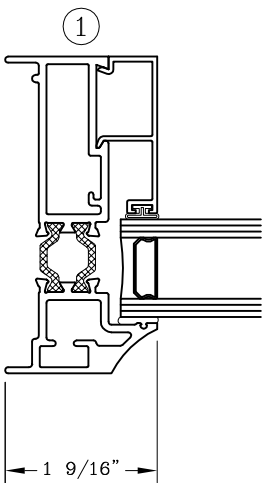
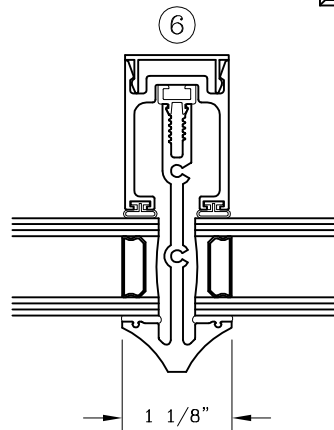
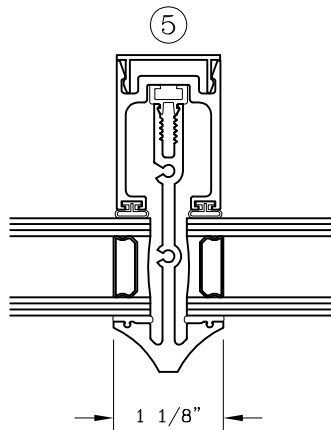
Manufacturing Code: SR6705

Drawing 1/2 Scale - For Custom Size Drawing Contact Graham

Note: Sealant Not Shown On Details. Refer To General Installation Instructions.



ELEVATION



Window Dimension

Full Width Vent - 3 1/4" Horizontals

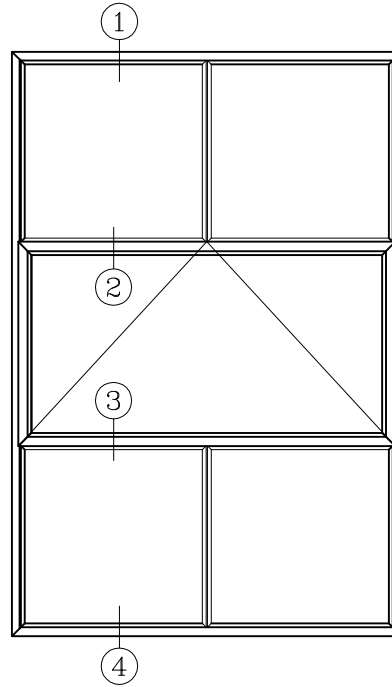
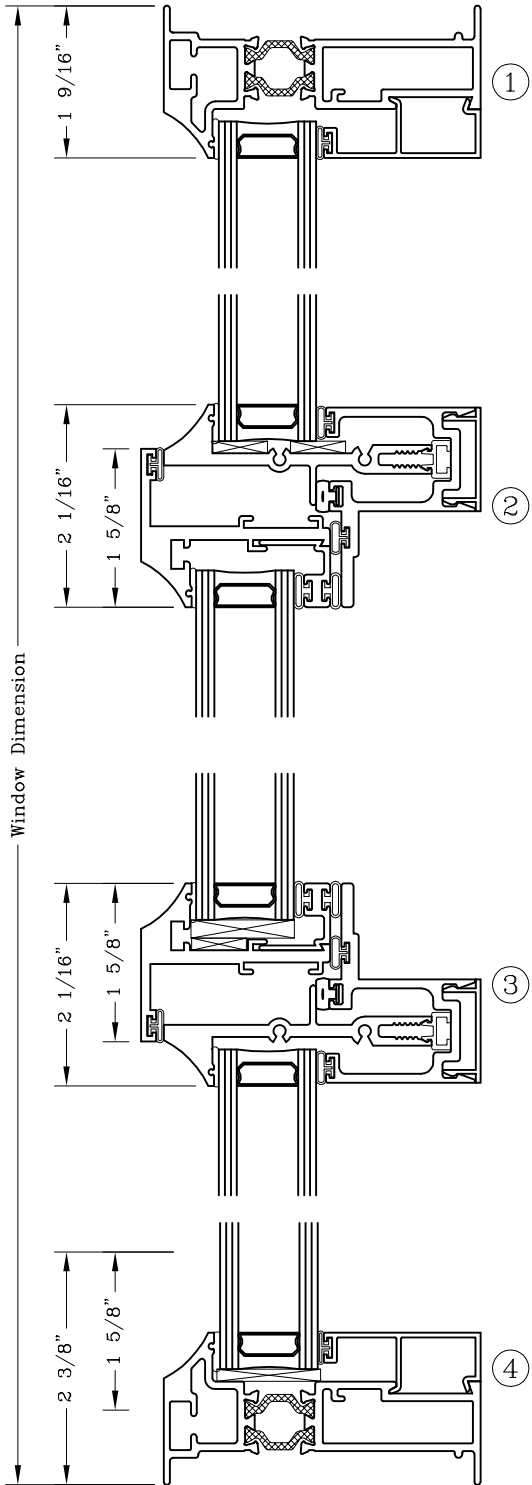


Series: SR6700

Manufacturing Code: SR6706

Drawing 1/2 Scale - For Custom Size Drawing Contact Graham

Note: Sealant Not Shown On Details. Refer To General Installation Instructions.



ELEVATION

Full Width Vent - 3 1/4" Verticals

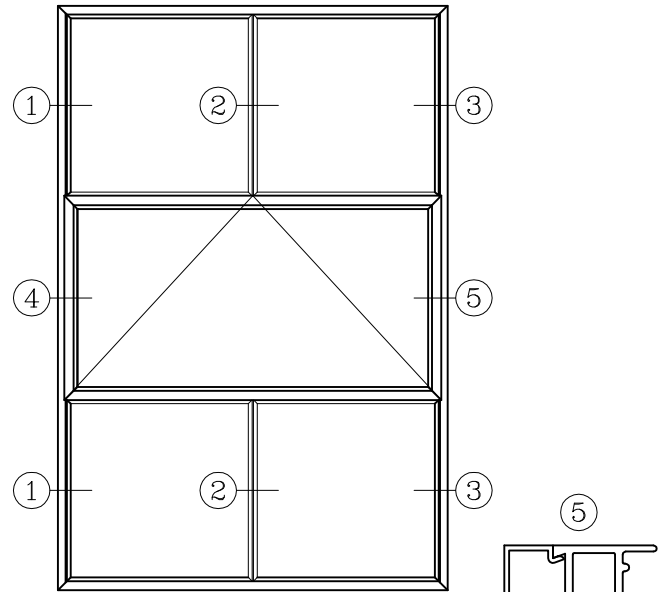


Series: SR6700

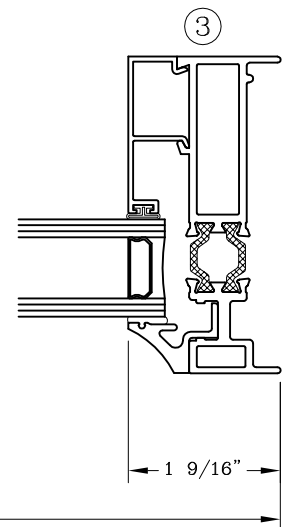
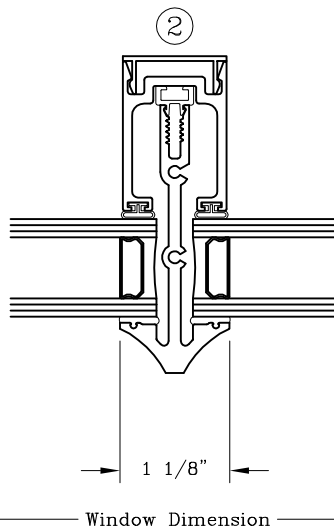
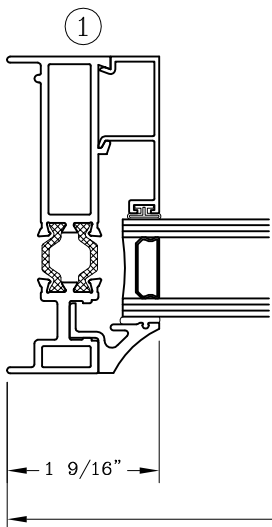
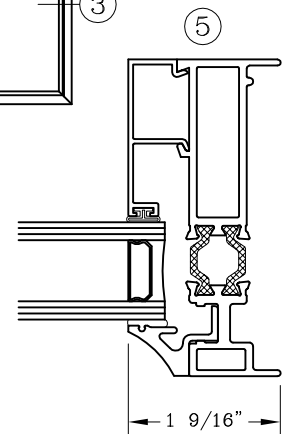
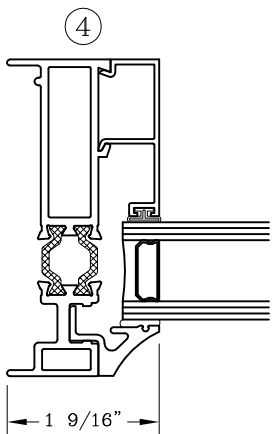
Manufacturing Code: SR6707

Drawing 1/2 Scale - For Custom Size Drawing Contact Graham

Note: Sealant Not Shown On Details. Refer To General Installation Instructions.



ELEVATION



Window Dimension

Dual Casement Vents - 3 1/4" Horizontals

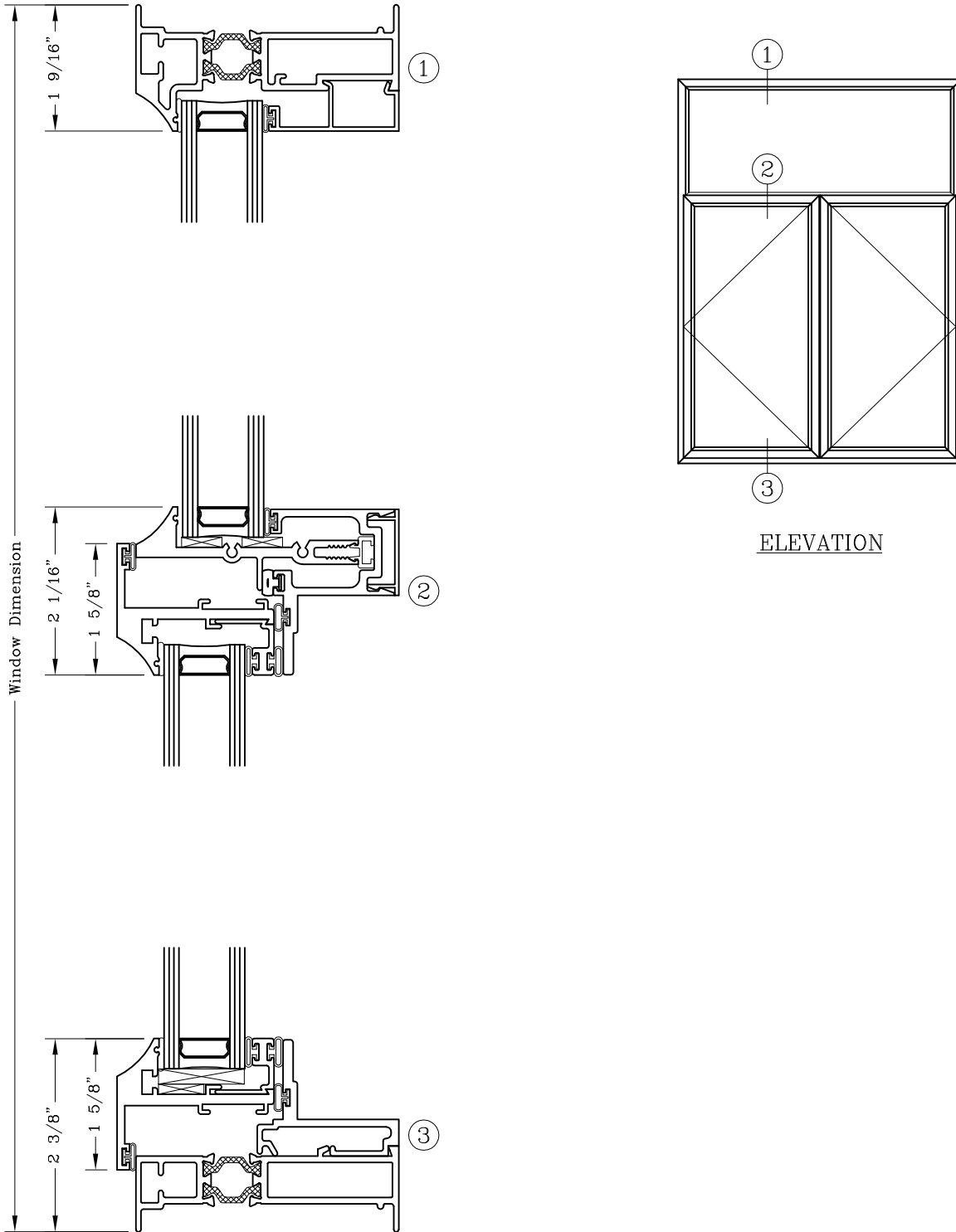


Series: SR6700

Manufacturing Code: SR6708

Drawing 1/2 Scale - For Custom Size Drawing Contact Graham

Note: Sealant Not Shown On Details. Refer To General Installation Instructions.



Dual Casement Vents – 3 1/4” Verticals

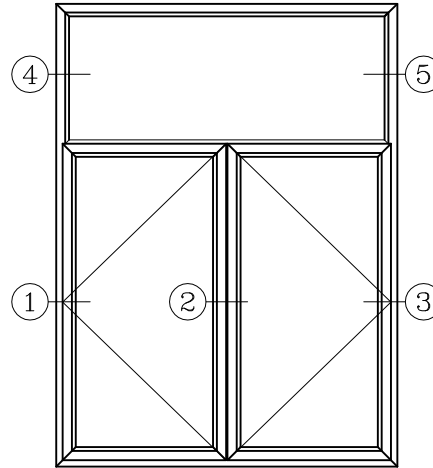


Series: SR6700

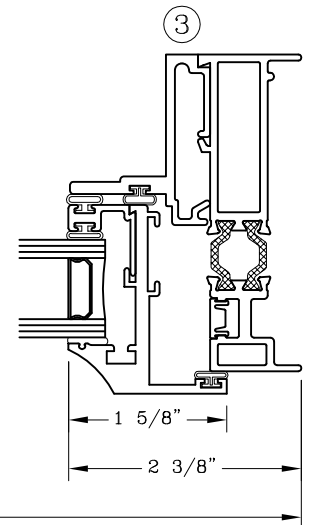
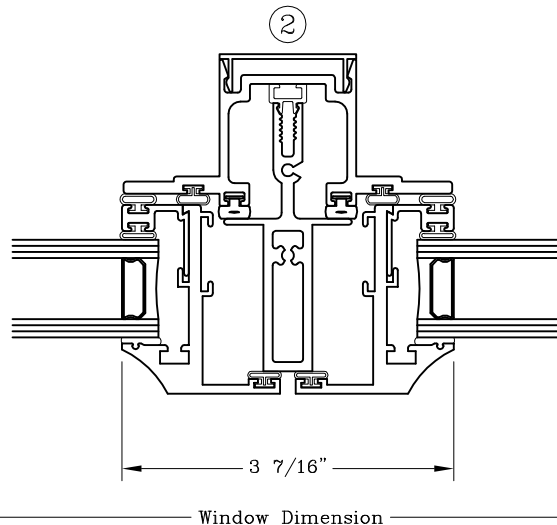
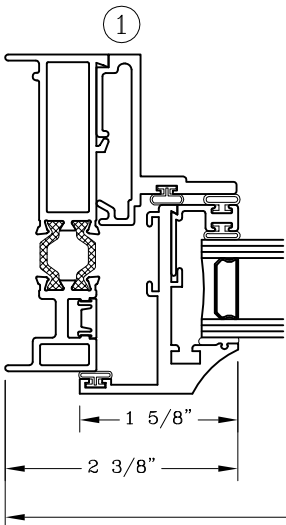
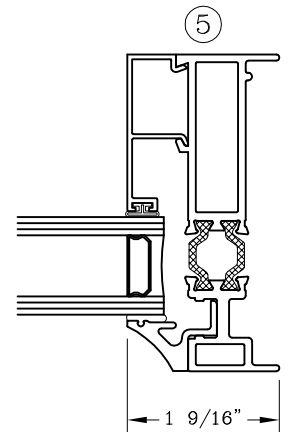
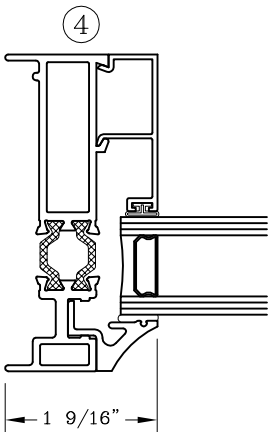
Manufacturing Code: SR6709

Drawing 1/2 Scale – For Custom Size Drawing Contact Graham

Note: Sealant Not Shown On Details. Refer To General Installation Instructions.



ELEVATION



Window Dimension

Grid And True Muntin Options

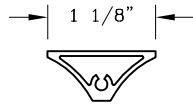


Series: SR6700

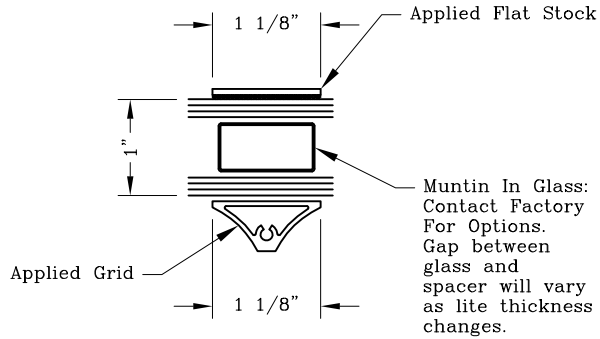
Manufacturing Code: SR6710

Drawing 1/2 Scale – For Custom Size Drawing Contact Graham

Note: Sealant Not Shown On Details. Refer To General Installation Instructions.



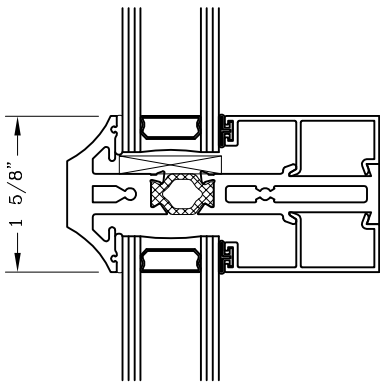
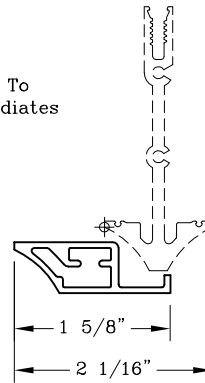
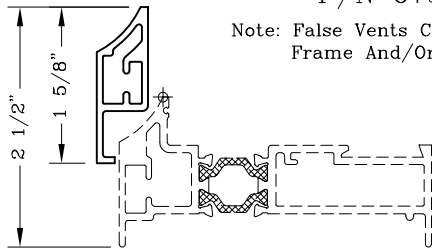
Applied Grid
P/N 675190



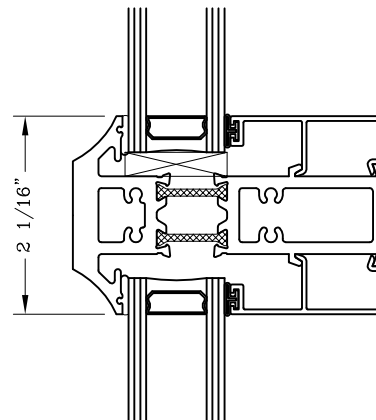
Triple Grid
P/N 675190
(1" IG with 1/4"-1/4" Lites Shown)

False Vent
P/N 675191

Note: False Vents Connected To Frame And/Or Intermediates



Fixed/Fixed Intermediate
P/N 675055



Fixed/Fixed Intermediate
P/N 675056