

Dual Casement Vents – 3 1/4” Horizontals

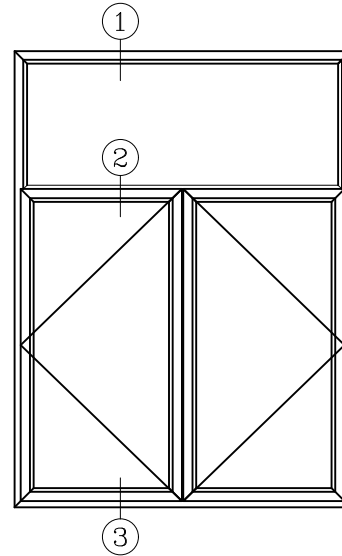
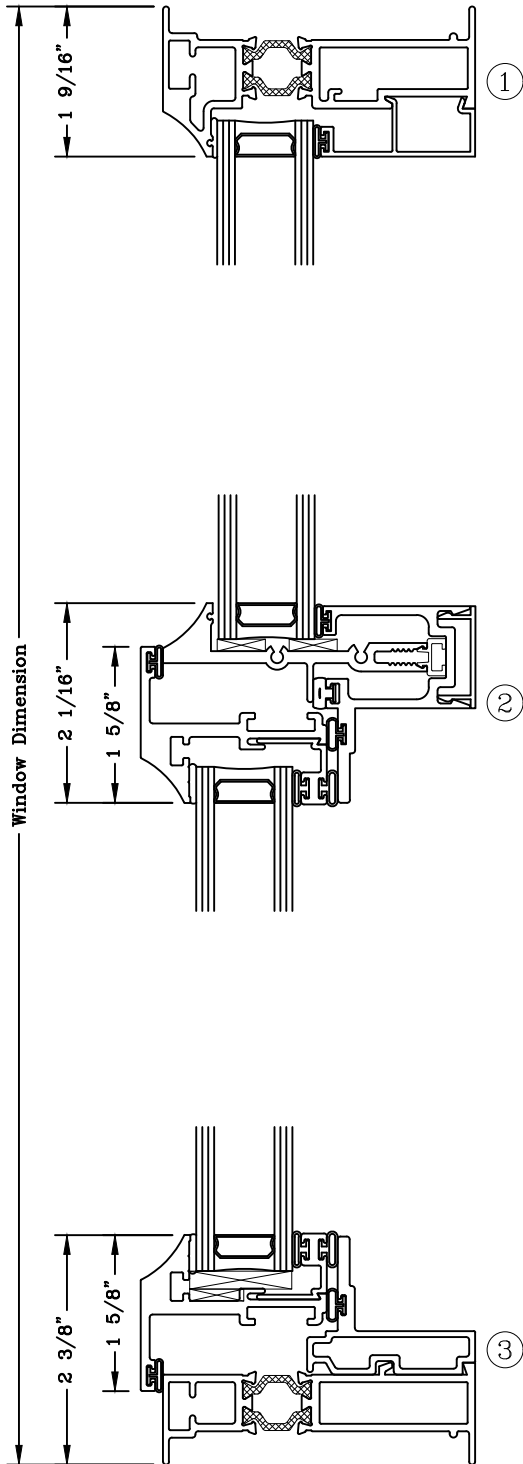


Series: SR6700

Manufacturing Code: SR6708

Drawing 1/2 Scale – For Custom Size Drawing Contact Graham

Note: Sealant Not Shown On Details. Refer To General Installation Instructions.



ELEVATION

Graham Architectural Products reserves the right to change, add, cancel, remove or otherwise modify the details illustrated without prior notice.

1551 Mt. Rose Avenue, York, Pennsylvania 17403-2909 800/755-6274 Fax: 800/366-5097

0320 – SR67.08

Web Site: www.grahamwindows.com

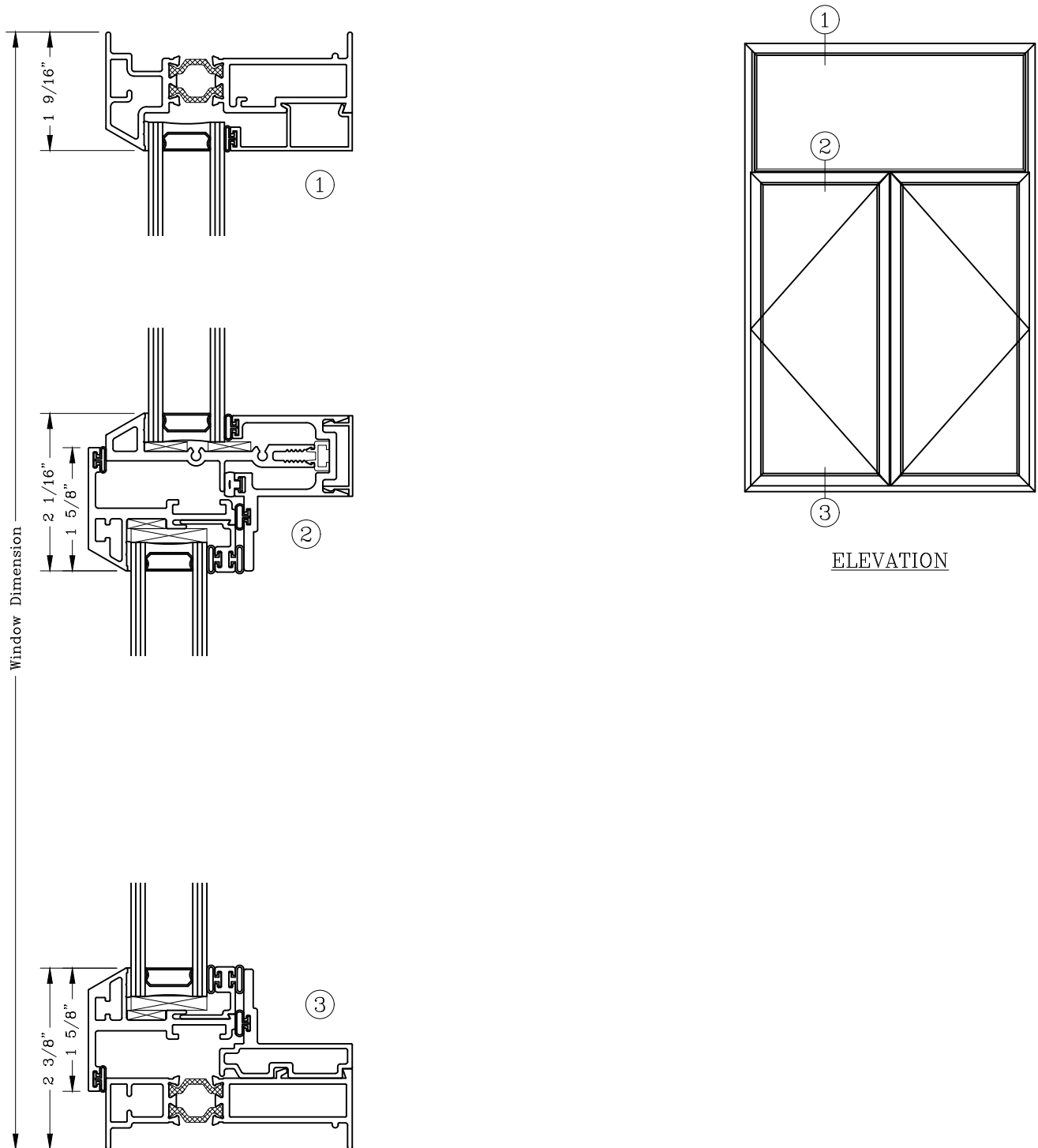
Dual Casement Vents – 3 1/4” Horizontals



Series: SR6700B Manufacturing Code: SR67B08

Drawing 1/2 Scale – For Custom Size Drawing Contact Graham

Note: Sealant Not Shown On Details. Refer To General Installation Instructions.



Dual Casement Vents - 3 1/4" Verticals

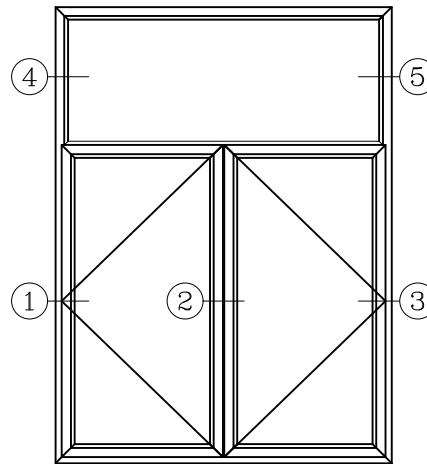


Series: SR6700

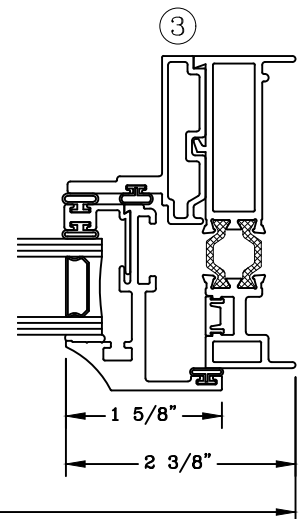
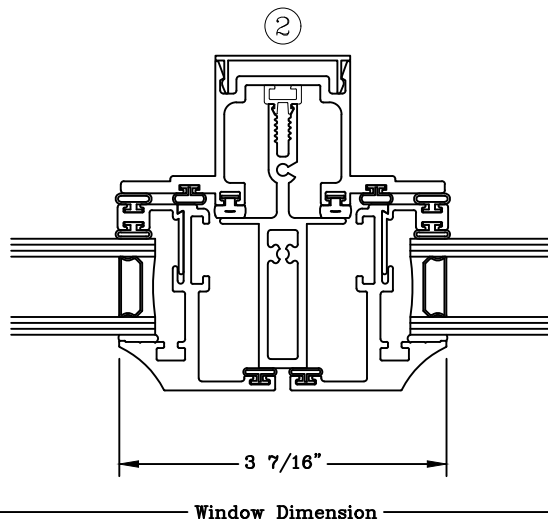
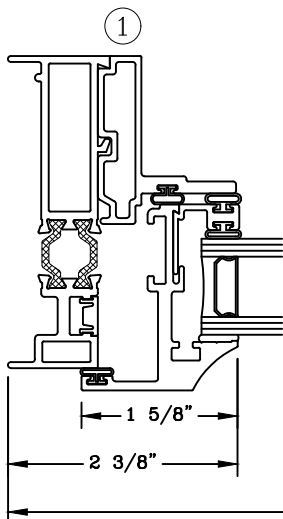
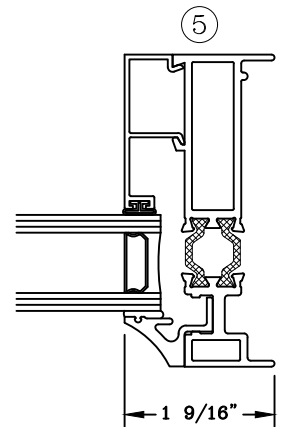
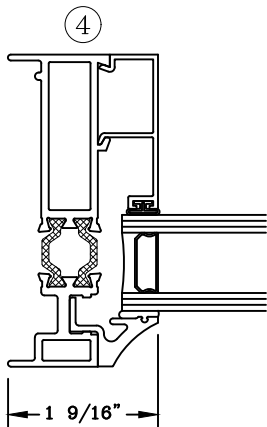
Manufacturing Code: SR6709

Drawing 1/2 Scale - For Custom Size Drawing Contact Graham

Note: Sealant Not Shown On Details. Refer To General Installation Instructions.



ELEVATION



Window Dimension

Graham Architectural Products reserves the right to change, add, cancel, remove or otherwise modify the details illustrated without prior notice.

1551 Mt. Rose Avenue, York, Pennsylvania 17403-2909 800/755-6274 Fax: 800/366-5097

0320 - SR67.09

Web Site: www.grahamwindows.com

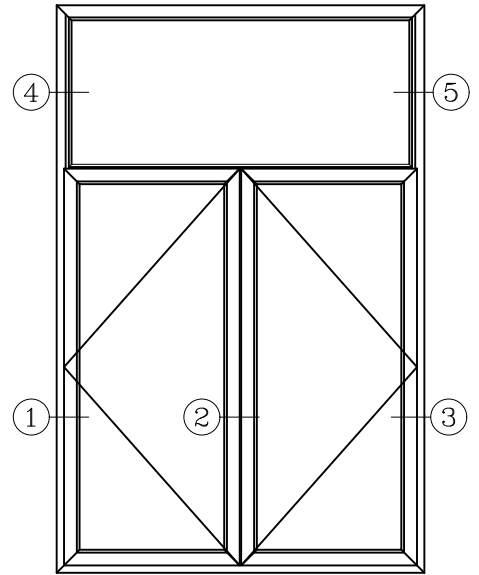
Dual Casement Vents – 3 1/4” Verticals



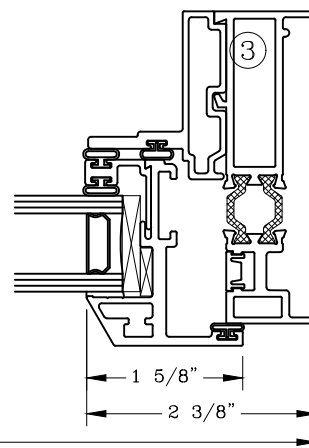
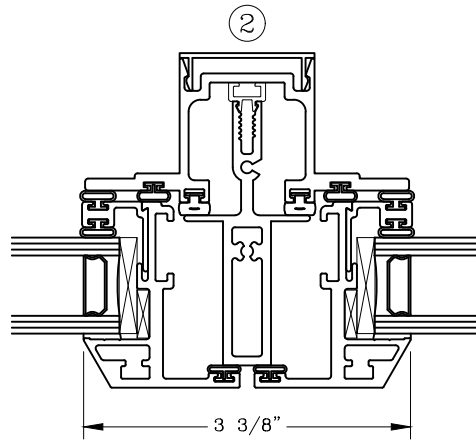
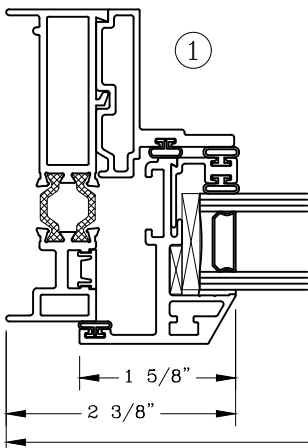
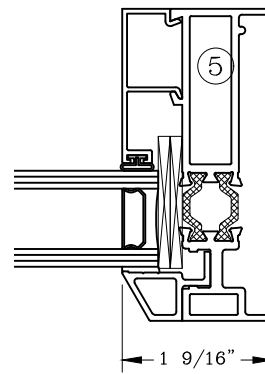
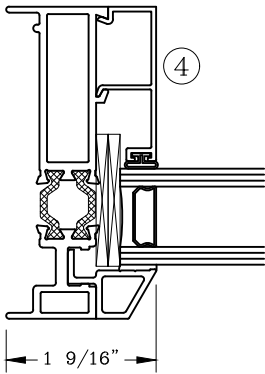
Series: SR6700B Manufacturing Code: SR67B09

Drawing 1/2 Scale – For Custom Size Drawing Contact Graham

Note: Sealant Not Shown On Details. Refer To General Installation Instructions.



ELEVATION



Window Dimension

Graham Architectural Products reserves the right to change, add, cancel, remove or otherwise modify the details illustrated without prior notice.

1551 Mt. Rose Avenue, York, Pennsylvania 17403-2909 800/755-6274 Fax: 800/366-5097

0320 – SR67B.09

Web Site: www.grahamwindows.com

Casement Vent – 3 1/4” Single – Concaved Profile

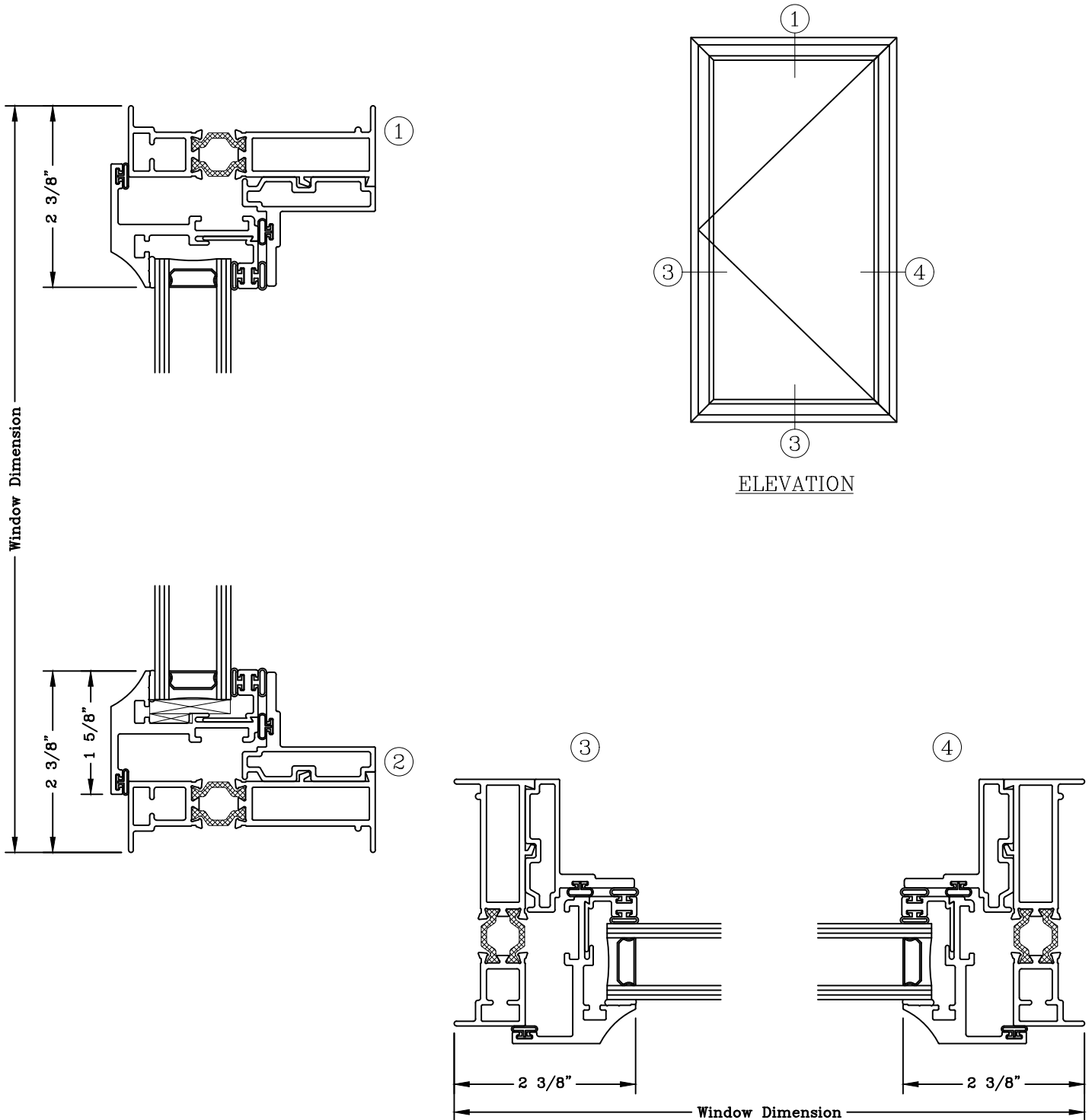


Series: SR6700

Manufacturing Code: SR6711

Drawing 1/2 Scale – For Custom Size Drawing Contact Graham

Note: Sealant Not Shown On Details. Refer To General Installation Instructions.



Graham Architectural Products reserves the right to change, add, cancel, remove or otherwise modify the details illustrated without prior notice.

1551 Mt. Rose Avenue, York, Pennsylvania 17403-2909 800/755-6274 Fax: 800/366-5097

0420 – SR67.11

Web Site: www.grahamwindows.com

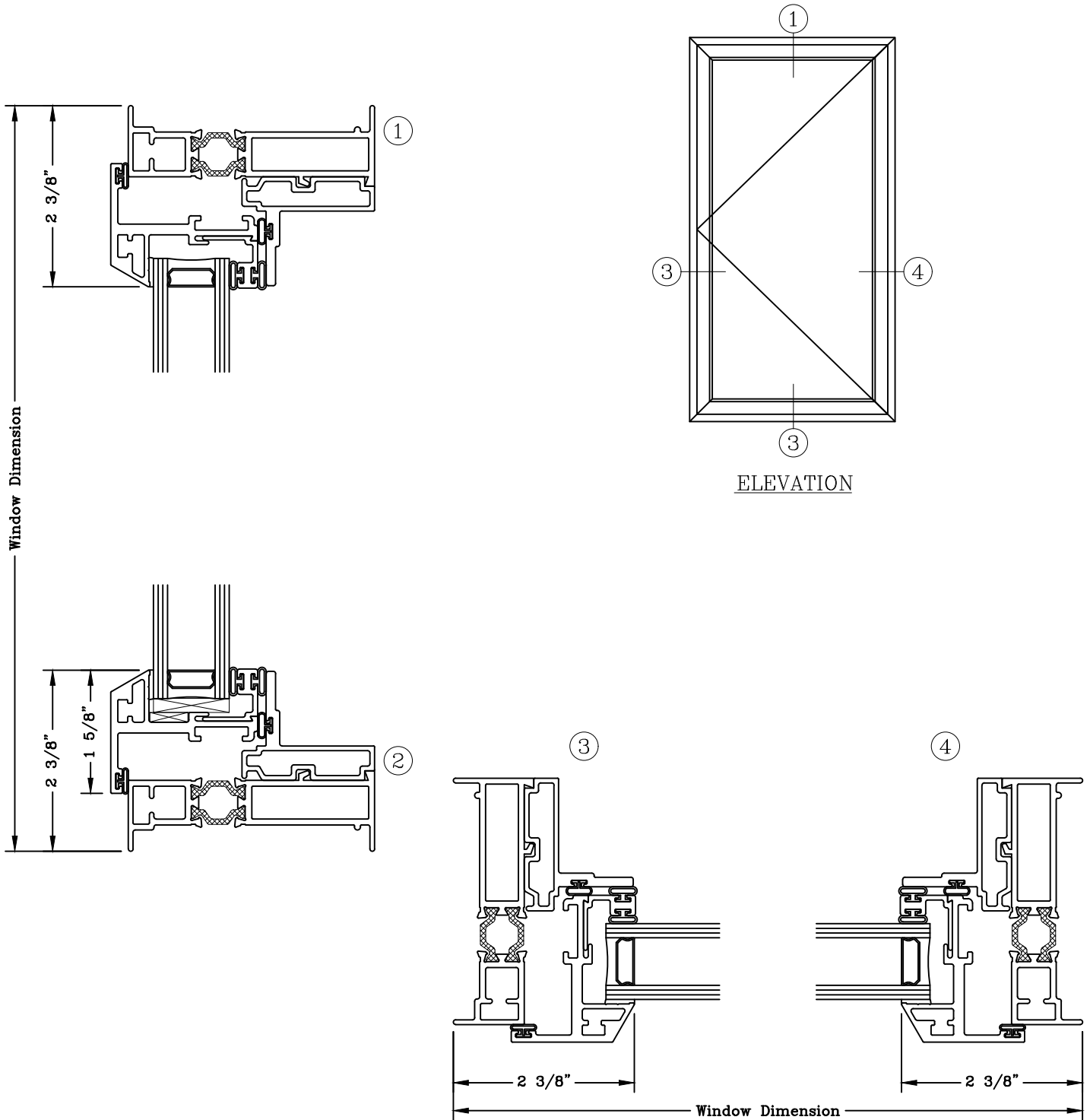
Casement Vent – 3 1/4” Single – Beveled Profile



Series: SR6700B Manufacturing Code: SR67B11

Drawing 1/2 Scale – For Custom Size Drawing Contact Graham

Note: Sealant Not Shown On Details. Refer To General Installation Instructions.



Graham Architectural Products reserves the right to change, add, cancel, remove or otherwise modify the details illustrated without prior notice.

1551 Mt. Rose Avenue, York, Pennsylvania 17403-2909 800/755-6274 Fax: 800/366-5097

0420 – SR67B.11

Web Site: www.grahamwindows.com

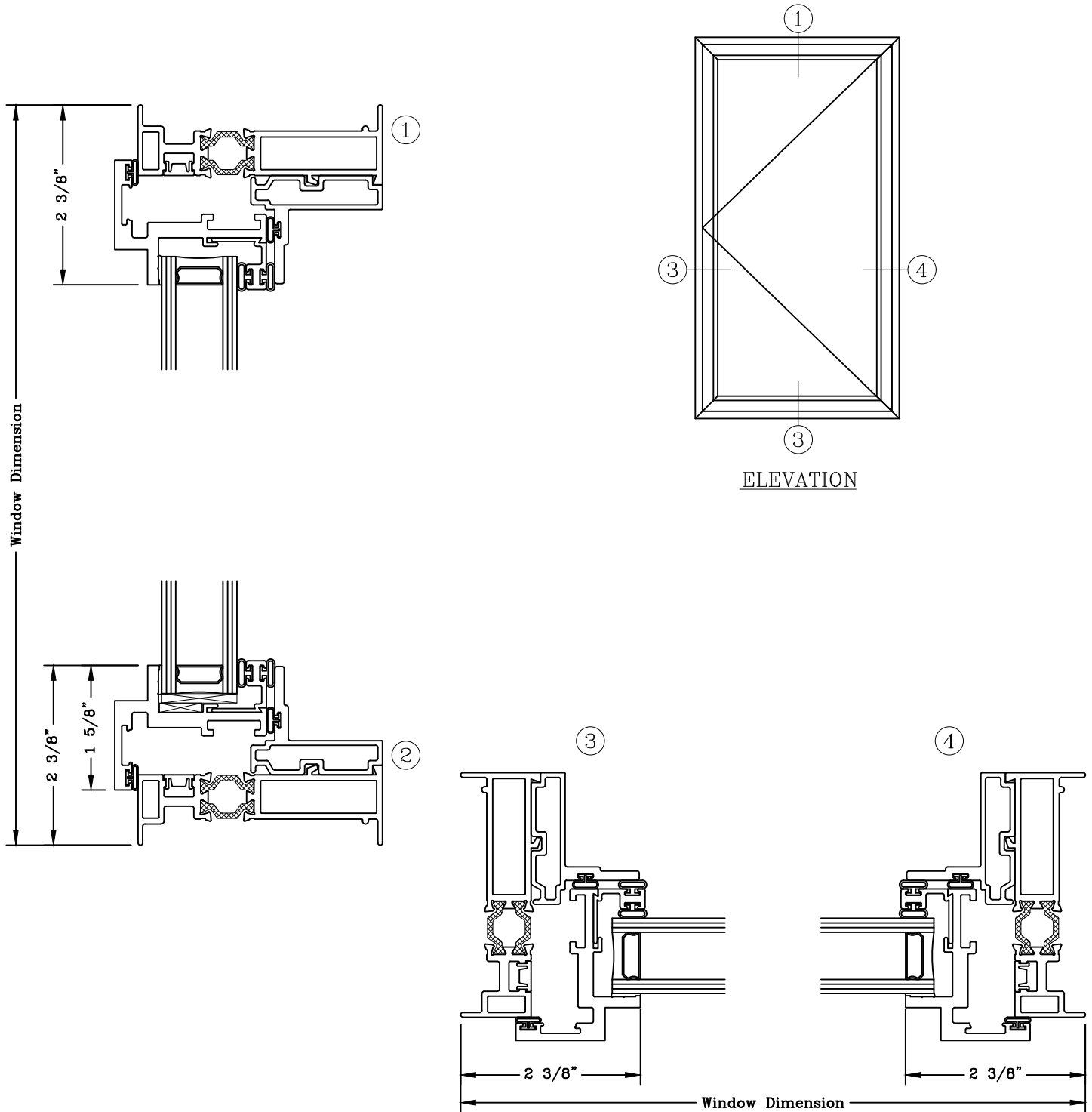
Casement Vent – 3 1/4” Single – ”T” Profile



Series: SR6700T Manufacturing Code: SR67T11

Drawing 1/2 Scale – For Custom Size Drawing Contact Graham

Note: Sealant Not Shown On Details. Refer To General Installation Instructions.



Graham Architectural Products reserves the right to change, add, cancel, remove or otherwise modify the details illustrated without prior notice.

1551 Mt. Rose Avenue, York, Pennsylvania 17403-2909 800/755-6274 Fax: 800/366-5097

0420 – SR67T.11

Web Site: www.grahamwindows.com

Grid And True Muntin Options

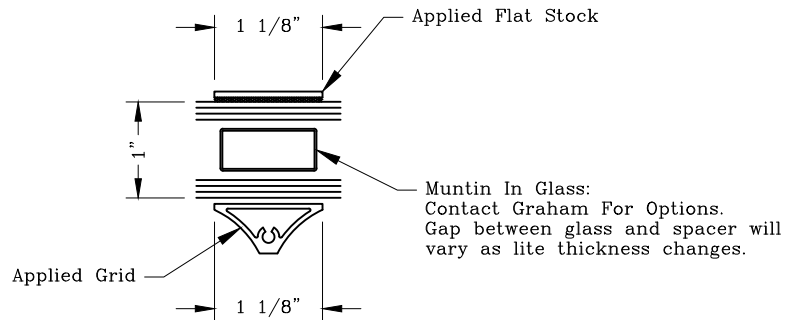
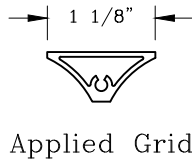


Series: SR6700

Manufacturing Code: SR6710

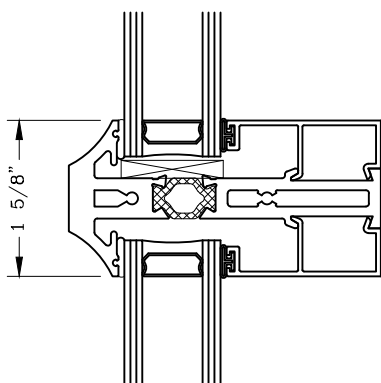
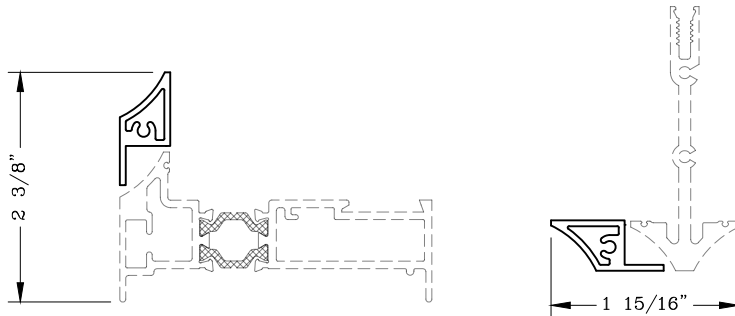
Drawing 1/2 Scale – For Custom Size Drawing Contact Graham

Note: Sealant Not Shown On Details. Refer To General Installation Instructions.

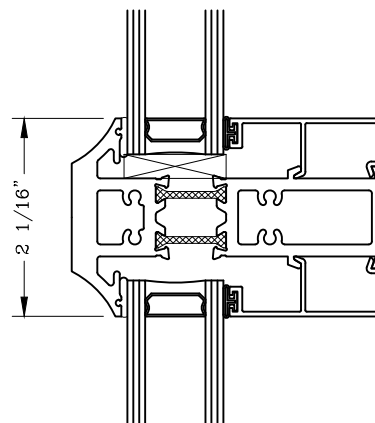


Triple Grid
(1" IG with 1/4"-1/4" Lites Shown)

Vent Sightline Applied Adapter



Fixed/Fixed Intermediate
P/N 675055



Fixed/Fixed Intermediate
P/N 675056

Graham Architectural Products reserves the right to change, add, cancel, remove or otherwise modify the details illustrated without prior notice.

1551 Mt. Rose Avenue, York, Pennsylvania 17403-2909 800/755-6274 Fax: 800/366-5097

Web Site: www.grahamwindows.com

0320 - SR67.10

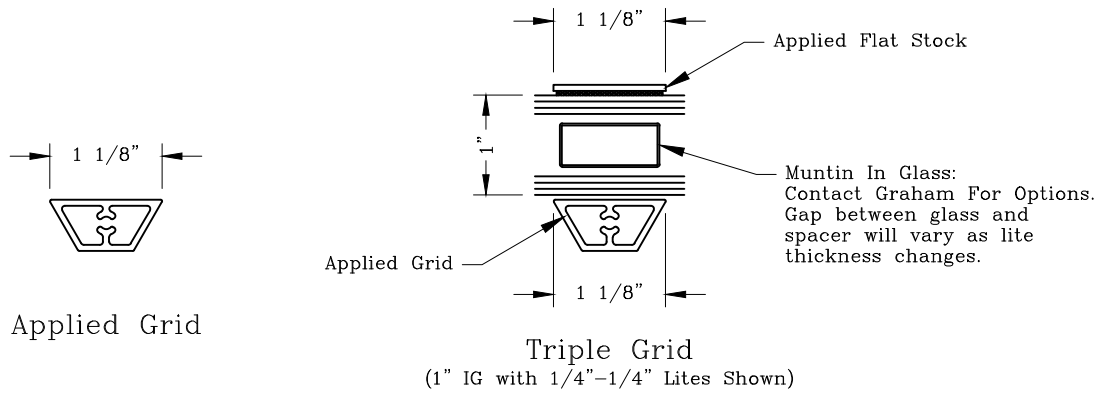
Grid Options



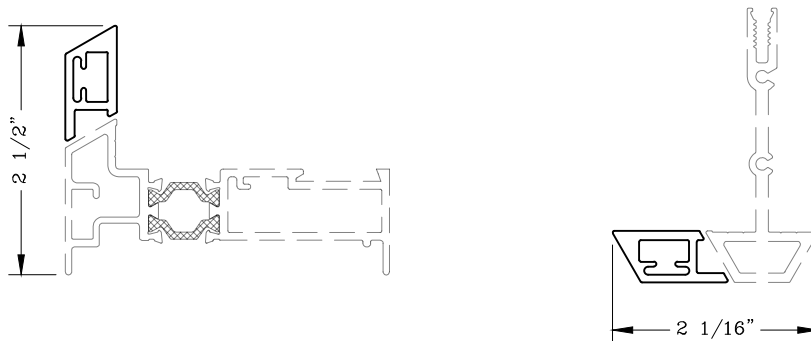
Series: SR6700B Manufacturing Code: SR67B10

Drawing 1/2 Scale – For Custom Size Drawing Contact Graham

Note: Sealant Not Shown On Details. Refer To General Installation Instructions.



Vent Sightline Applied Adapter
(Note: Vent Sightline Adapters Are Tape Applied To Lite)



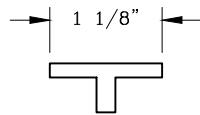
Grid Options



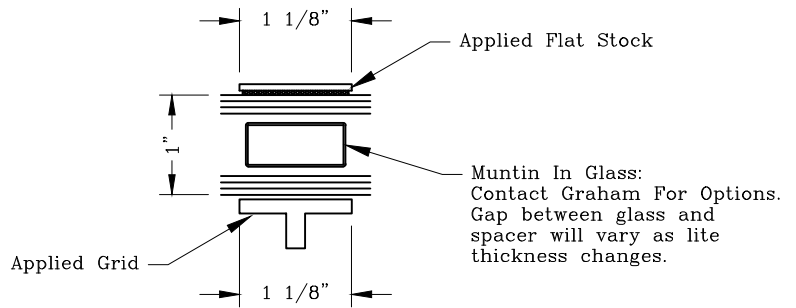
Series: SR6700T Manufacturing Code: SR67T10

Drawing 1/2 Scale – For Custom Size Drawing Contact Graham

Note: Sealant Not Shown On Details. Refer To General Installation Instructions.



Applied Grid
(Note: Applied Grids Are
Tape Applied To Lite)



Triple Grid
(1" IG with 1/4"-1/4" Lites Shown)

Vent Sightline Applied Adapter
(Note: Vent Sightline Adapters Are Tape Applied To Lite)

