

Fixed - 3 1/4"

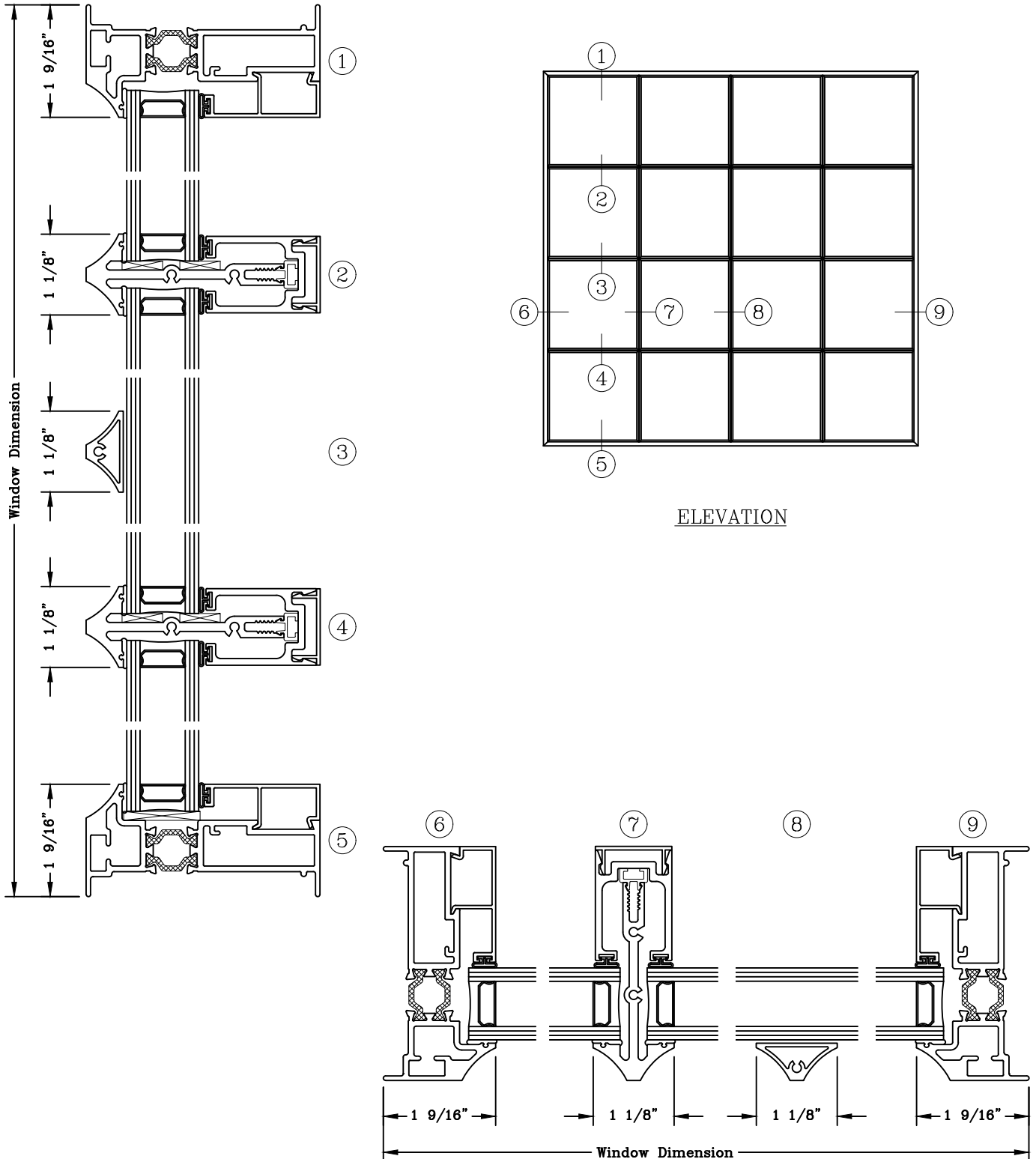


Series: SR6700

Manufacturing Code: SR6703

Drawing 1/2 Scale - For Custom Size Drawing Contact Graham

Note: Sealant Not Shown On Details. Refer To General Installation Instructions.



Graham Architectural Products reserves the right to change, add, cancel, remove or otherwise modify the details illustrated without prior notice.

1551 Mt. Rose Avenue, York, Pennsylvania 17403-2909 800/755-6274 Fax: 800/366-5097

0320 - SR67.03

Web Site: www.grahamwindows.com

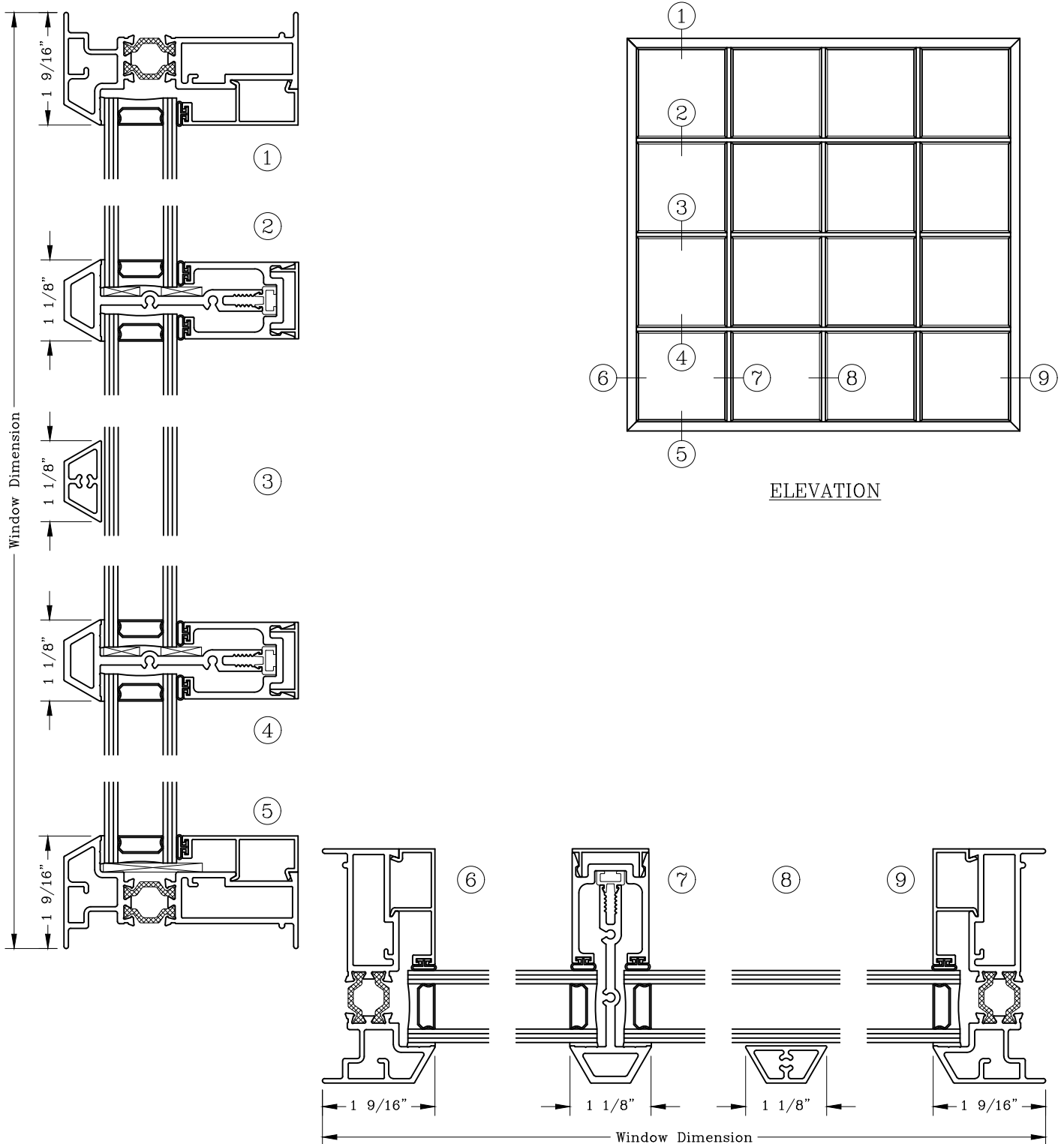
Fixed - 3 1/4"



Series: SR6700B Manufacturing Code: SR67B03

Drawing 1/2 Scale - For Custom Size Drawing Contact Graham

Note: Sealant Not Shown On Details. Refer To General Installation Instructions.



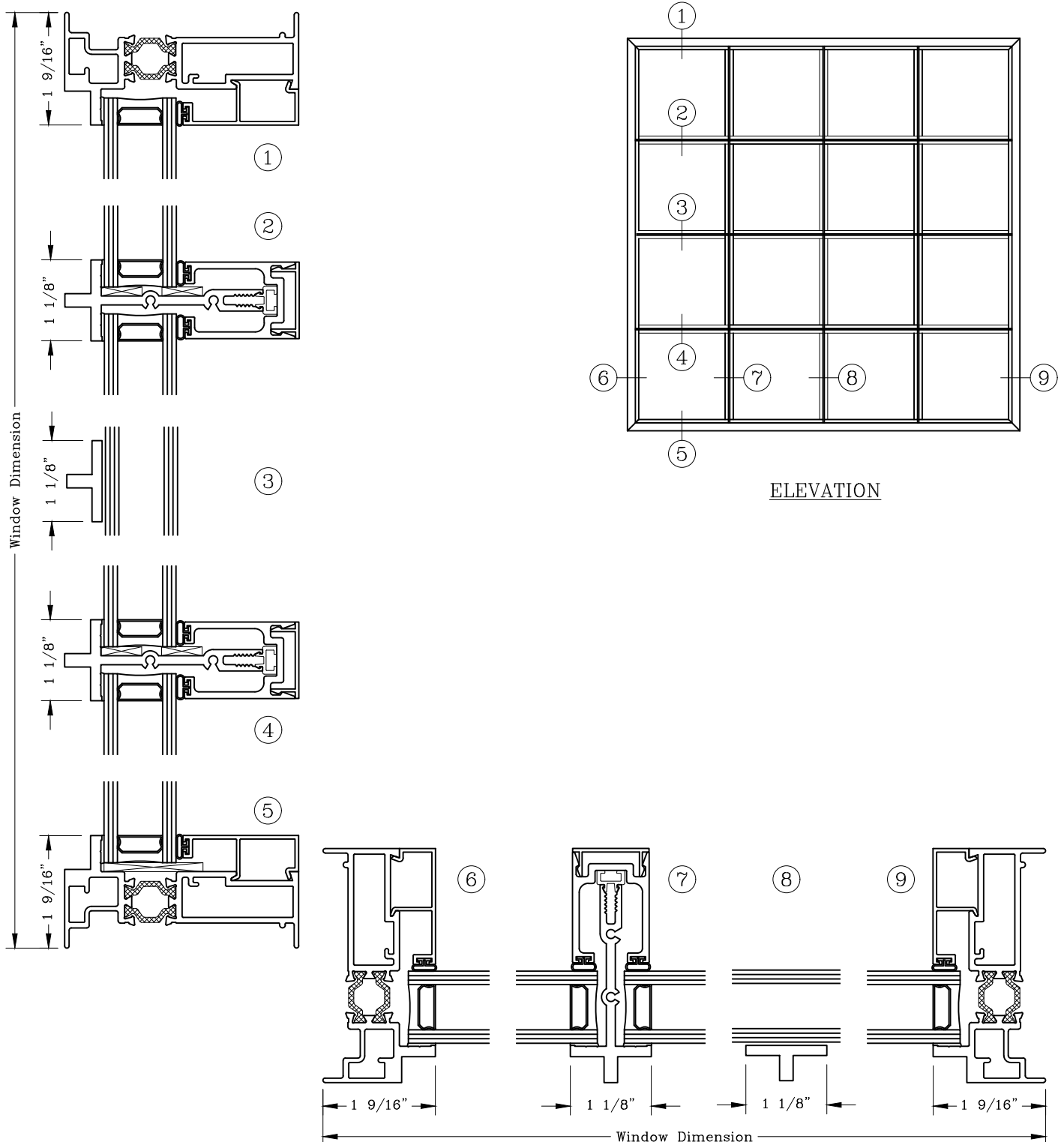
Fixed - 3 1/4"



Series: SR6700T Manufacturing Code: SR67T03

Drawing 1/2 Scale - For Custom Size Drawing Contact Graham

Note: Sealant Not Shown On Details. Refer To General Installation Instructions.



Grid And True Muntin Options

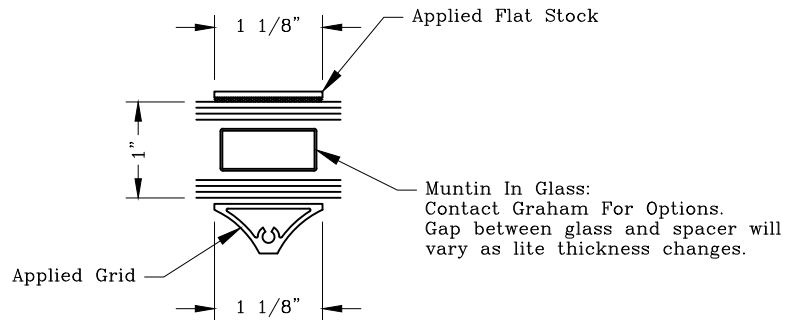
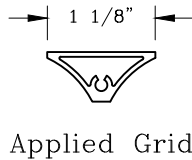


Series: SR6700

Manufacturing Code: SR6710

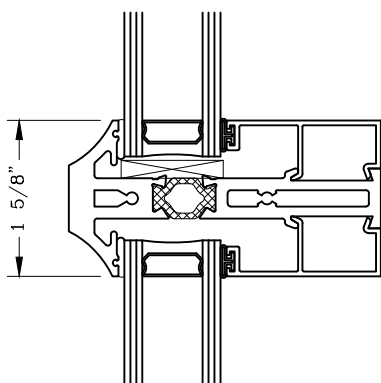
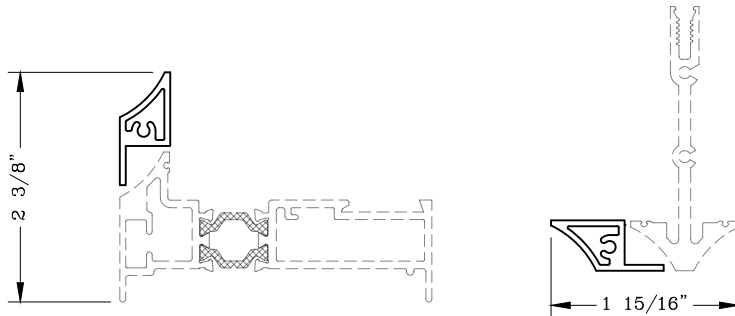
Drawing 1/2 Scale – For Custom Size Drawing Contact Graham

Note: Sealant Not Shown On Details. Refer To General Installation Instructions.

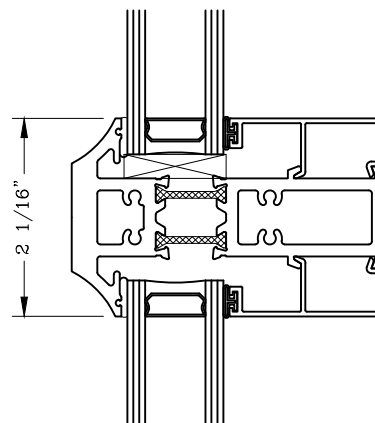


Triple Grid
(1" IG with 1/4"-1/4" Lites Shown)

Vent Sightline Applied Adapter



Fixed/Fixed Intermediate
P/N 675055



Fixed/Fixed Intermediate
P/N 675056

Graham Architectural Products reserves the right to change, add, cancel, remove or otherwise modify the details illustrated without prior notice.

1551 Mt. Rose Avenue, York, Pennsylvania 17403-2909 800/755-6274 Fax: 800/366-5097

Web Site: www.grahamwindows.com

0320 - SR67.10

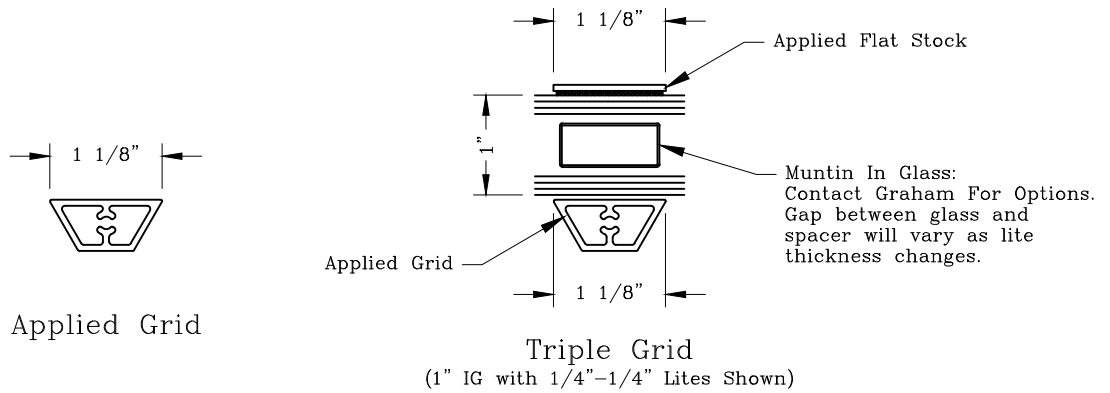
Grid Options



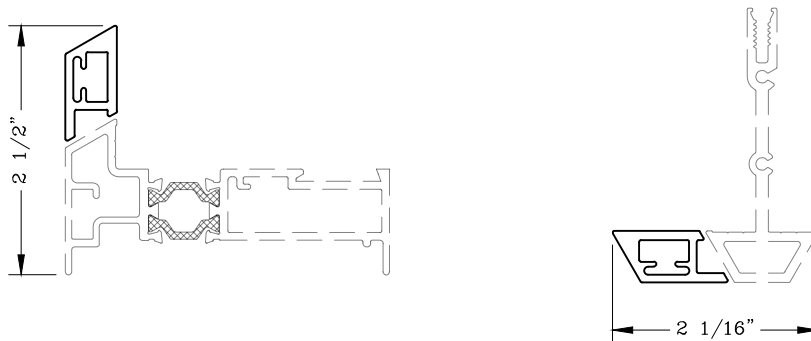
Series: SR6700B Manufacturing Code: SR67B10

Drawing 1/2 Scale – For Custom Size Drawing Contact Graham

Note: Sealant Not Shown On Details. Refer To General Installation Instructions.



Vent Sightline Applied Adapter
(Note: Vent Sightline Adapters Are Tape Applied To Lite)



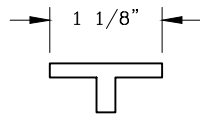
Grid Options



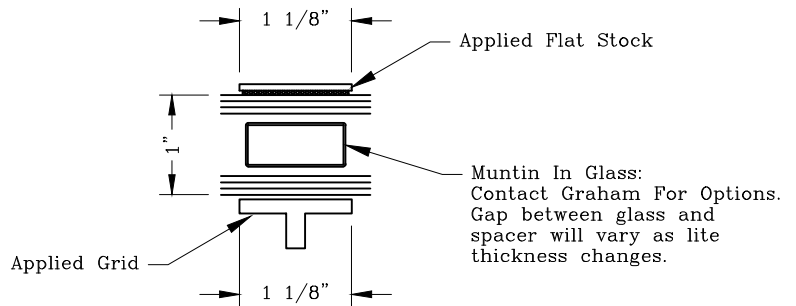
Series: SR6700T Manufacturing Code: SR67T10

Drawing 1/2 Scale – For Custom Size Drawing Contact Graham

Note: Sealant Not Shown On Details. Refer To General Installation Instructions.



Applied Grid
(Note: Applied Grids Are
Tape Applied To Lite)



Triple Grid
(1" IG with 1/4"-1/4" Lites Shown)

Vent Sightline Applied Adapter
(Note: Vent Sightline Adapters Are Tape Applied To Lite)

