

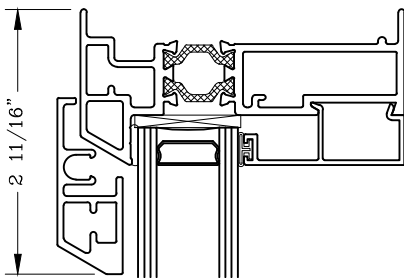
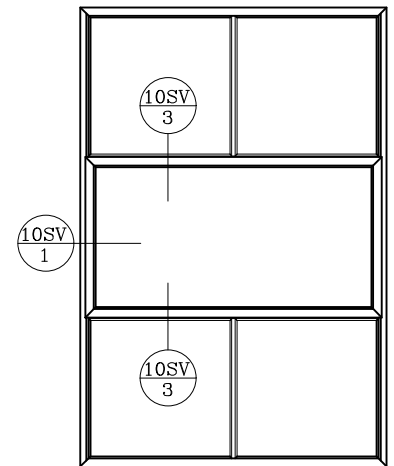
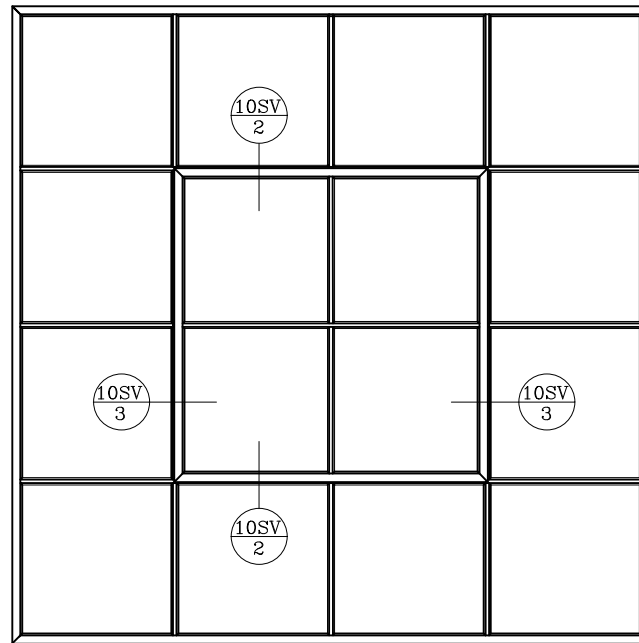
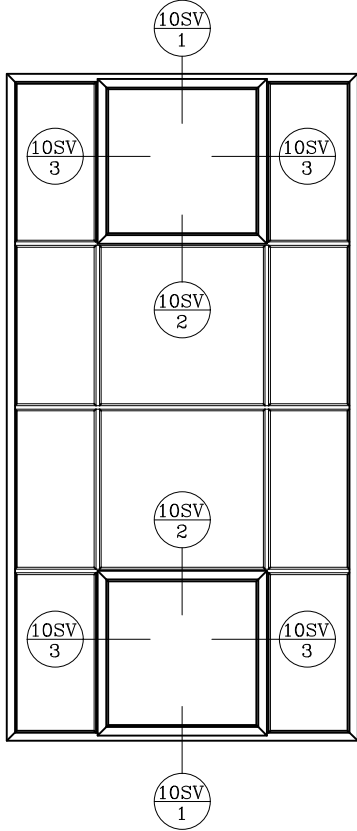
Simulated Vent Options



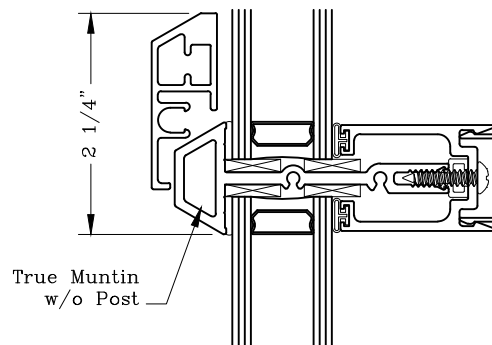
Series: SR6700B Manufacturing Code: SR67B10SV

Drawing 1/2 Scale – For Custom Size Drawing Contact Graham

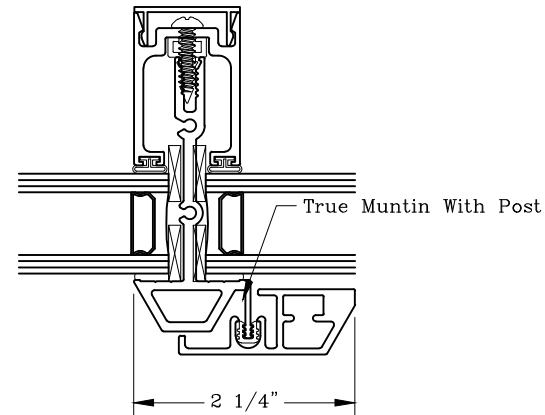
Note: Sealant Not Shown On Details. Refer To General Installation Instructions.



Detail 1
Head Sill or Jamb
See Elevation For
Locations



Detail 2
Horizontal or Vertical
See Elevation For
Locations



Detail 3
Horizontal or Vertical
See Elevation For
Locations

Note:

- Simulated Vent #674067 attachment to true muntin with gasket post
- Gasket post must be on (2) opposite sides

Graham Architectural Products reserves the right to change, add, cancel, remove or otherwise modify the details illustrated without prior notice.

1551 Mt. Rose Avenue, York, Pennsylvania 17403-2909 717.849.8100 Toll Free: 800/755-6274 0923 – SR67B.10SV

Web Site: www.grahamwindows.com