

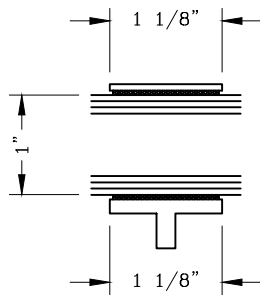
Grid Options



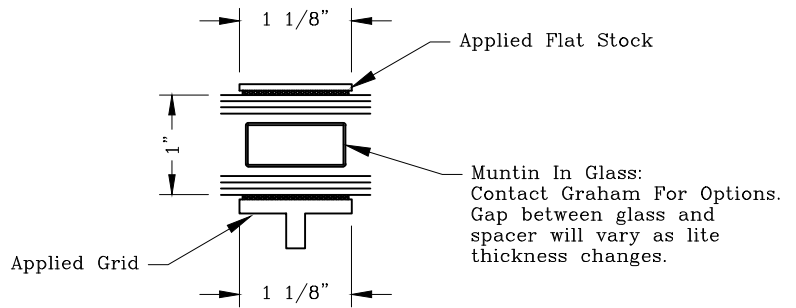
Series: SR6700T Manufacturing Code: SR67T10

Drawing 1/2 Scale – For Custom Size Drawing Contact Graham

Note: Sealant Not Shown On Details. Refer To General Installation Instructions.



Applied Grid
(Note: Applied Grids Are Tape Applied To Lite)



Triple Grid
(1" IG with 1/4"-1/4" Lites Shown)

Vent Sightline Applied Adapter

(Note: Vent Sightline Adapters Are Tape Applied To Lite)

