

# Simulated Vent Options

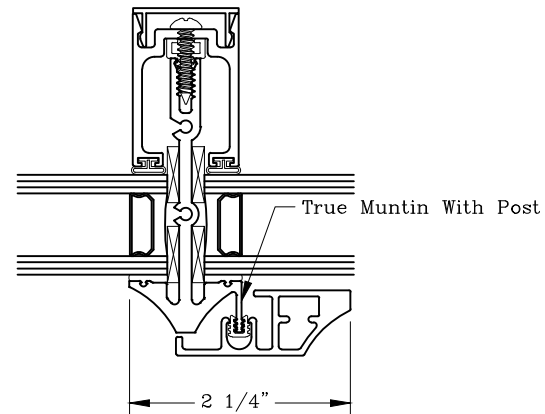
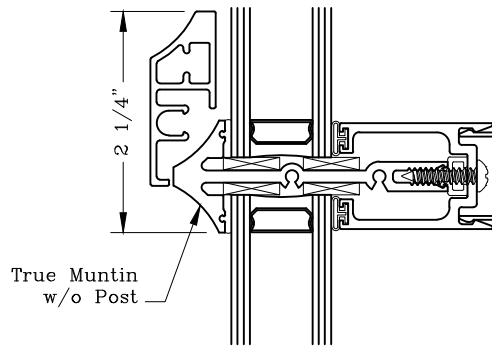
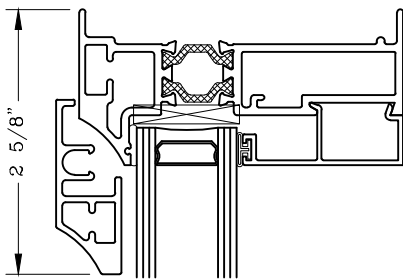
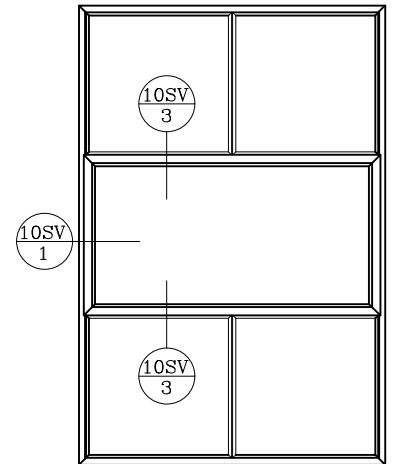
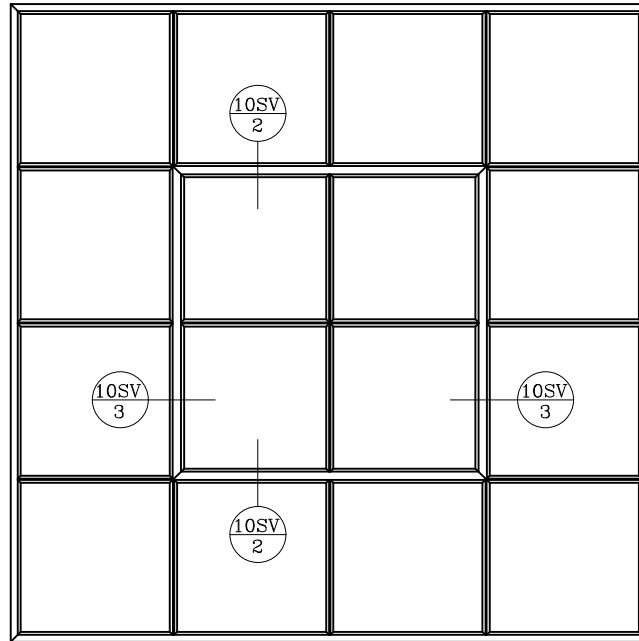
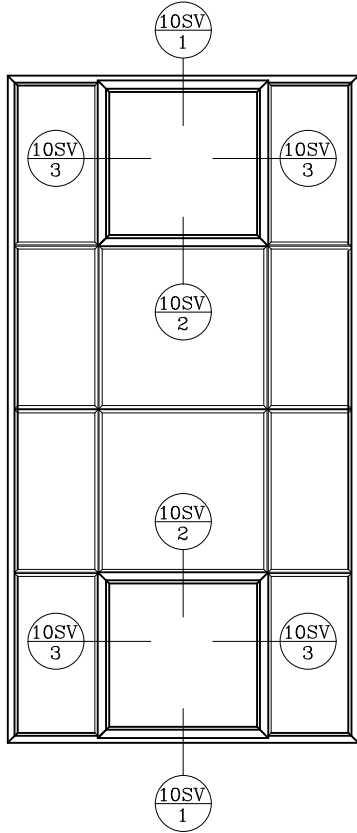


Series: SR6700

Manufacturing Code: SR6710SV

Drawing 1/2 Scale – For Custom Size Drawing Contact Graham

Note: Sealant Not Shown On Details. Refer To General Installation Instructions.



Detail 1  
Head Sill or Jamb  
See Elevation For  
Locations

Detail 2  
Horizontal or Vertical  
See Elevation For  
Locations

Detail 3  
Horizontal or Vertical  
See Elevation For  
Locations

Note:

- Simulated Vent #675067 attachment to true muntin with gasket post
- Gasket post must be on (2) opposite sides

Graham Architectural Products reserves the right to change, add, cancel, remove or otherwise modify the details illustrated without prior notice.

1551 Mt. Rose Avenue, York, Pennsylvania 17403-2909 717.849.8100 Toll Free: 800/755-6274

0923 – SR67.10SV

Web Site: [www.grahamwindows.com](http://www.grahamwindows.com)