

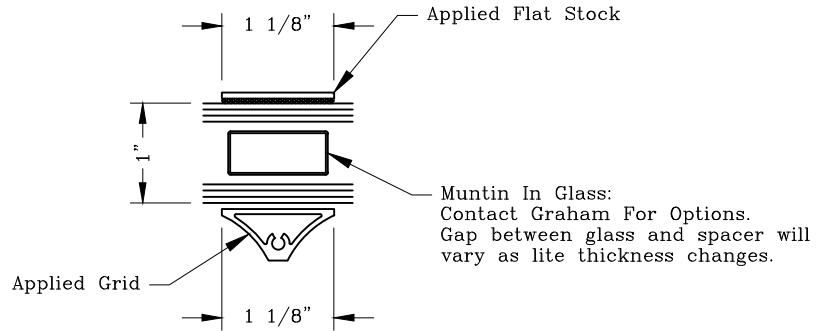
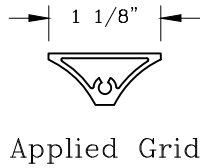
Grid And True Muntin Options



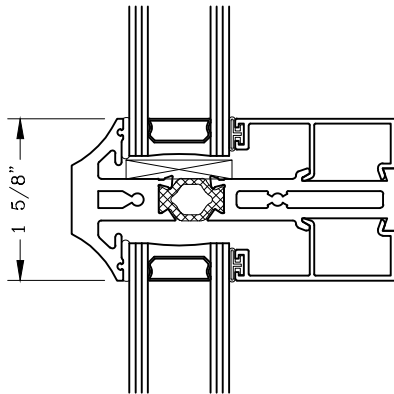
Series: SR6700 Manufacturing Code: SR6710

Drawing 1/2 Scale – For Custom Size Drawing Contact Graham

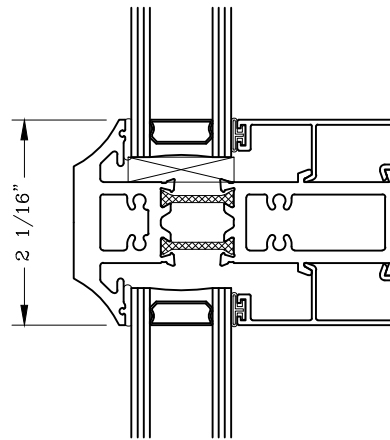
Note: Sealant Not Shown On Details. Refer To General Installation Instructions.



Triple Grid
(1" IG with 1/4"-1/4" Lites Shown)



Fixed/Fixed Intermediate
P/N 675055



Fixed/Fixed Intermediate
P/N 675056