

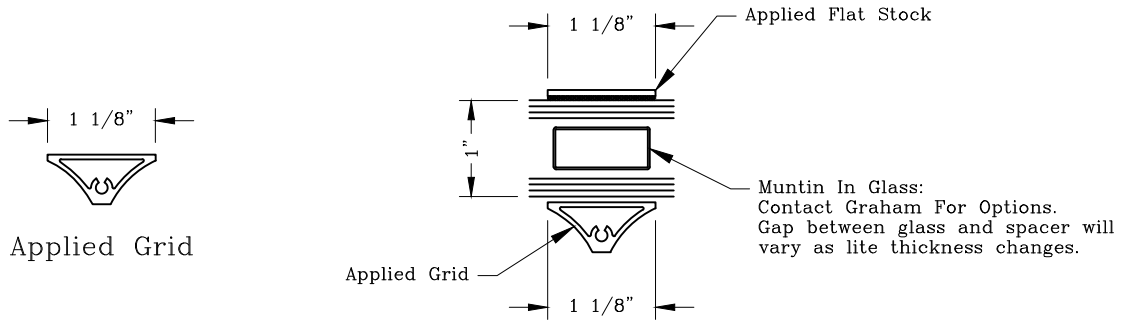
# Grid And True Muntin Options



Series: SR6700      Manufacturing Code: SR6710

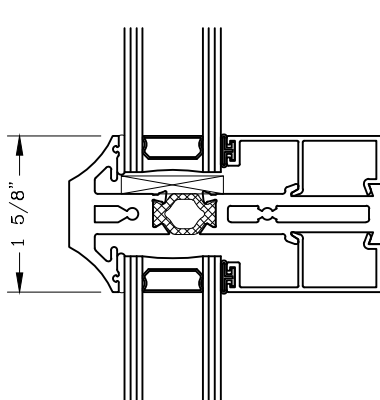
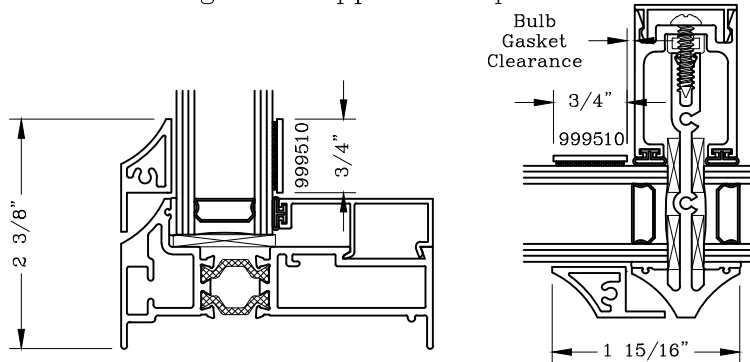
Drawing 1/2 Scale – For Custom Size Drawing Contact Graham

Note: Sealant Not Shown On Details. Refer To General Installation Instructions.

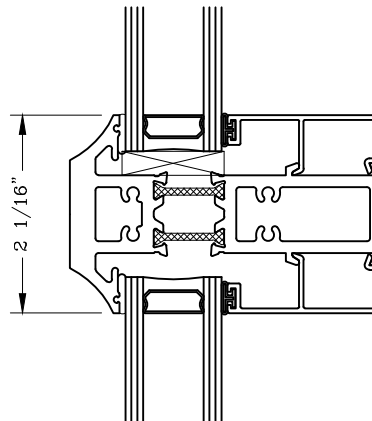


Triple Grid  
(1" IG with 1/4"-1/4" Lites Shown)

## Vent Sightline Applied Adapter



Fixed/Fixed Intermediate  
P/N 675055



Fixed/Fixed Intermediate  
P/N 675056

Graham Architectural Products reserves the right to change, add, cancel, remove or otherwise modify the details illustrated without prior notice.

1551 Mt. Rose Avenue, York, Pennsylvania 17403-2909 800/755-6274 Fax: 800/366-5097

Web Site: [www.grahamwindows.com](http://www.grahamwindows.com)

1221 - SR67.10