

ARCHITECTURAL SUNSHADES

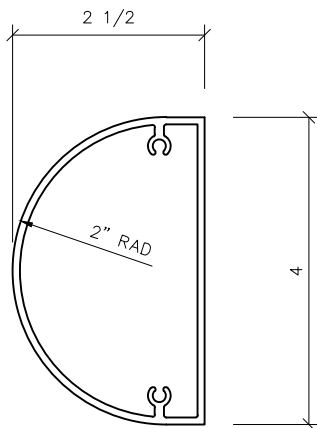


Series:

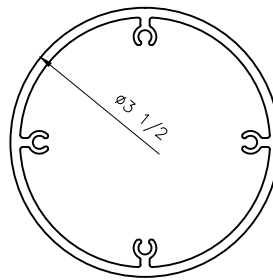
Drawing No Scale – For Custom Size Drawing Contact Graham

Note: Consult Technical Services At Factory For Sealing Procedures.

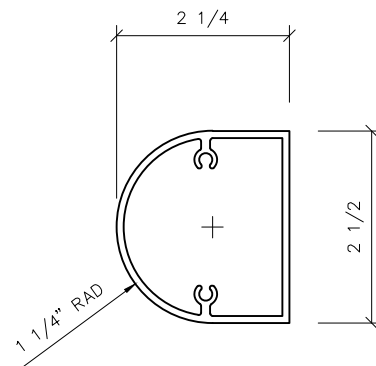
Architectural Sunshades Standard Blade Profiles, No Scale



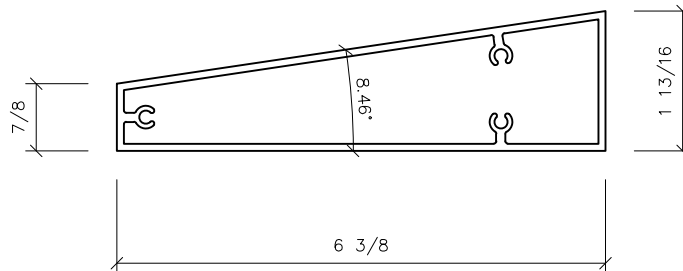
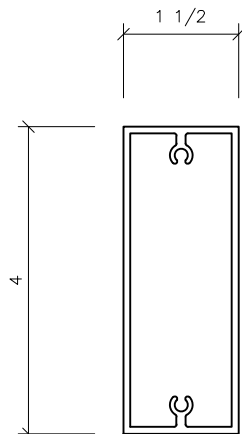
4" WIDE ROUND



3 1/2" ROUND



2 1/2" WIDE ROUND



WEDGE