

ARCHITECTURAL SUNSHADES

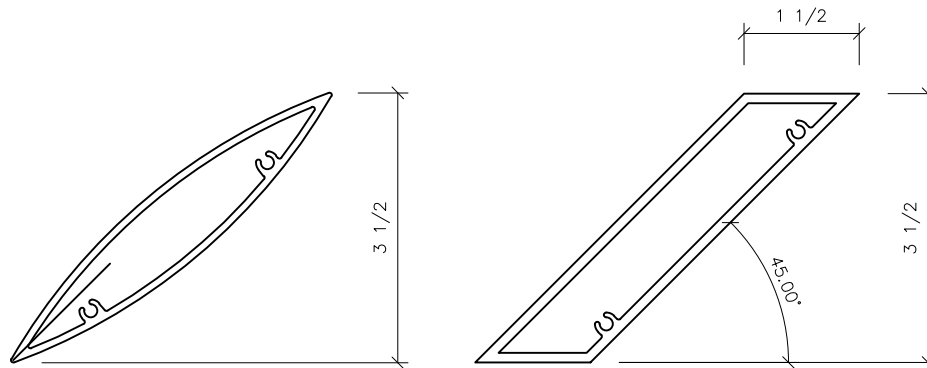


Series:

Drawing No Scale – For Custom Size Drawing Contact Graham

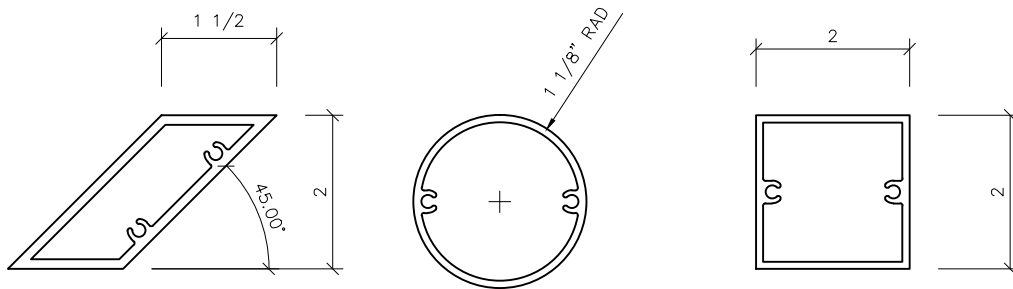
Note: Consult Technical Services At Factory For Sealing Procedures.

Architectural Sunshades Standard Blade Profiles, No Scale



3 1/2" AIRFOIL

1 1/2"x3 1/2" PLANER



1 1/2"x2" PLANER

2 1/4" DIAMETER

2" SQUARE

